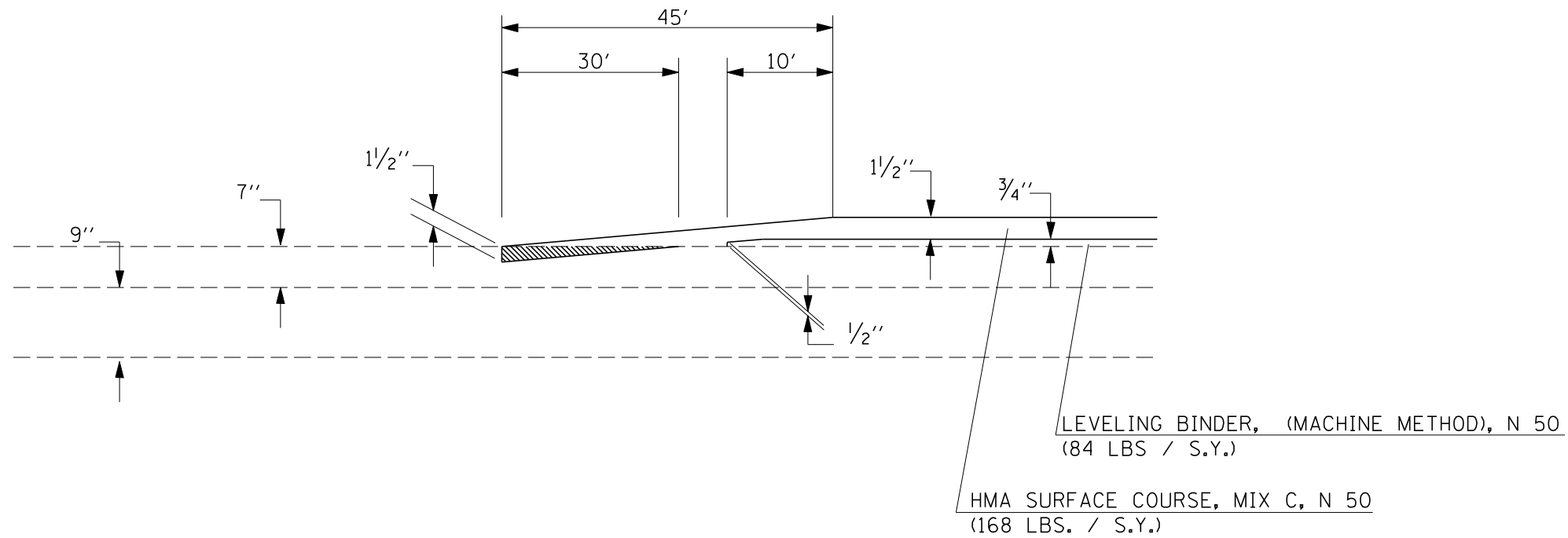


F.A.P. RTE.	SECTION	COUNTY	TOTAL SHEETS	SHEET NO.
840	(121,122)RS-3	VERMILION	89	53
STA.		TO STA.		
FED. ROAD DIST. NO.	ILLINOIS	FED. AID PROJECT		

DETAIL OF HMA SURFACE REMOVAL - BUTT JOINT

STATION	TO	STATION	LOCATION
765+00		765+30	SOUTH LIMIT
855+56		855+86	S.N. 092-0101 (SOUTH)
860+32		860+62	S.N. 092-0101 (NORTH)
1279+80		1280+10	NORTH LIMIT



 HMA SURFACE REMOVAL - BUTT JOINT

REVISIONS	
NAME	DATE

ILLINOIS DEPARTMENT OF TRANSPORTATION

DETAIL OF HMA SURFACE REMOVAL - BUTT JOINT & TRANSITION

SCALE: VERT. / HORIZ. DATE

DRAWN BY / CHECKED BY