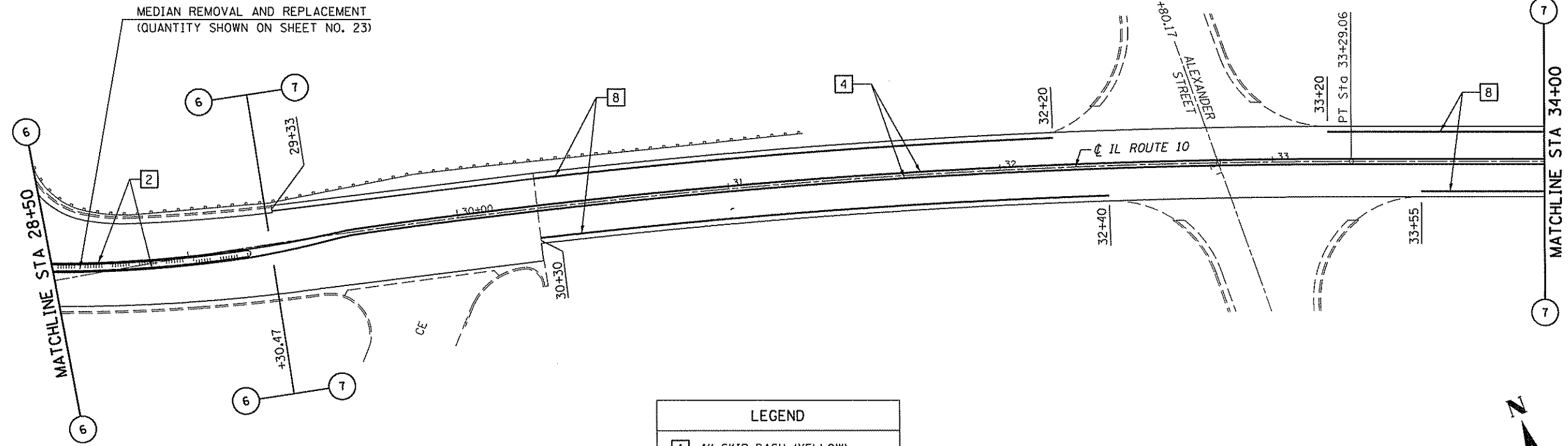
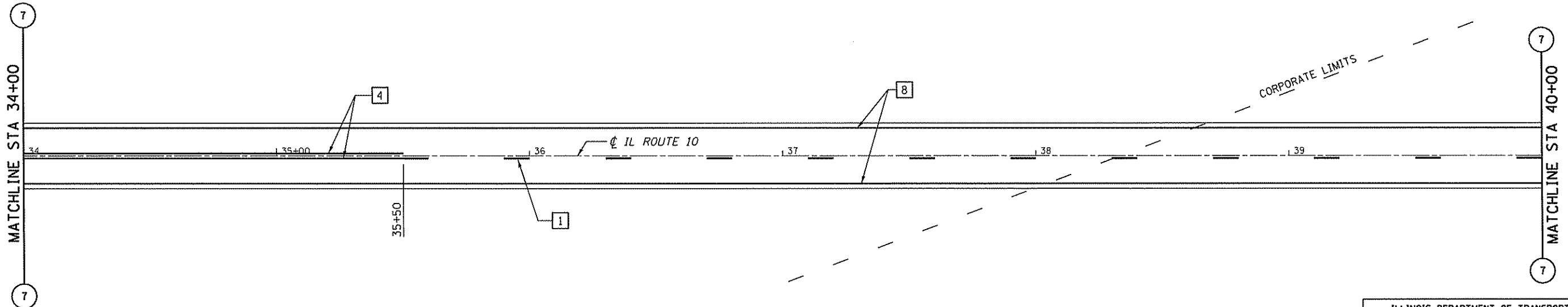


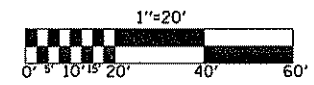
| | | | | |
|---------------------|----------|------------------|--------------|-----------|
| CONTRACT NO. 70266 | | | | |
| F.A.P. RTE. | SECTION | COUNTY | TOTAL SHEETS | SHEET NO. |
| 721 | 113RS-3 | DEWITT | 34 | 24 |
| STA. 28+50 | | TO STA. 40+00 | | |
| FED. ROAD DIST. NO. | ILLINOIS | FED. AID PROJECT | | |



| LEGEND | |
|--------|---------------------------|
| 1 | 4" SKIP-DASH (YELLOW) |
| 2 | 4" SOLID (YELLOW) |
| 4 | 4" DOUBLE YELLOW (NARROW) |
| 8 | 4" SOLID (WHITE) |



PLOT DATE = 10/21/2007
 FILE NAME = c:\pvc\pav\113rs3\113rs3_24.dgn
 PLOT SCALE = 1/4" = 20'
 USER NAME = collinsb



ILLINOIS DEPARTMENT OF TRANSPORTATION
**PLAN, PAVEMENT MARKING
 & SIGNAL LOOP DETAILS**
 F.A.P. ROUTE 721 (IL 54)
 SECTION 113RS-3
 DEWITT COUNTY
 SCALE: 1" = 20'
 DATE: 06/05/07
 DRAWN BY: JRP
 CHECKED BY: