

PAVEMENT MARKINGS AT RAILROAD-HIGHWAY GRADE CROSSING

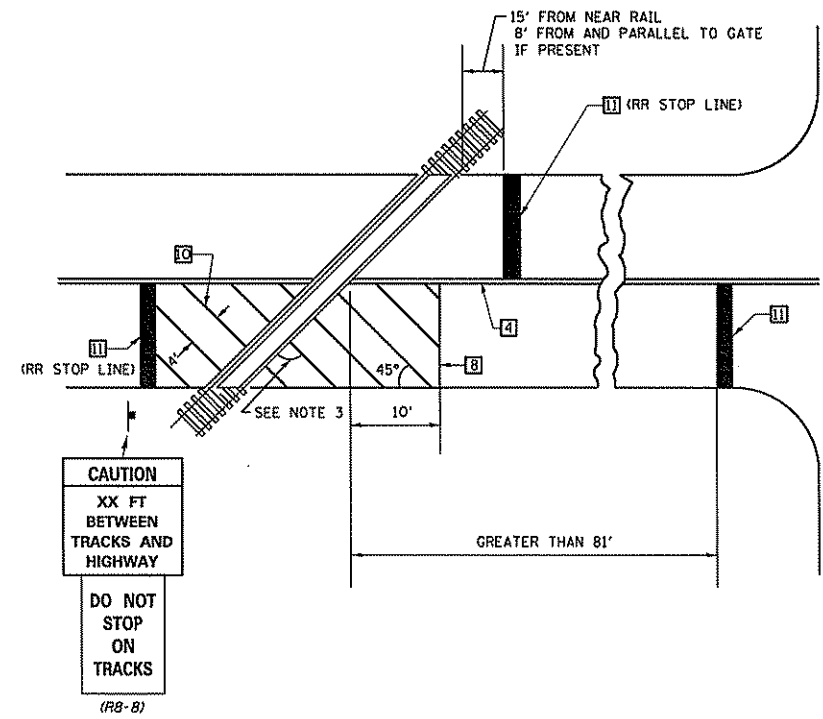
NOTES

THE TRAVERSE SPREAD OF THE "X" MAY VARY ACCORDING TO LANE WIDTH.

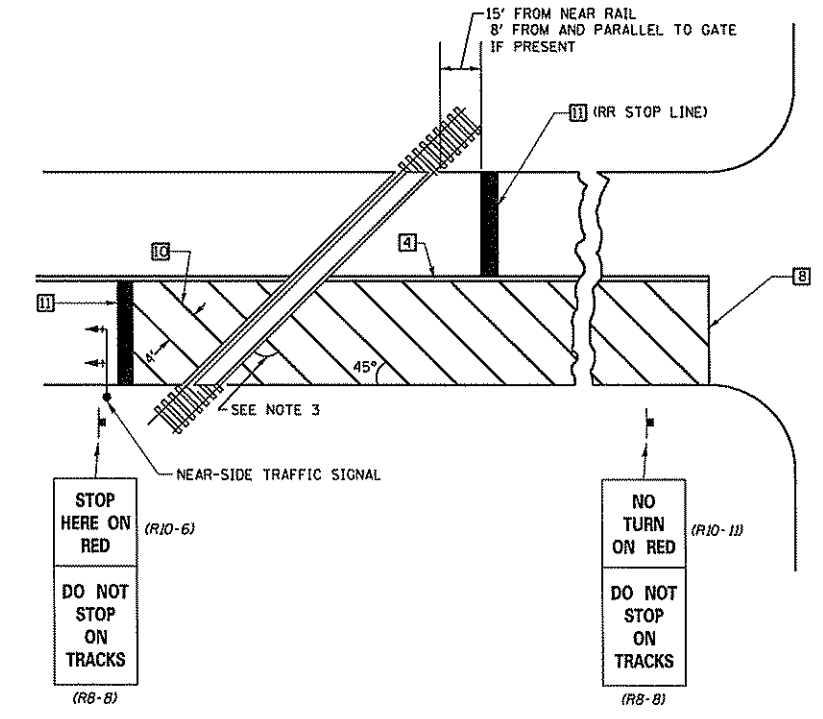
ON MULTI-LANE ROADS, THE STOP LINES SHALL EXTEND ACROSS ALL APPROACH LANES AND SEPARATE R XR SYMBOLS SHALL BE PLACED ADJACENT TO EACH OTHER IN EACH LANE.

WHEN THE PAVEMENT MARKING SYMBOL IS USED, A PORTION OF THE SYMBOL SHOULD BE LOCATED DIRECTLY ADJACENT TO THE ADVANCE WARNING SIGN (W10-1) AS PLACED BY TABLE 11-1, CONDITION B OF THE MUTCD.

RAILROAD CROSSING WITH INTERCONNECT ONLY



RAILROAD CROSSING WITH INTERCONNECT AND PRE-SIGNALS

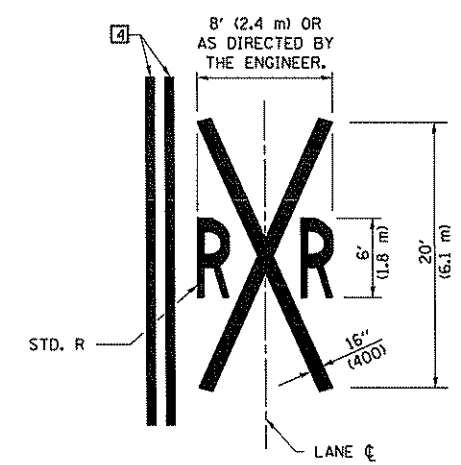


SUPPLEMENTAL PAVEMENT MARKING TREATMENT FOR RAILROAD-HIGHWAY GRADE CROSSING

GENERAL NOTES

- SUPPLEMENTAL PAVEMENT MARKINGS TO BE INSTALLED ONLY ON APPROACHES TO INTERSECTIONS CONTROLLED BY TRAFFIC SIGNALS WHICH ARE INTERCONNECTED WITH THE RAILROAD WARNING SIGNALS.
- EXTEND PAVEMENT MARKINGS TO THE INTERSECTION ONLY WHERE NEAR-SIDE TRAFFIC SIGNALS ARE USED.
- WHERE THE ANGLE BETWEEN THE DIAGONAL PAVEMENT MARKINGS AND THE TRACK WOULD BE LESS THAN 20°, THE PAVEMENT MARKINGS SHOULD BE PLACED IN THE OPPOSITE DIRECTION FROM THAT SHOWN.

Note: All dimensions are in INCHES (millimeters) unless otherwise shown.



DATE	REVISIONS	NAME
11/06	REPLACED DETAIL F-5.25	TJB

ILLINOIS DEPARTMENT OF TRANSPORTATION

PAVEMENT MARKING AND MARKERS (RURAL & URBAN APPLICATIONS)

DISTRICT 5 DETAIL NO. 7800AAAA

PLOT DATE = 10/21/2007
FILE NAME = c:\pwork\113rs\113rs3\sheet4.dgn
PLOT SCALE = 1/1" = 100'
USER NAME = collinsb