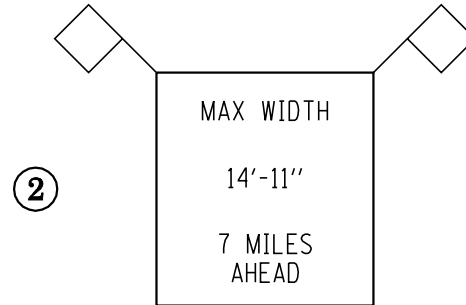
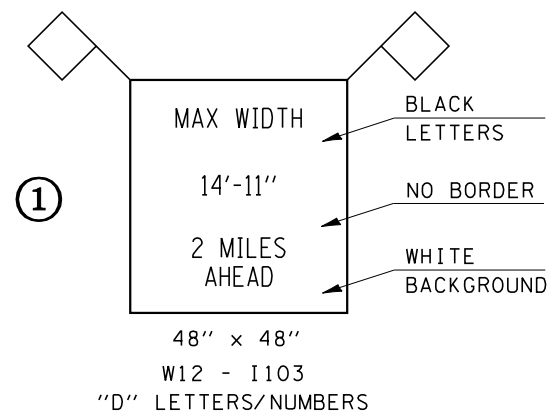
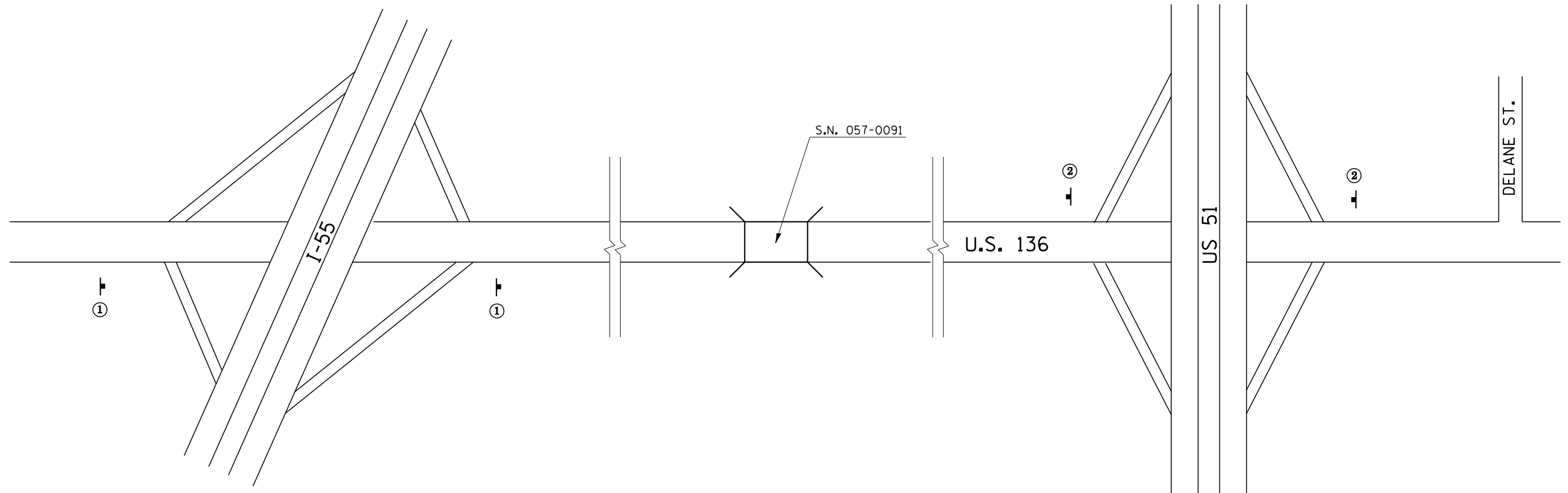


**WIDTH RESTRICTION SIGNING DETAIL
STAGE II
FOR S.N. 057-0091 OVER PRAIRIE CREEK**



FILE NAME = c:\projects\d504807 (v8)\70699details.dgn	USER NAME = collierbw	DESIGNED -	REVISED -	STATE OF ILLINOIS DEPARTMENT OF TRANSPORTATION	WIDTH RESTRICTION SIGNING DETAIL - S.N. 057-0091			F.A. RTE.	SECTION	COUNTY	TOTAL SHEETS	SHEET NO.
	PLOT SCALE = 40.0000' / IN.	CHECKED -	REVISED -								26	15
PLOT DATE = 10/25/2007	DATE -	REVISED -		SCALE:	SHEET NO.	OF SHEETS	STA.	TO STA.	• D5 BEAM REPLACE 2008-1 FED. ROAD DIST. NO. ILLINOIS FED. AID PROJECT			