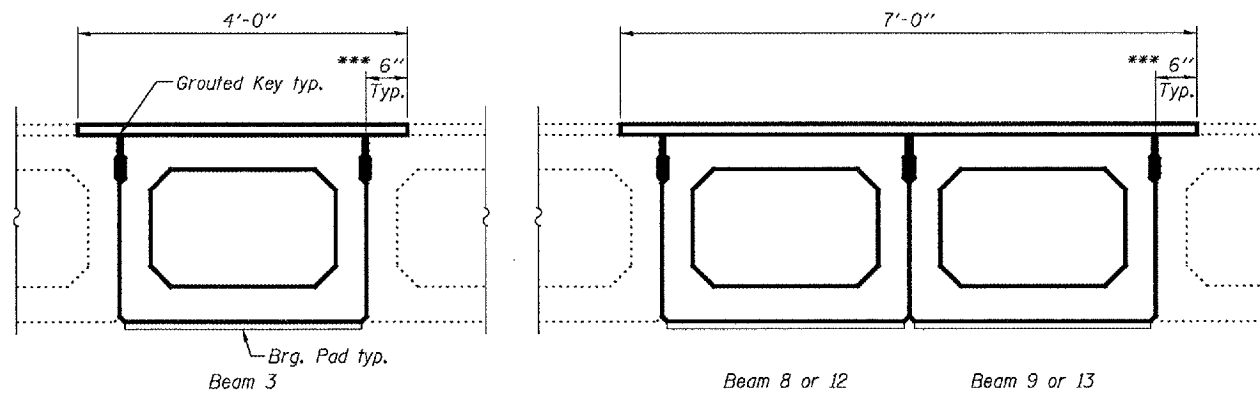


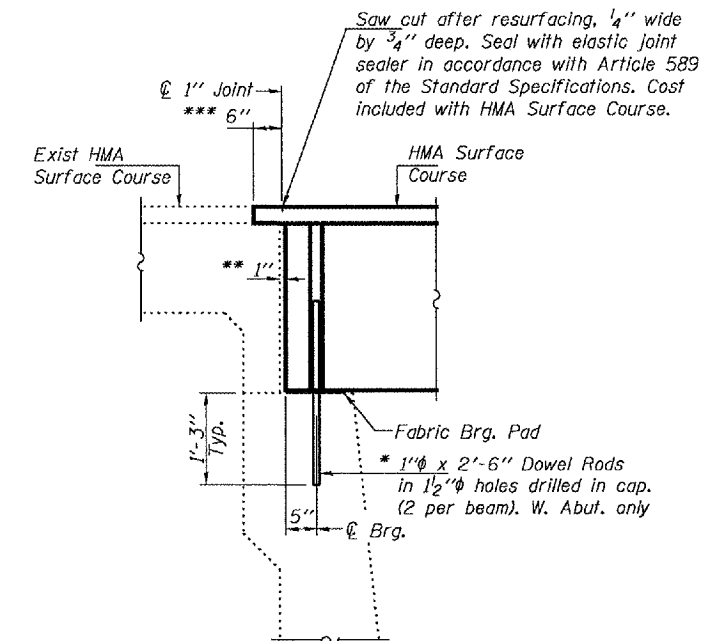
STATE OF ILLINOIS
DEPARTMENT OF TRANSPORTATION

ROUTE NO.	SECTION	COUNTY	SHEET NO.	SHEET	SHEET NO. 3 3 SHEETS
SBI 119		CHAMPAIGN	26	18	
FED. ROAD DIST. NO. 7	ILLINOIS	FED. AID PROJECT	Contract Number: 70669		



PARTIAL CROSS SECTION
(Looking East)

*** Limits of HMA Surface Removal.
Existing waterproofing to remain.
Lap new waterproofing 6" over
existing.



TYPICAL SECTION AT ABUTMENTS

* Existing dowel rods are to be burned off, ground flush, and sealed with epoxy prior to placement of new beams. Cost included in Removal of Existing PPC Deck Beams. After beams have been erected holes shall be drilled into cap and dowel rods placed. Dowel holes shall be filled with non-shrink grout to top of beam and allowed to cure a minimum of 24 hours prior to grouting the shear keys.
** 1" Joint shall be filled with non-shrink grout. Dimension may vary to accommodate tolerance in beam lengths.

DESIGNED	VHV
CHECKED	SJB
DRAWN	baliva
CHECKED	VHV SJB

NOVEMBER 5, 2007
EXAMINED *Carl Hoyer*
ENGINEER OF STRUCTURAL SERVICES
PASSED *Ralph E. Anderson*
ENGINEER OF BRIDGES AND STRUCTURES

REPAIR DETAILS
SBI 119
CHAMPAIGN COUNTY
SN 010-0062