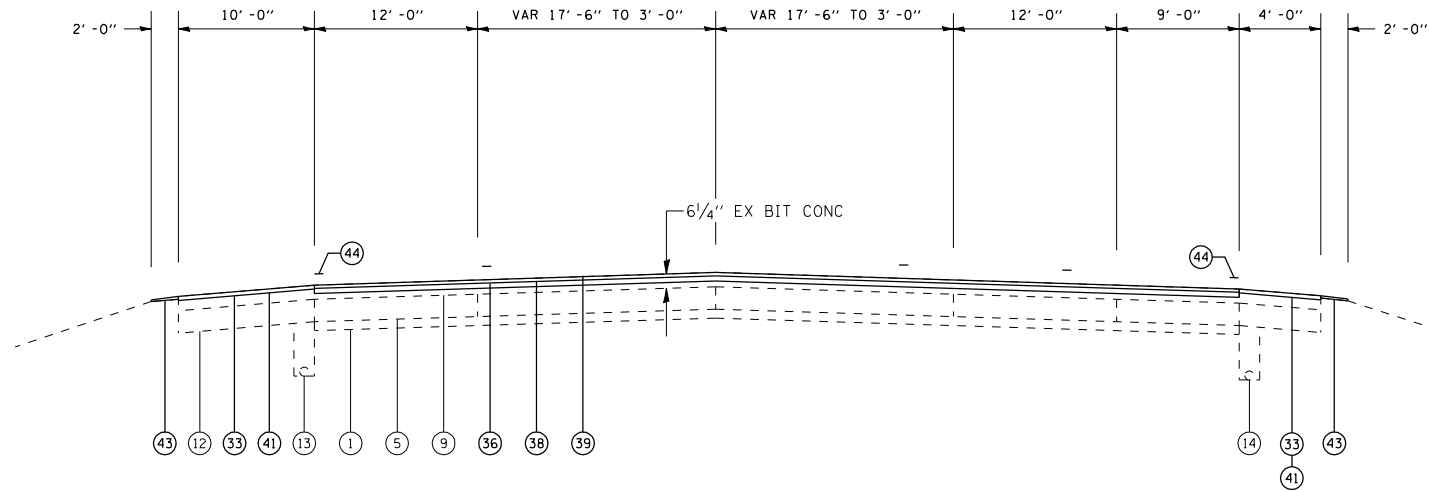
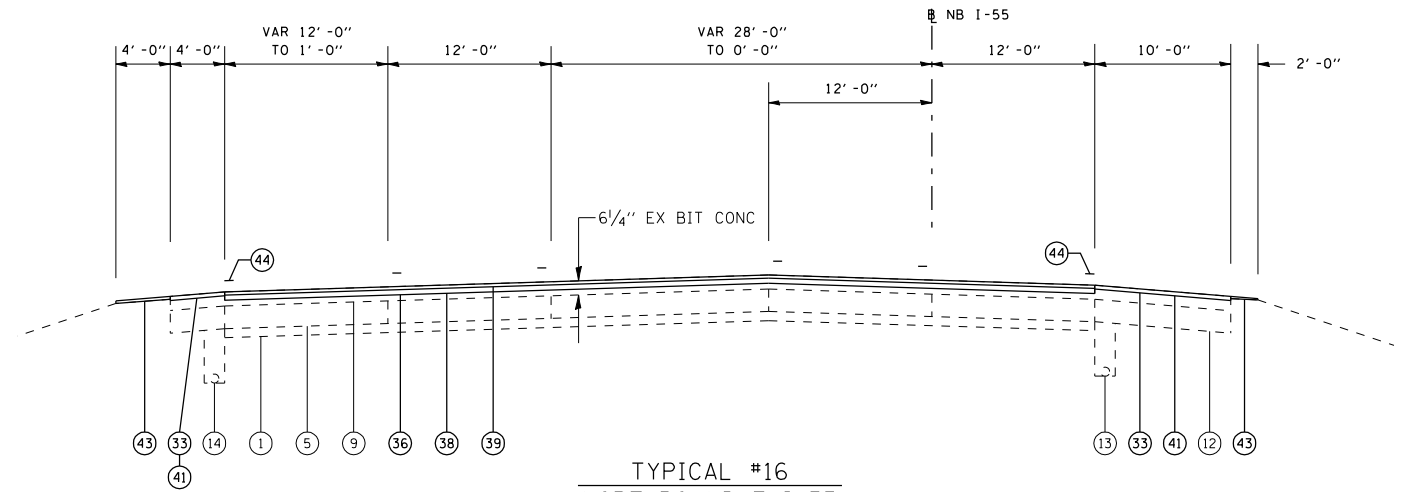


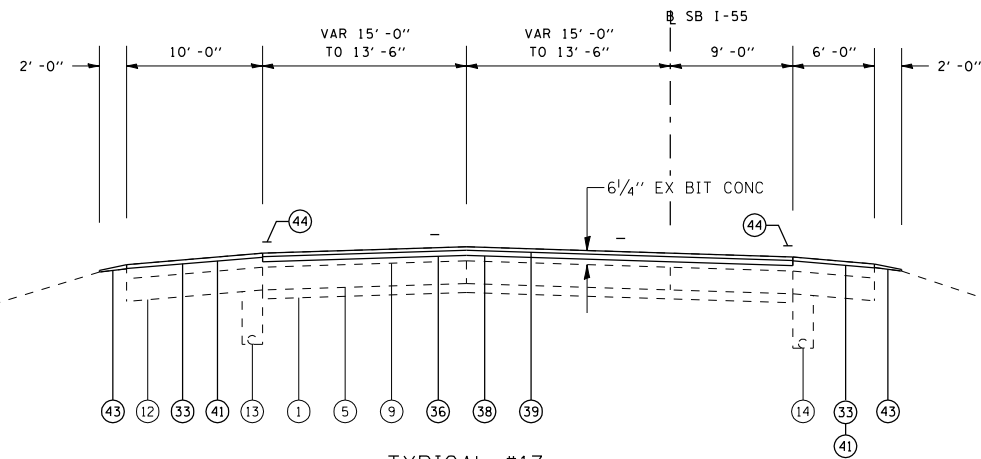
F.A.I. RTE.	SECTION	COUNTY	TOTAL SHEETS	SHEET NO.
*	**	SANGAMON	248	15
STA.		TO STA.		
FED. ROAD DIST. NO.	ILLINOIS	FED. AID PROJECT		
* FA155(I-55), FA172(I-72), FAP666(I-55 BUS) ** D6 INTERSTATE RS,BR,M CAB 2008				



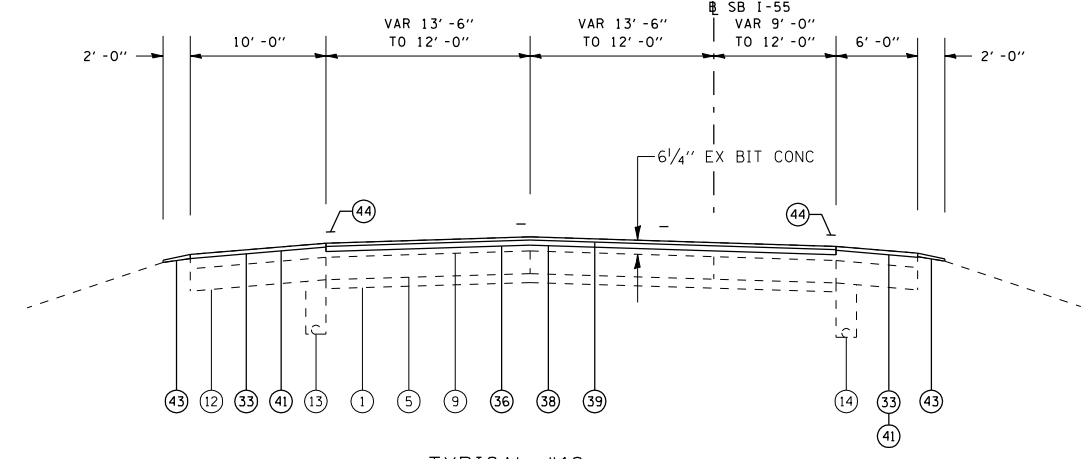
TYPICAL #15  
SOUTHBOUND FAI 55  
STA 64+32.03 TO 74+87



TYPICAL #16  
NORTHBOUND FAI 55  
STA 64+66.59 TO 98+11



TYPICAL #17  
SOUTHBOUND FAI 55  
STA 74+87 TO 77+88



TYPICAL #18  
SOUTHBOUND FAI 55  
STA 77+88 TO 80+88

LEGEND

- |  |  |   |
|--|--|---|
| ① EX STABILIZED SUB-BASE 4"              | ⑮ EX TEMPORARY CONCRETE BARRIER WALL         | ⑳ PR POLYMERIZED HOT-MIX ASPHALT BINDER COURSE, IL-19.0, N105 2 1/4"  |
| ② EX AGGREGATE SUB-BASE 4"               | ⑯ EX BITUMINOUS CONCRETE PAVEMENT 18"        | ㉑ PR POLYMERIZED HOT-MIX ASPHALT SURFACE COURSE, MIX "E", N105 1 1/2" |
| ③ EX OPEN GRADED DRAINAGE LAYER 4"       | ⑰ EX PCC BASE COURSE 9"                      | ④① PR POLYMERIZED HOT-MIX ASPHALT SURFACE COURSE, MIX "E", N105 2"    |
| ④ EX SUB-BASE GRANULAR MATERIAL 12"      | ⑱ EX PCC PAVEMENT 8" STD REINFORCEMENT       | ④② PR HOT-MIX ASPHALT SURFACE COURSE, MIX "C", N30 2"                 |
| ⑤ EX PCC PAVEMENT 10"                    | ⑲ EX PCC PAVEMENT 10" STD REINFORCEMENT      | ④③ PR HOT-MIX ASPHALT SHOULDERS, 4"                                   |
| ⑥ EX PCC BASE COURSE 10"                 | ⑳ EX PCC PAVEMENT 9-7-9                      | ④④ PR AGGREGATE SHOULDERS, TYPE B                                     |
| ⑦ EX CRPCC PAVEMENT 11 3/4"              |  | ④⑤ PR PAVEMENT MARKING  |
| ⑧ EX CRPCC PAVEMENT (7" WBL, 8" EBL)     | ⑳ PR HOT-MIX ASPHALT SURFACE REMOVAL, 3/4"   | ④⑥ PR FURNISHED EXCAVATION  |
| ⑨ EX BIT SURFACE COURSE (THICK VARIES)   | ㉑ PR HOT-MIX ASPHALT SURFACE REMOVAL, 1 1/2" | ④⑦ PR HIGH TENSION CABLE MEDIAN BARRIER                               |
| ⑩ EX AGGREGATE SHOULDERS                 | ㉒ PR HOT-MIX ASPHALT SURFACE REMOVAL, 2"     |   |
| ⑪ EX PCC SHOULDERS 11 3/4"               | ㉓ PR HOT-MIX ASPHALT SURFACE REMOVAL, 2 1/2" |   |
| ⑫ EX BITUMINOUS SHOULDERS (THICK VARIES) | ㉔ PR HOT-MIX ASPHALT SURFACE REMOVAL, 3 1/4" |   |
| ⑬ EX PIPE UNDERDRAINS 4"                 | ㉕ PR HOT-MIX ASPHALT SURFACE REMOVAL, 3 3/4" |   |
| ⑭ EX PIPE UNDERDRAINS 6"                 | ㉖ PR HOT-MIX ASPHALT SURFACE REMOVAL, 5"     |   |

PAVED SHOULDER SLOPE  
4.0% CROSS SLOPE IS DESIRABLE ON NORMAL CROWN SECTIONS  
  
ON THE HIGH SIDE OF SUPERELEVATED CURVES, SLOPE THE SHOULDER SO THAT THE ALGEBRETIC DIFFERENCE BETWEEN THE PAVEMENT AND SHOULDERS ARE NOT GREATER THAN 8%  
  
ON THE LOW SIDE OF SUPERELEVATED CURVES, SLOPE THE SHOULDER 4% UNLESS THE SUPER ELEVATED SECTION IS GREATER THAN 4% THEN MATCH SUPERELEVATED SLOPE

PAVEMENT SLOPE  
1.5% CROSS SLOPE IS DESIRABLE ON CROWN SECTIONS  
  
MATCH EXISTING SLOPE ON SUPERELEVATED SECTIONS UNLESS OTHERWISE NOTED

REVISIONS	
NAME	DATE

ILLINOIS DEPARTMENT OF TRANSPORTATION  
TYPICAL SECTIONS  
FAI55(I-55), FA172(I-72), FAP666(I-55 BUS)  
SECTION D6 INTERSTATE RS,BR,M CAB 2008  
SANGAMON COUNTY

SCALE: \_\_\_\_\_ DRAWN BY \_\_\_\_\_  
DATE \_\_\_\_\_ CHECKED BY \_\_\_\_\_