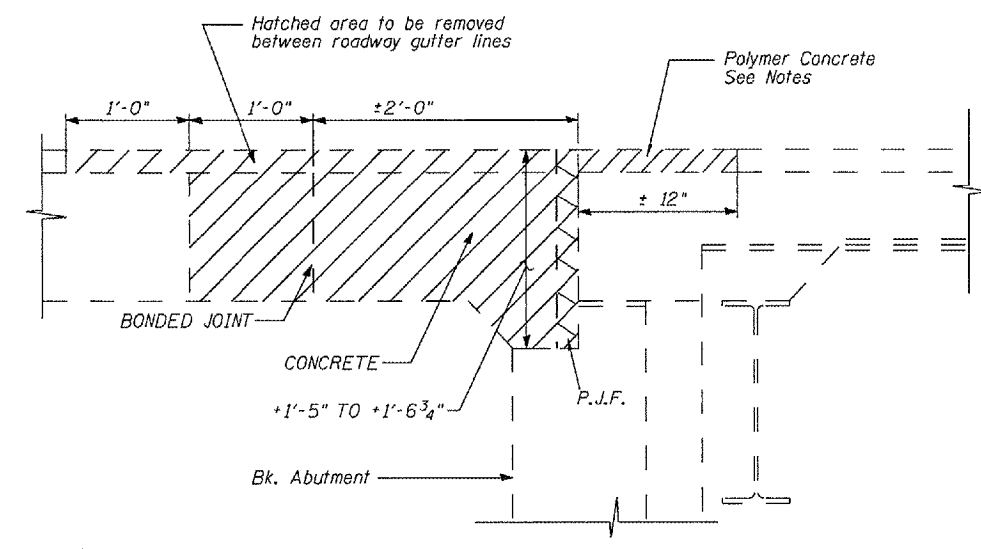
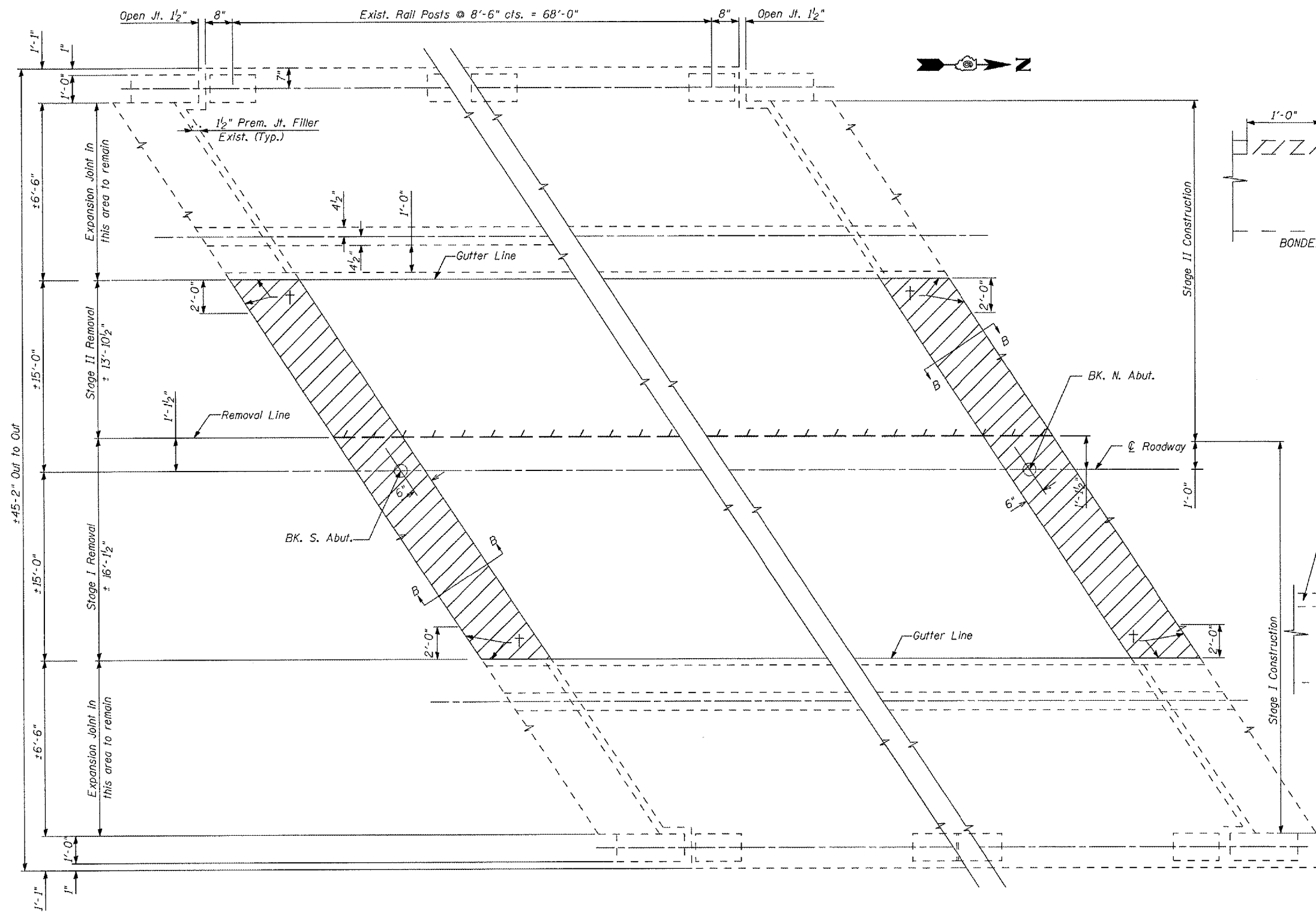


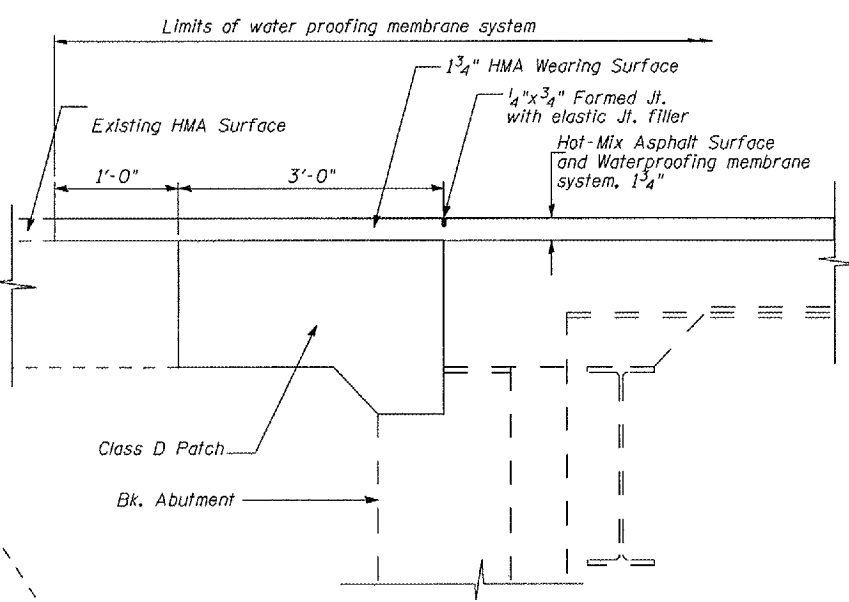
STATE OF ILLINOIS
DEPARTMENT OF TRANSPORTATION

ROUTE NO.	SECTION	COUNTY	TOTAL SHEETS	SHEET	SHEET NO.
*	**	Sangamon	248	237	5
9 SHEETS					

Contract # 72659
* FAI 55 (I-55), FAI 72 (I-72) FAP 666 (I-55 BUS)
** D6 Interstate RS, BR, M CAB 2008



SECTION AT ABUTMENT
SHOWING EXISTING JOINT
(SECTION B-B)



SECTION AT ABUTMENT
SHOWING NEW JOINT
(SECTION B-B)

PARTIAL PLAN

Notes:
Cost of Removal of polymer concrete is included in the item "Hot-Mix Asphalt Surface Removal (Deck)" cost of concrete Removal in P.C.C. pavement is included in "Class D Patches Type II, 16".
Hatched area indicates area of concrete removal. Cost included in "Class D Patches, Type II 16".

DESIGNED	- KRG
CHECKED	- MJK
DRAWN	- GSJ
CHECKED	- MJK

† Saw cut to remove the existing concrete shoulder pavement of gutter.
Cost of saw cutting included in item "Class D Patches Type II, 16".

EXPANSION JOINT REMOVAL DETAILS
WEST LAKE SHORE DRIVE OVER FAI 55 (I-55)
SECTION: D6 INTERSTATE RS, BR, M CAB 2008
SANGAMON COUNTY
Sta. 15+08.98
SN 084-0092