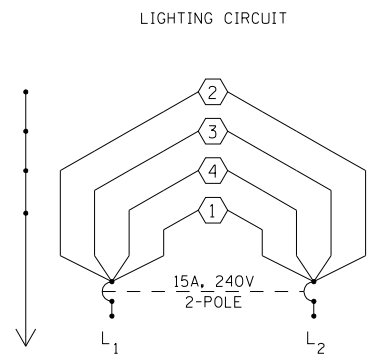
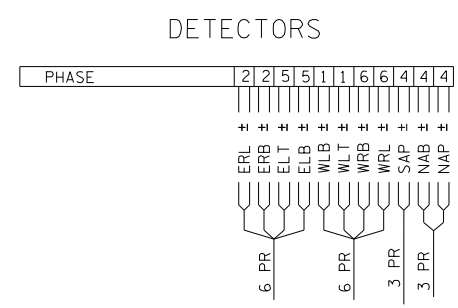
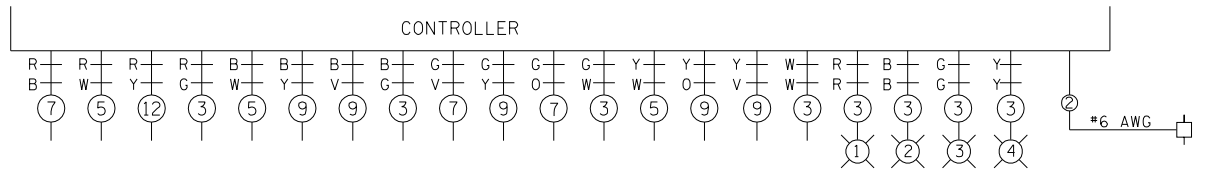
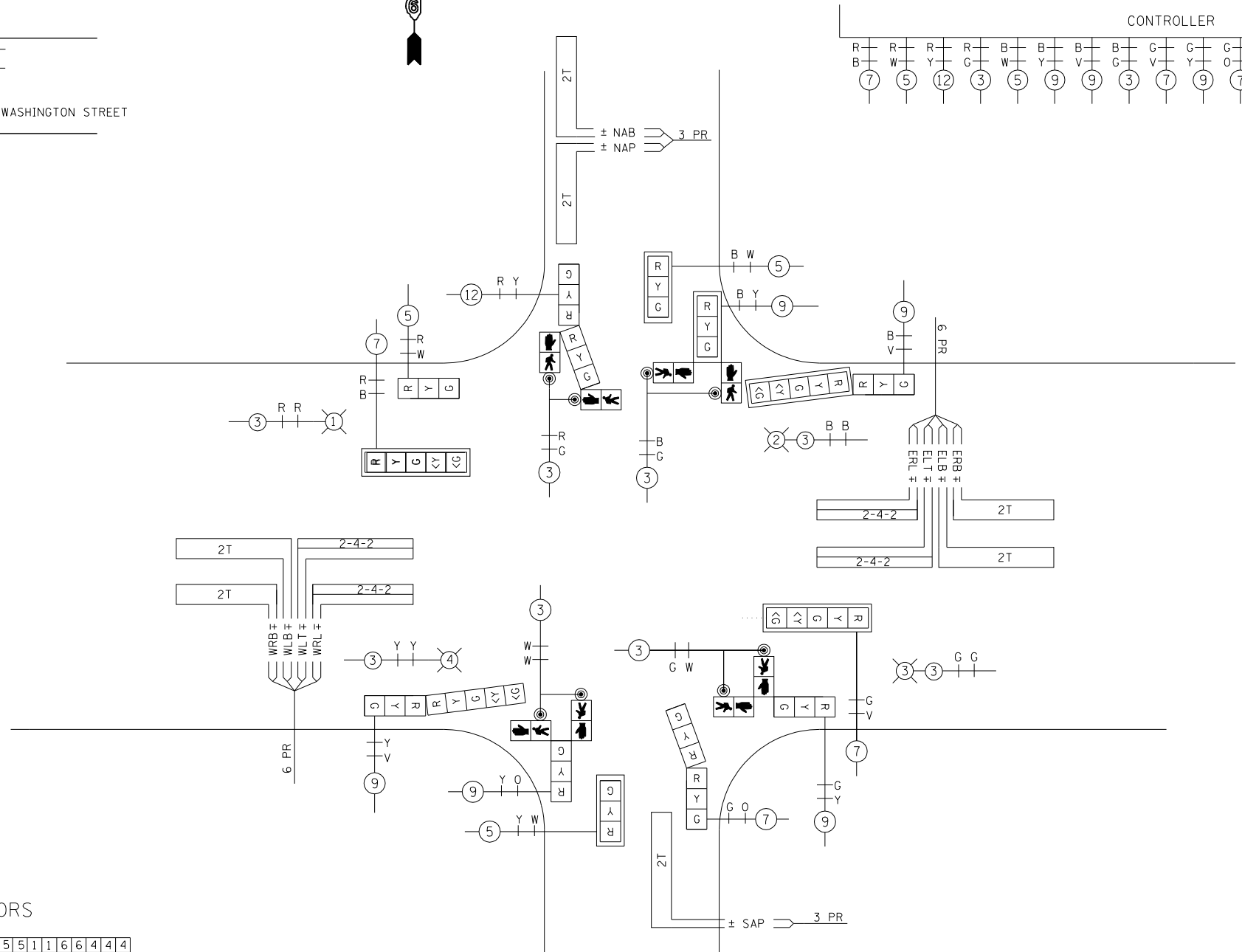
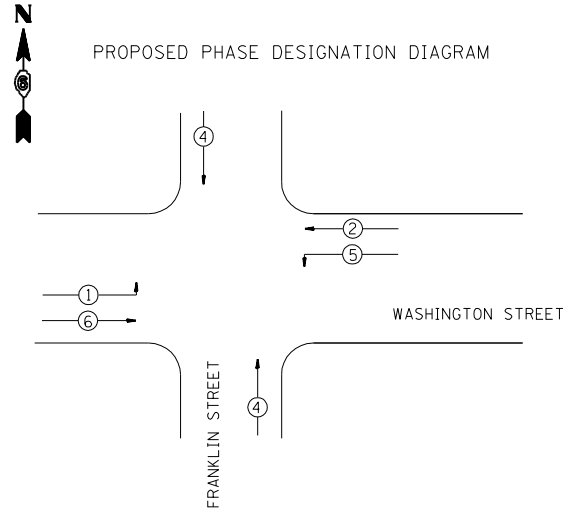


F.A.P. RTE.	SECTION	COUNTY	TOTAL SHEETS	SHEET NO.
321	18(N-1,TS)	PIKE	54	32
STA.		TO STA.		
FED. ROAD DIST. NO.	ILLINOIS	FED. AID PROJECT		



PLOT DATE : Oct-04-2007 01:06:13PM
 FILE NAME : c:\p\projects\655184\tr\official\caignols.dgn
 PLOT SCALE : 4.23538 / IN.
 USER NAME : laughlinr1

REVISIONS	
NAME	DATE

ILLINOIS DEPARTMENT OF TRANSPORTATION
PROPOSED WIRING DIAGRAM
 FAP 321 (US 54)
 SECTION 18(N-1,TS)
 PIKE COUNTY
 SCALE: VERT. / HORIZ.
 DATE: / /
 DRAWN BY: /
 CHECKED BY: /