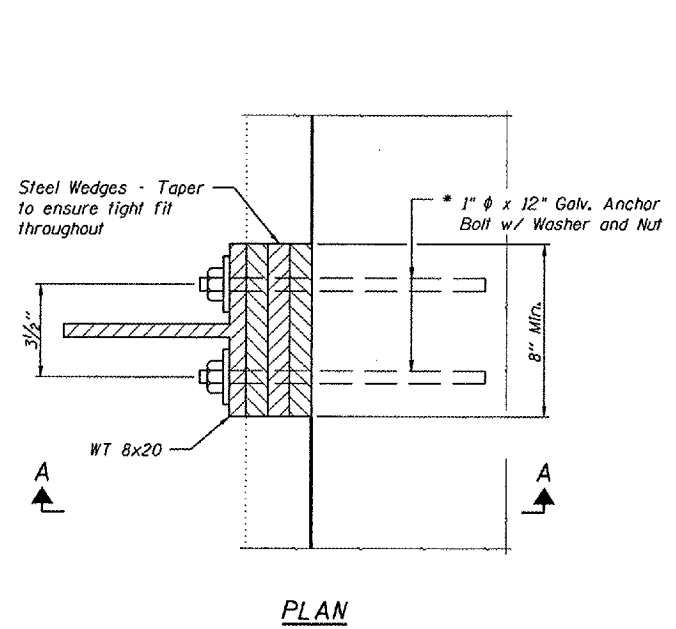
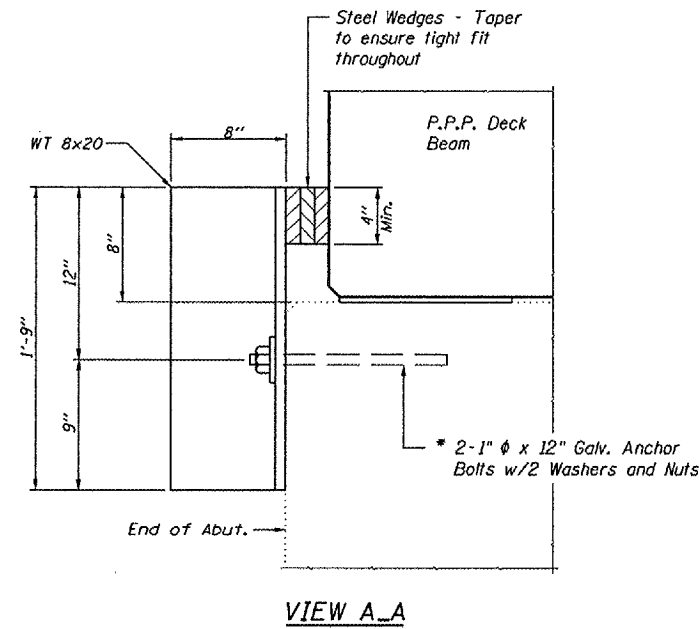


F.A.P. RTE.	SECTION	COUNTY	TOTAL SHEETS	SHEET NO.
315	116(BR-1)	LOGAN	79	41
STA. 81+00		TO STA. 90+00		
FED. ROAD DIST. NO. ILLINOIS FED. AID PROJECT				

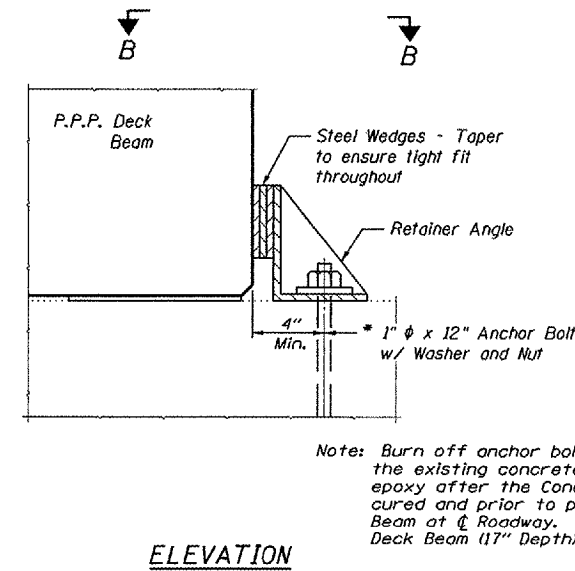


PLAN

PERMANENT SIDE RETAINER AT ABUTMENTS

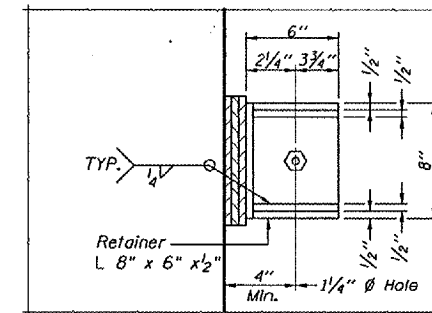


VIEW A-A



ELEVATION

TEMPORARY SIDE RETAINER AT ABUTMENTS



VIEW B-B

Note: Burn off anchor bolts flush with the top of the existing concrete, grind smooth, and seal with epoxy after the Concrete Wearing Surface has cured and prior to placement of the PPC Deck Beam at the Roadway. Cost included with PPC Deck Beam (17" Depth)

* Epoxy grout 1" anchor bolts in 9" (min.), drilled holes according to Section 584 of the Standard Specification. Cost of retainer and accessories are included with PPC Deck Beams (17" Depth)

ANCHOR BOLTS FOR RETAINERS

GENERAL NOTES

- Holes in the masonry for anchor bolts shall be drilled through the base plates to the diameter and depth shown or according to the manufacturer's recommendation after beams or girders have been erected and adjusted.
- Prior to setting the bolts, the holes shall be dry and all dust and loose particles shall be removed by the use of compressed air or vacuuming.
- The anchor bolts, furnished and installed and including the epoxy grout or capsules shall not be paid for separately but shall be included in the unit bid price for PPC Deck Beams (17" Depth).
- The Contractor may use, at his option, the capsule or the adhesive cartridge type anchor rods that have been previously tested and given a prior approval by the Department. The Contractor shall install these anchor rods in pre-drilled holes according to the manufacturer's recommendations and procedures.
- The capsule or the adhesive cartridge type anchor rods shall be a two part system composed of:
1. A threaded rod stud with nut and washer of the type specified.
 2. A sealed glass capsule or a sealed glass adhesive cartridge containing premeasured amounts of the adhesive chemical.

Location	Type
W. Abut.	A325
E. Abut.	A325

ASTM F 1554 Grade 105, ASTM A 449 and AASHTO M 314 Grade 105 anchor bolts may be substituted for the anchor bolts shown above.

SUBSTRUCTURE DETAILS
F.A.P. ROUTE 315 - (U.S. 136)
OVER PRAIRIE CREEK DITCH
SECTION 116(BR-1)
LOGAN COUNTY
STA. 85+45.00
S.N. 054-0024

Plot Date: 5/21/2007 8:28:14 AM
File Name: c:\projects\116(BR-1)\116(BR-1)\116(BR-1)054-0024.dgn
Model Name: 116(BR-1)054-0024.dgn