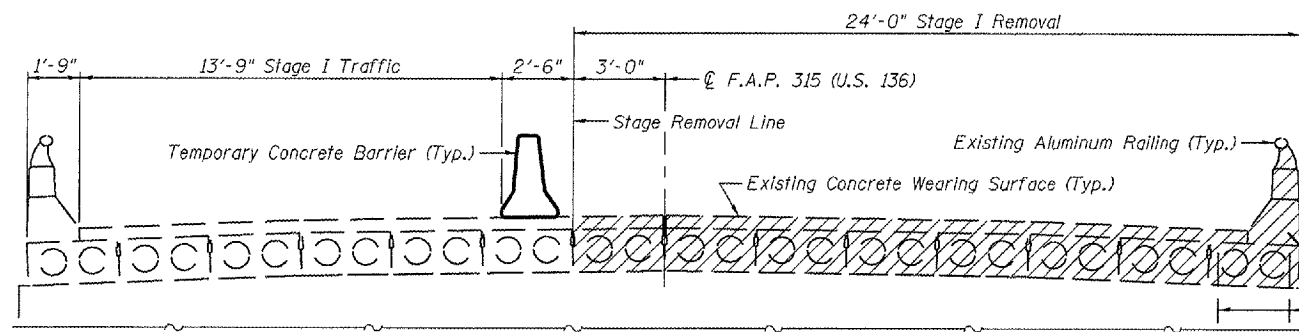
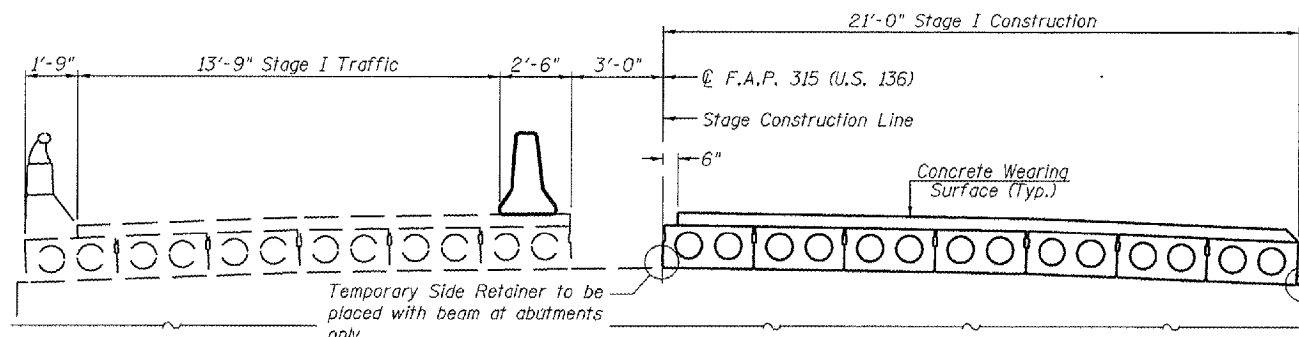


F.A.P. RTE.	SECTION	COUNTY	TOTAL SHEETS	SHEET NO.
315	116(BR-2)	LOGAN	79	45
STA. 309+00		TO STA. 318+90		
FED. ROAD DIST. NO.		ILLINOIS	FED. AID PROJECT	



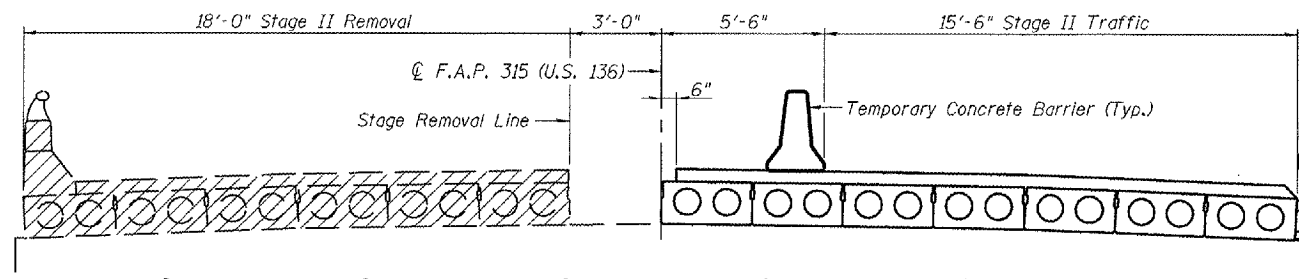
STAGE I REMOVAL

Existing Dowel Rods at Piers 1 & 2 shall be burned off flush with the top of the existing concrete, ground smooth, and sealed with epoxy. Cost included with Removal of Existing Superstructures.

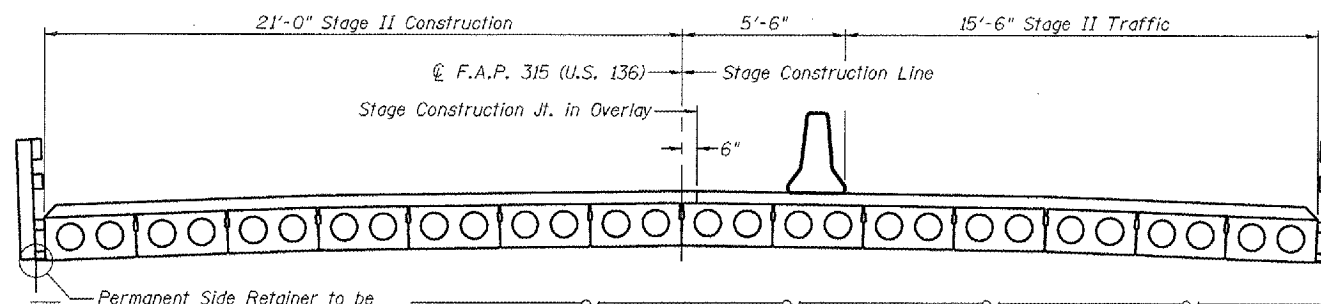


STAGE I CONSTRUCTION

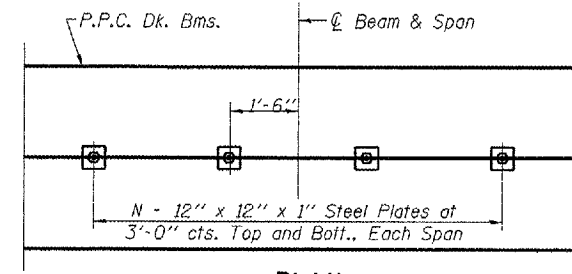
Permanent Side Retainer to be placed with beam at abutments only.



STAGE II REMOVAL

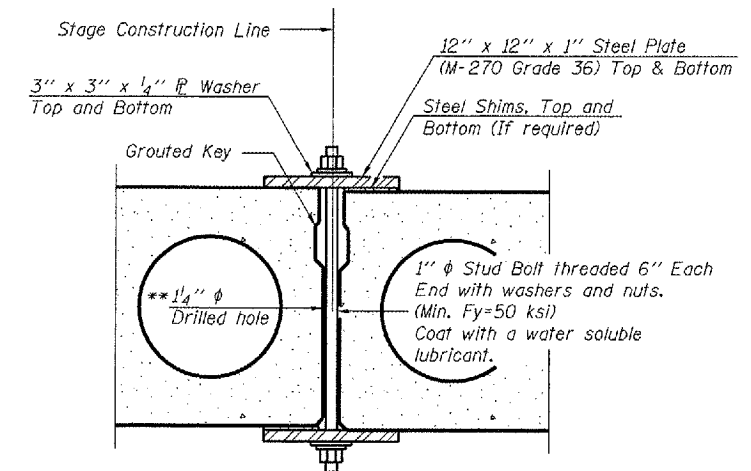


STAGE II CONSTRUCTION

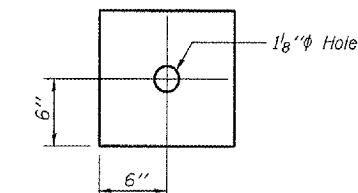


PLAN

N = 6 For Spans 1 and 3
N = 8 For Span 2



SECTION



CLAMPING PLATE

SHEAR KEY CLAMPING DETAILS AT STAGE CONST. JT.

Cost included with Precast Prestressed Concrete Deck Beams.
See Stage Construction Details for traffic lanes.

** As an alternate to the drilled holes, the Contractor may request the Fabricator to cast 2" diameter semi-circular recesses in the sides of each beam adjacent to the stage construction line. These recesses should align to form a hole at the appropriate locations for the clamping device bolts. If the Contractor elects to use this alternate, the details shall be identified on the shop drawings.

Notes: All Cross Sections looking East.
Hatched area indicates Removal of Existing Superstructures.
Cost of removing existing concrete wearing surface, parapet, and aluminum railing are included with Removal of Existing Superstructures.
For quantity of Temporary Concrete Barrier see Roadway Plans.
For Temporary Concrete Barrier details see Sheet 4 of 16.
For Permanent and Temporary Side Retainer Details see Sheet 14 of 16.

STAGE CONSTRUCTION DETAILS
F.A.P. ROUTE 315 - (U.S. 136)
OVER PRAIRIE CREEK
SECTION 116(BR-2)
LOGAN COUNTY
STA. 314+50.00
S.N. 054-0025

PLOT DATE = 7/9/2007
FILED AS: 45520853.dwg
MODEL NAME = 02/07/2007-080-000-000