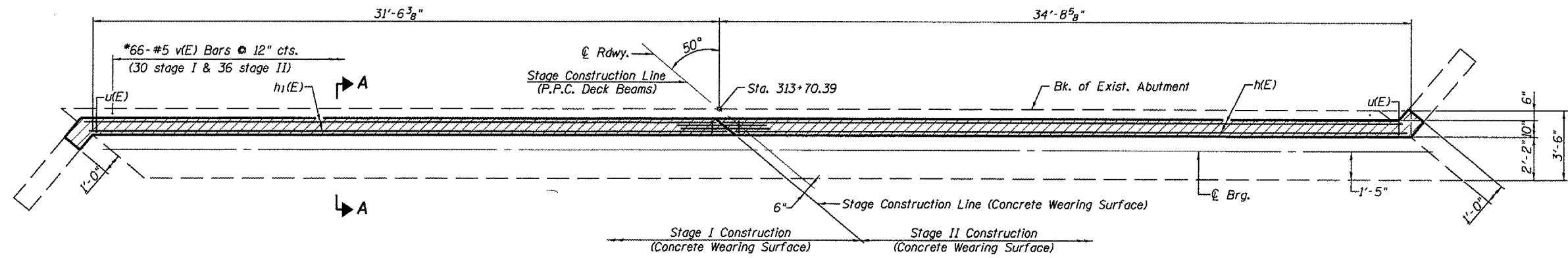
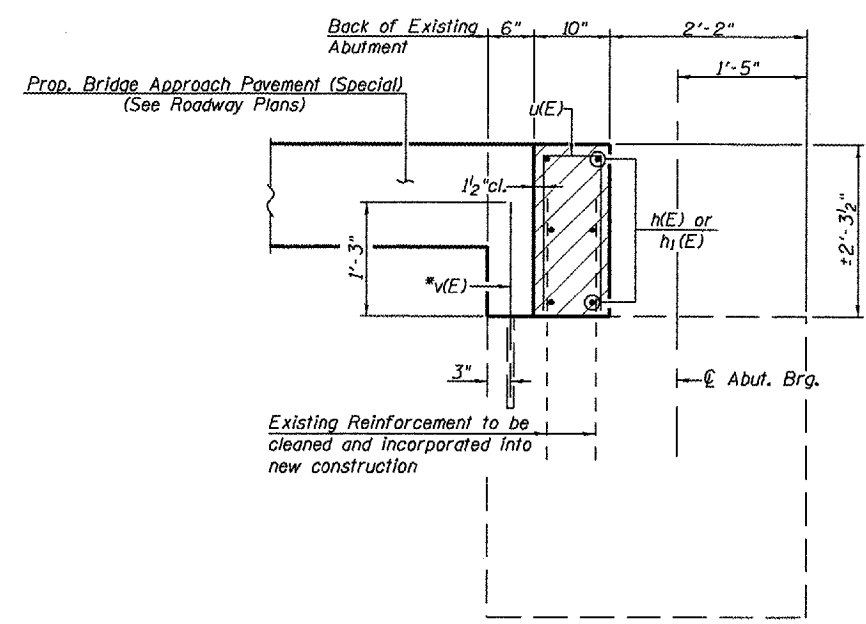


**ELEVATION**  
(Looking West)

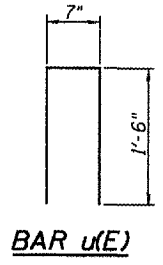


**PLAN**

Note: Hatched area to be poured after Concrete Wearing Surface is in place.



**SECTION A-A**  
(Dimensions are at Rt. angles to abutment)



**BAR u(E)**

\* Epoxy grout v(E) bars into 7/8"  $\phi$  holes, 1'-0" min. depth according to Section 584 of the Standard Specifications.

**BILL OF MATERIAL  
WEST ABUTMENT**

BAR	NO.	SIZE	LENGTH	SHAPE
h(E)	6	#6	33'-10"	—
h1(E)	6	#6	31'-8"	—
u(E)	65	#4	3'-7"	□
v(E)	66	#5	2'-3"	—
Reinforcement Bars, Epoxy Coated			Pound	910
Bar Splicers			Each	6
Concrete Substructure			Cu. Yd.	4.90

**WEST ABUTMENT**  
F.A.P. ROUTE 315 - (U.S. 136)  
OVER PRAIRIE CREEK  
SECTION 116(BR-2)  
LOGAN COUNTY  
STA. 314+50.00  
S.N. 054-0025

PLOT DATE = 7/27/2007  
 FILE # = 72997-116(BR-2)  
 MODEL NAME = 02107-22997-800-800-011