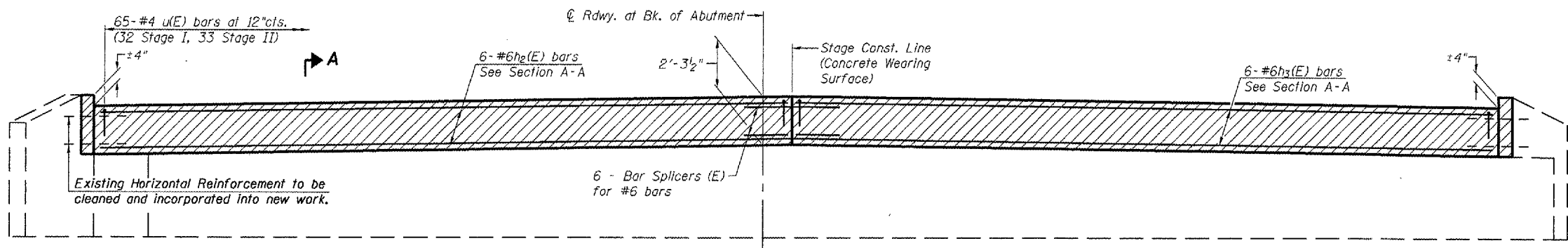
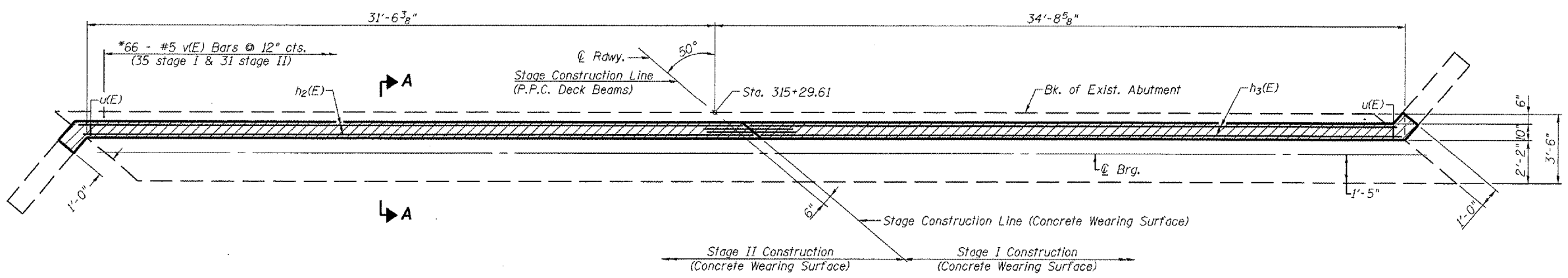


F.A.P. RTE.	SECTION	COUNTY	TOTAL SHEETS	SHEET NO.
315	116(BR-2)	LOGAN	79	55
STA. 309+00		TO STA. 318+90		
FED. ROAD DIST. NO. ILLINOIS FED. AID PROJECT				

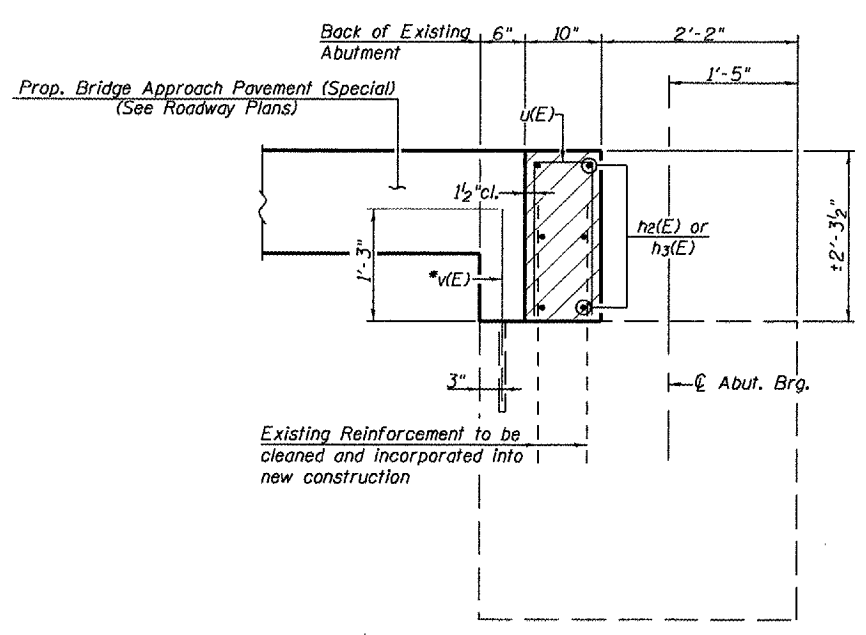


**ELEVATION**  
(Looking East)

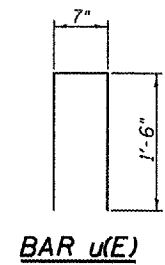


**PLAN**

Note: Hatched area to be poured after Concrete Wearing Surface is in place.



**SECTION A-A**  
(Dimensions are at Rt. angles to abutment)



\*Epoxy grout v(E) bars into 7/8" diameter holes, 1'-0" min. depth according to Section 584 of the Standard Specifications.

**BILL OF MATERIAL  
EAST ABUTMENT**

BAR	NO.	SIZE	LENGTH	SHAPE
h <sub>2</sub> (E)	6	#6	33'-5"	—
h <sub>3</sub> (E)	6	#6	32'-3"	—
u(E)	65	#4	3'-7"	□
v(E)	66	#5	2'-3"	—
Reinforcement Bars, Epoxy Coated			Pound	910
Bar Splicers			Each	6
Concrete Substructure			Cu. Yd.	4.90

**EAST ABUTMENT**  
F.A.P. ROUTE 315 - (U.S. 136)  
OVER PRAIRIE CREEK  
SECTION 116(BR-2)  
LOGAN COUNTY  
STA. 314+50.00  
S.N. 054-0025

PLOT DATE: 7/9/2007  
 FILE NAME: c:\p\projects\116BR-2\116BR-2.dwg  
 MODEL NAME: 116BR-2.dwg