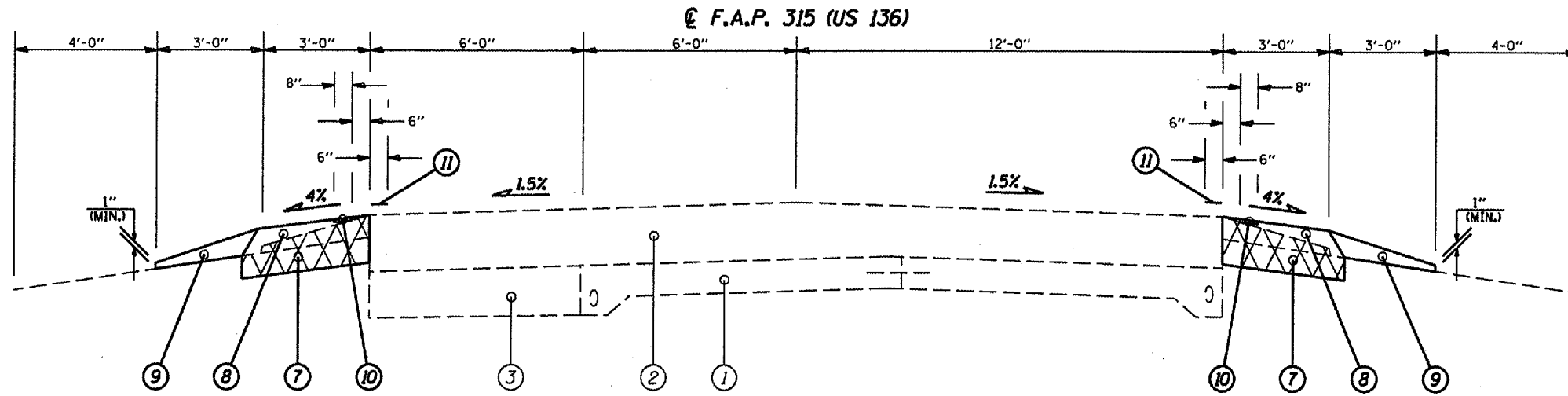


CONTRACT NO. 72B30

F.A.P. RTE.	SECTION	COUNTY	TOTAL SHEETS	SHEET NO.
315	*	MASON	11	4
STA. **	TO STA. **			
FED. ROAD DIST. NO.	ILLINOIS	FED. AID PROJECT		
*D-6 SHLDR RUMBLE STRIPS 2008-2				
**572+65.00 TO 611+74.18				
635+34.31 TO 641+68.50				

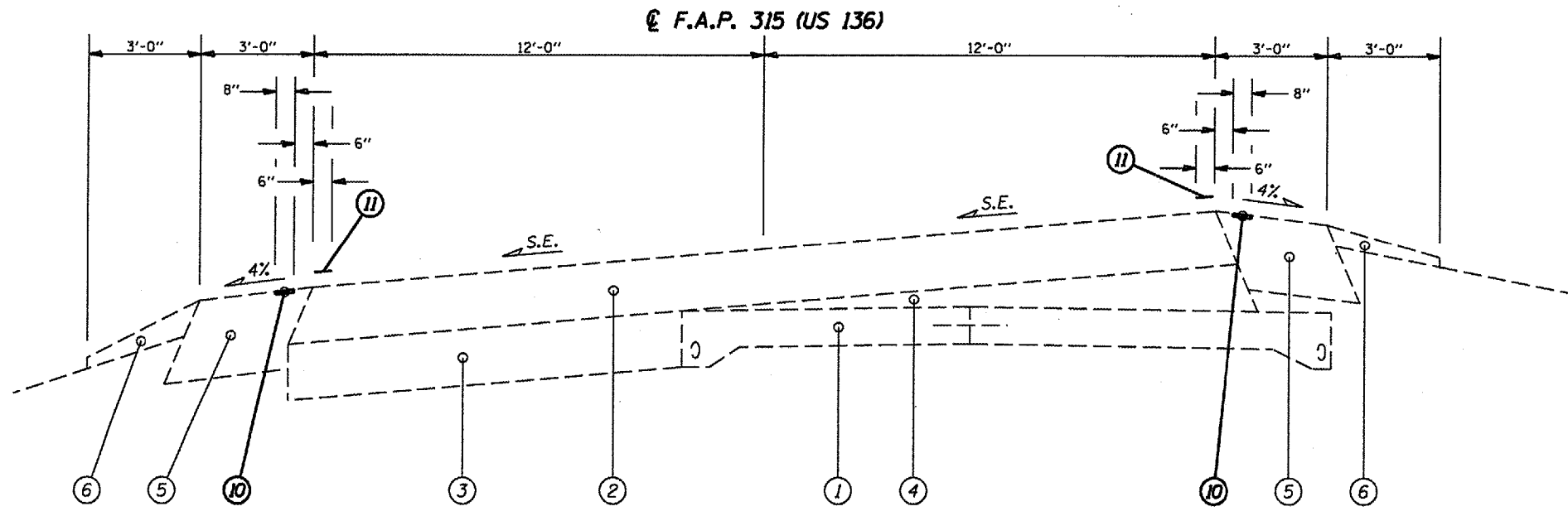


- (1) STA 572+65.00 TO STA 582+77.57 [1,012.57']
- (3) STA 606+14.91 TO STA 611+74.18 [559.27']
- (7) STA 635+34.31 TO STA 637+19.00 [184.69']
- (8) STA 637+74.50 TO STA 641+68.50 [394']

**SIDE ROAD OMISSION**  
 CH 4 (2800 E. INTR.)  
 STA 637+19.00 TO  
 STA 637+74.50

**LEGEND**

- ① EXISTING P.C.C. PAVEMENT 9"-6"-9"
- ② EXISTING BITUMINOUS OVERLAY
- ③ EXISTING P.C.C. BASE COURSE WIDENING 9"
- ④ EXISTING BITUMINOUS CONCRETE BINDER COURSE (VAR DEPTH)
- ⑤ EXISTING BITUMINOUS SHOULDER, 8"
- ⑥ EXISTING AGGREGATE SHOULDER, TYPE B
- ⑦ PROPOSED EXCAVATING AND GRADING EXISTING SHOULDER
- ⑧ PROPOSED HOT-MIX ASPHALT SHOULDERS 8"
- ⑨ PROPOSED AGGREGATE SHOULDERS, TYPE B
- ⑩ PROPOSED SHOULDER RUMBLE STRIP
- ⑪ PROPOSED PAINT PAVEMENT MARKING - LINE 5"



- (2) STA 582+77.57 TO STA 606+14.91 [2,337.34']

NOT TO SCALE

REVISIONS		ILLINOIS DEPARTMENT OF TRANSPORTATION
NAME	DATE	
		<b>TYPICAL SECTIONS</b> F.A.P. Route 315 (US 136) Section D-6 SHLDR RUMBLE STRIPS 2008-2 MASON COUNTY SCALE: VERT. _____ HORIZ. _____ DATE: MAY 15, 2007
		DRAWN BY: JWC CHECKED BY: RSC

c:\projects\610707\sh\typical.dgn  
 Dec-18-2007 10:41:41 AM  
 48E91