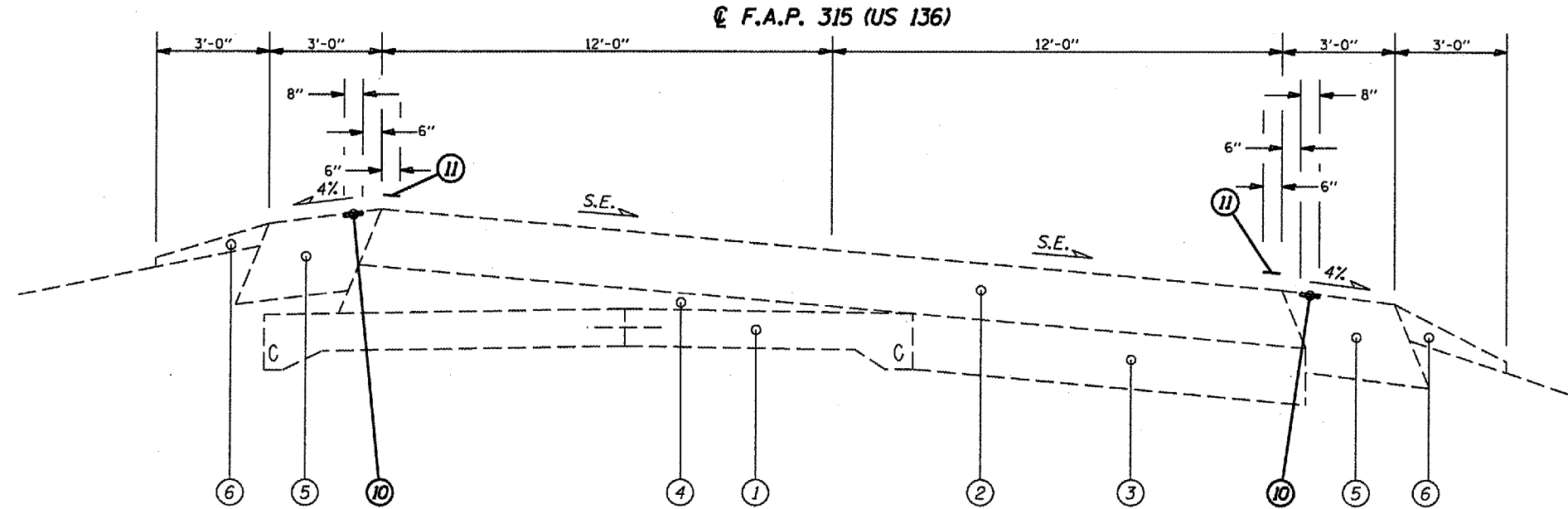


CONTRACT NO. 72B30

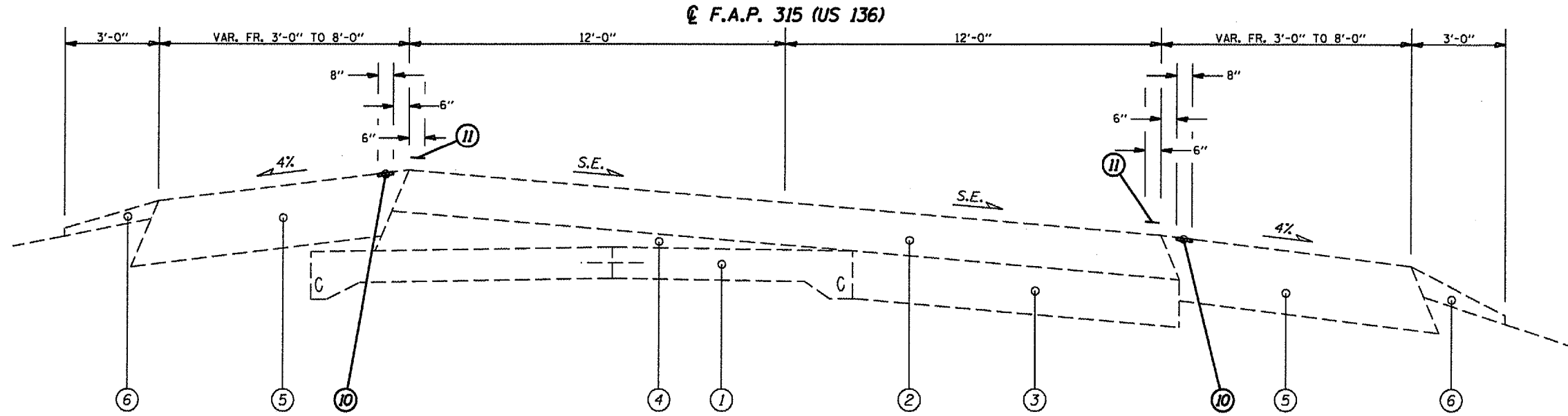
F.A.P. RTE.	SECTION	COUNTY	TOTAL SHEETS	SHEET NO.
315		MASON	11	5
STA. 611+74.18		TO STA. 635+34.31		
FED. ROAD DIST. NO.		ILLINOIS	FED. AID PROJECT	
+D-6 SHLDR RUMBLE STRIPS 2008-2				



(4) STA 611+74.18 TO STA 625+25.00 [1,350.82']
 (6) STA 627+60.00 TO STA 635+34.31 [774.31']

LEGEND

- ① EXISTING P.C.C. PAVEMENT 9"-6"-9"
- ② EXISTING BITUMINOUS OVERLAY
- ③ EXISTING P.C.C. BASE COURSE WIDENING 9"
- ④ EXISTING BITUMINOUS CONCRETE BINDER COURSE (VAR DEPTH)
- ⑤ EXISTING BITUMINOUS SHOULDER, 8"
- ⑥ EXISTING AGGREGATE SHOULDER, TYPE B
- ⑦ PROPOSED EXCAVATING AND GRADING EXISTING SHOULDER
- ⑧ PROPOSED HOT-MIX ASPHALT SHOULDERS 8"
- ⑨ PROPOSED AGGREGATE SHOULDERS, TYPE B
- ⑩ PROPOSED SHOULDER RUMBLE STRIP
- ⑪ PROPOSED PAINT PAVEMENT MARKING - LINE 5"



(5) STA 625+25.00 TO STA 627+60.00 [235.00']

NOT TO SCALE

REVISIONS	
NAME	DATE

ILLINOIS DEPARTMENT OF TRANSPORTATION
TYPICAL SECTIONS
 F.A.P. Route 315 (US 136)
 Section D-6 SHLDR RUMBLE STRIPS 2008-2
 MASON COUNTY
 SCALE: VERT. _____
 HORIZ. _____
 DATE: MAY 15, 2007
 DRAWN BY: JWC
 CHECKED BY: RSC

at:\projects\0610707\sh\typical.dgn
 Oct-10-2007 10:44:23AM
 *REF01