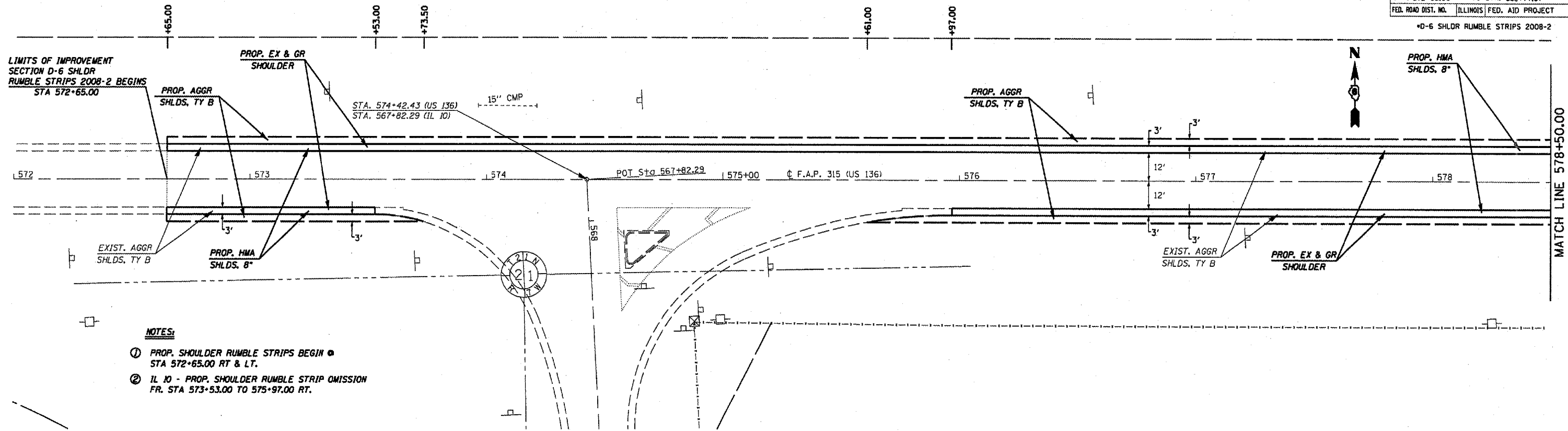
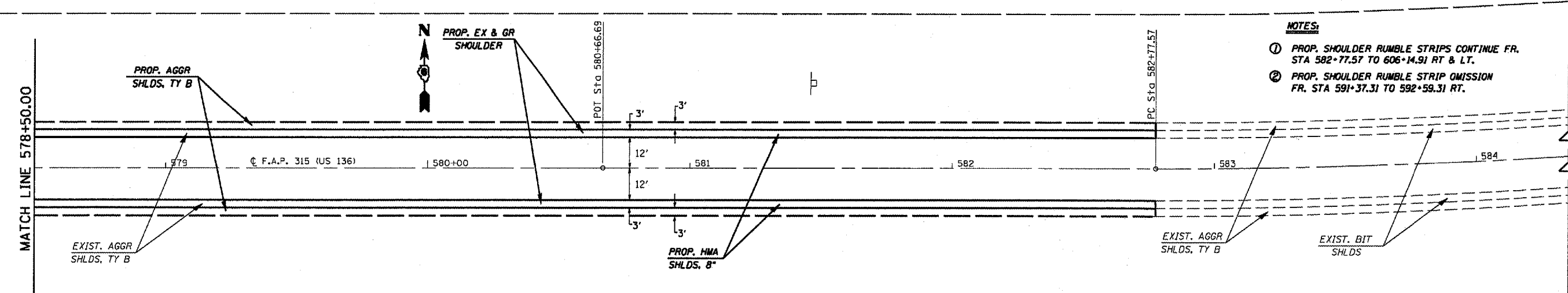


CONTRACT NO. 72B30

F.A.P. RTE.	SECTION	COUNTY	TOTAL SHEETS	SHEET NO.
315		MASON	11	7
STA. 572+65.00		TO STA. 582+77.57		
FED. ROAD DIST. NO.		ILLINOIS FED. AID PROJECT		
+D-6 SHLDR RUMBLE STRIPS 2008-2				



- NOTES:**
- ① PROP. SHOULDER RUMBLE STRIPS BEGIN @ STA 572+65.00 RT & LT.
  - ② IL 10 - PROP. SHOULDER RUMBLE STRIP OMISSION FR. STA 573+53.00 TO 575+97.00 RT.



- NOTES:**
- ① PROP. SHOULDER RUMBLE STRIPS CONTINUE FR. STA 582+77.57 TO 606+14.91 RT & LT.
  - ② PROP. SHOULDER RUMBLE STRIP OMISSION FR. STA 591+37.31 TO 592+59.31 RT.

PLOT DATE = Oct-09-2007 16:57:43AM  
 FILE NAME = s:\projects\72B30\72B30.dgn  
 PLOT SCALE = 42.5625' / IN.  
 USER NAME = jwc

REVISIONS	
NAME	DATE

ILLINOIS DEPARTMENT OF TRANSPORTATION

**PLAN VIEW**

F.A.P. Route 315 (US 136)  
 Section D-6 SHLDR RUMBLE STRIPS 2008-2  
 MASON COUNTY

SCALE: VERT.      DRAWN BY: JWC  
 HORIZ.              CHECKED BY: RSC  
 DATE: MAY 21, 2007