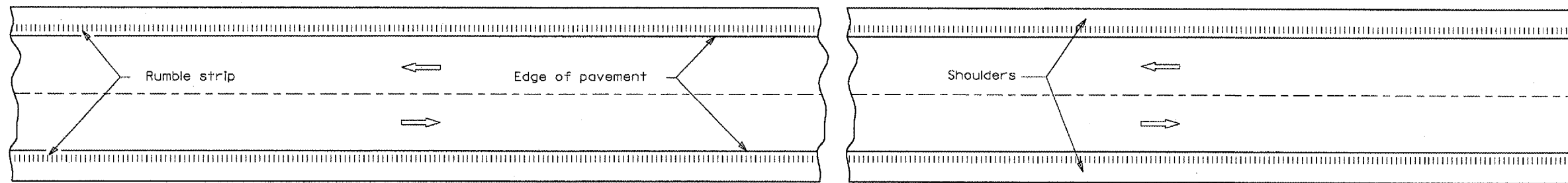
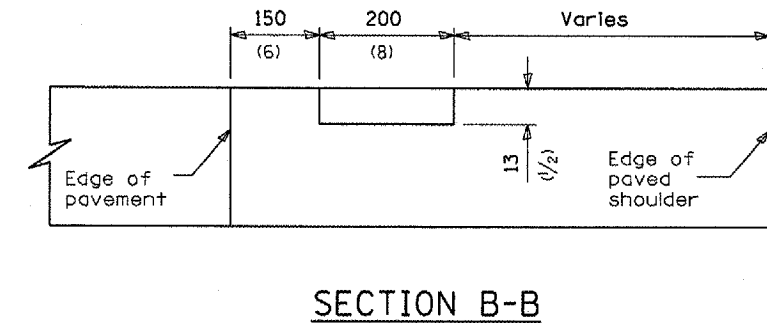
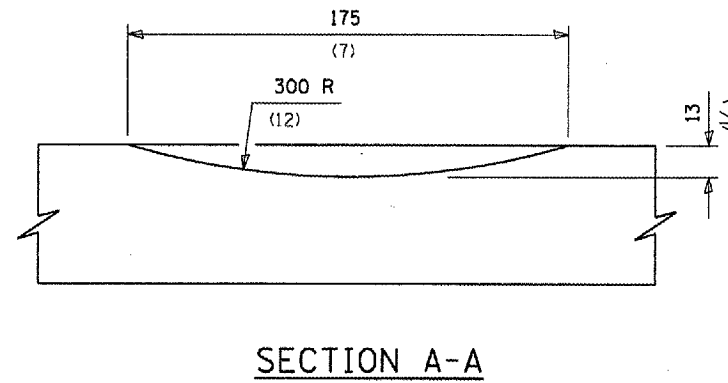
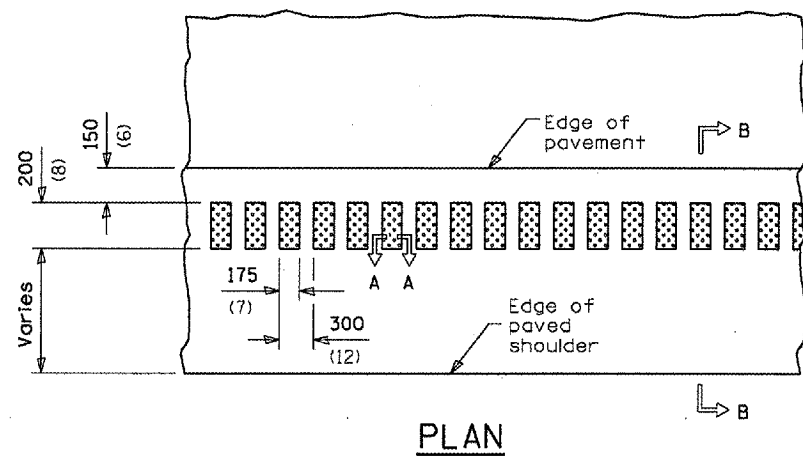


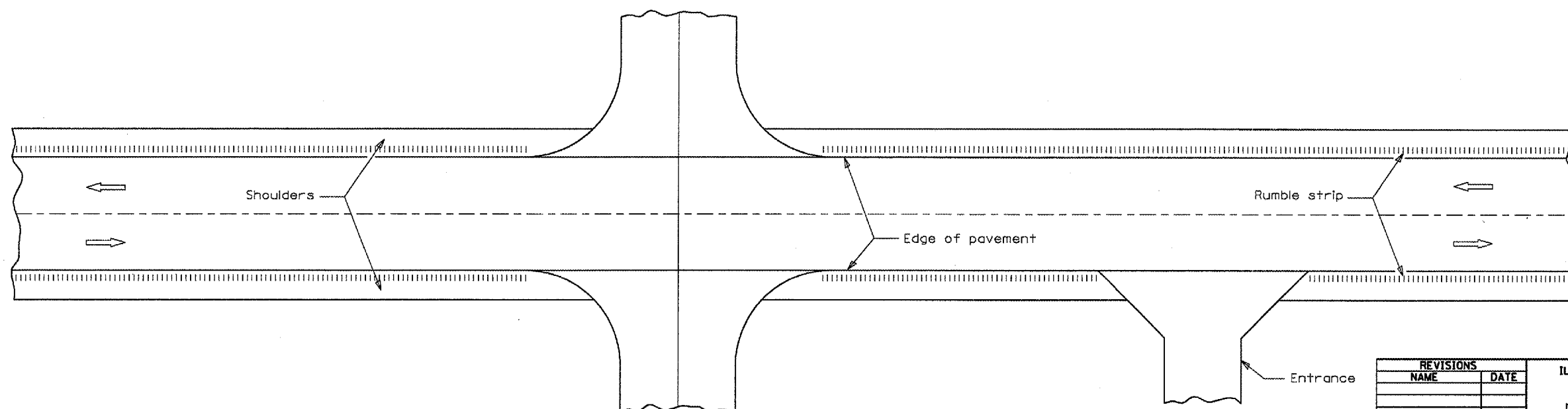
CONTRACT NO. 72B30

F.A.P. RTE.	SECTION	COUNTY	TOTAL SHEETS	SHEET NO.
315	*	ADAMS	11	11
STA. 572+65.00		TO STA. 641+68.50		
FED. ROAD DIST. NO.		ILLINOIS FED. AID PROJECT		

* D-6 SHLDR RUMBLE STRIPS 2008-2



HALF PLAN
TYPICAL APPLICATION FOR RURAL AREAS



HALF PLAN
TYPICAL APPLICATION AT SIDEROADS AND ENTRANCES

REVISIONS	
NAME	DATE

ILLINOIS DEPARTMENT OF TRANSPORTATION

RUMBLE STRIPS
DETAIL

SCALE: VERT.
HORIZ.
DATE: JUNE 8, 2007

DRAWN BY: JWC
CHECKED BY: RSC

PLOT DATE = Oct-09-2007 11:12:04AM
FILE NAME = s:\projects\ad10707\shdetail.dgn
PLOT SCALE = 42.3529' / IN.
USER NAME = jwc