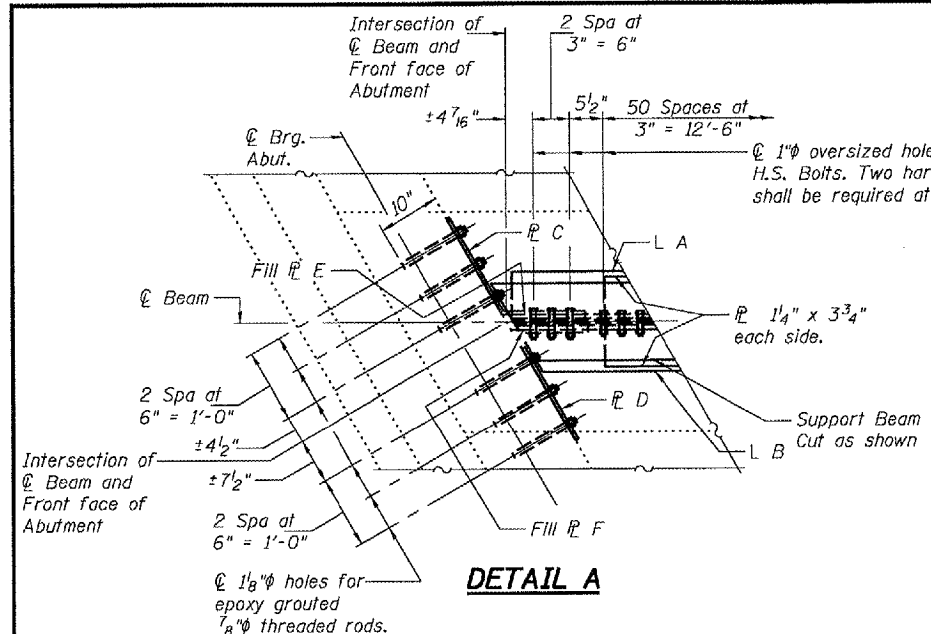


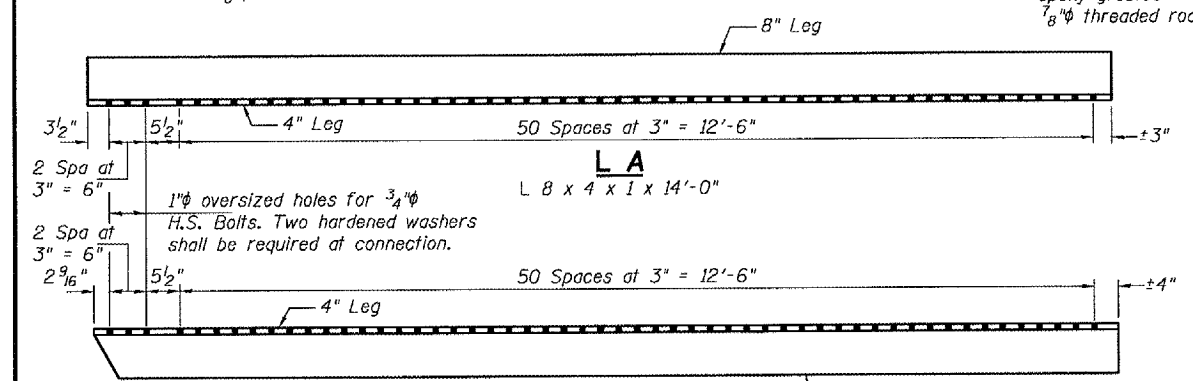
STATE OF ILLINOIS  
DEPARTMENT OF TRANSPORTATION

ROUTE NO.	SECTION	COUNTY	TOTAL SHEETS	SHEET NO.	SHEET NO. 2
		Sangamon	5	5	2 SHEEYS
FED. ROAD DIST. NO. 7	ILLINOIS	FED. AID PROJECT			

Contract Number: 72B51

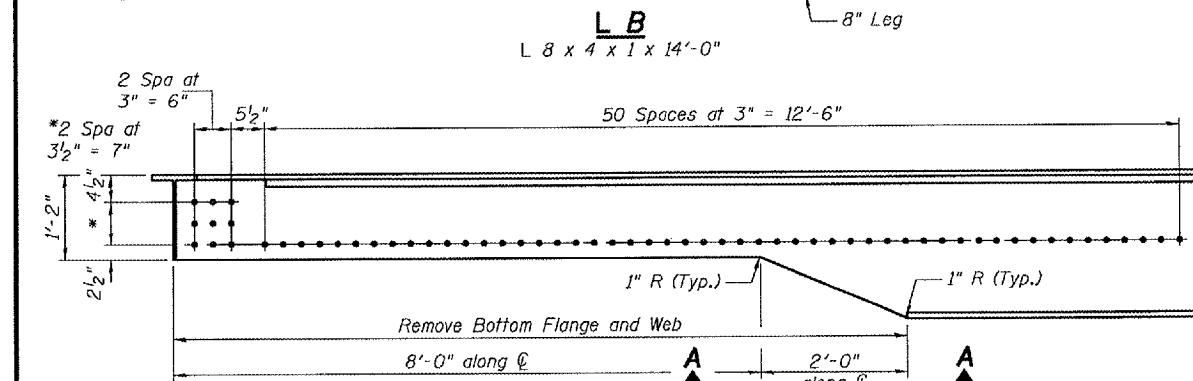


**DETAIL A**

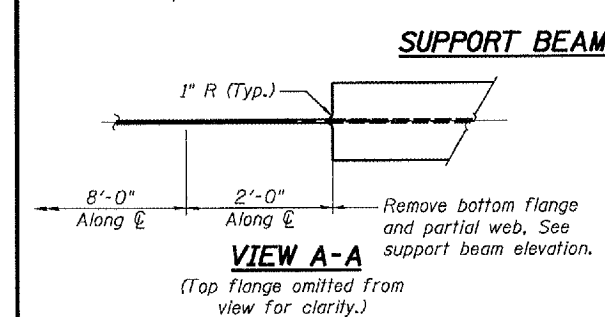


**L A**  
L 8 x 4 x 1 x 14'-0"

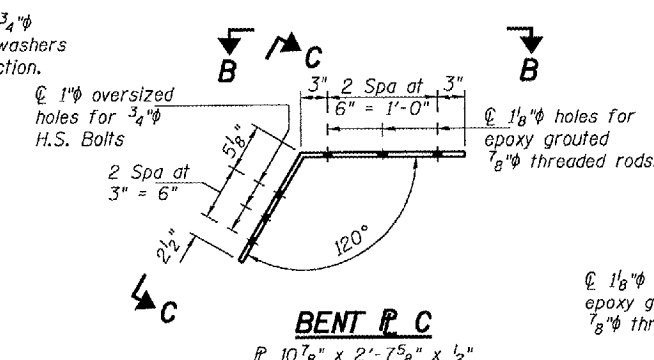
**L B**  
L 8 x 4 x 1 x 14'-0"



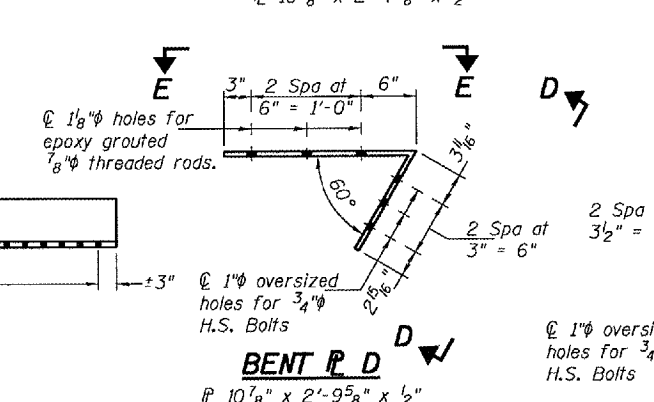
**SUPPORT BEAM ELEVATION AT ABUTMENT ENDS**



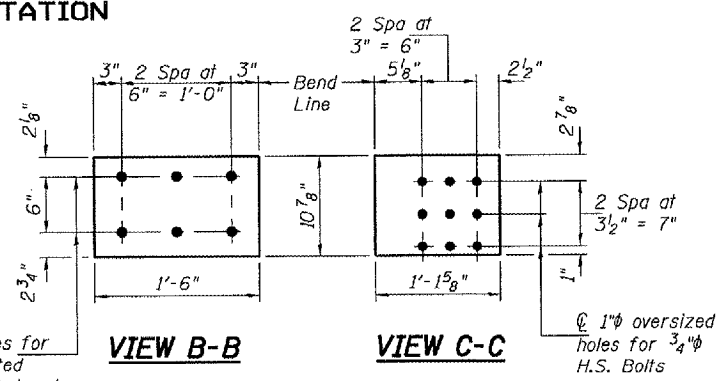
**VIEW A-A**



**BENT P C**  
P 10 7/8" x 2'-7 5/8" x 1/2"

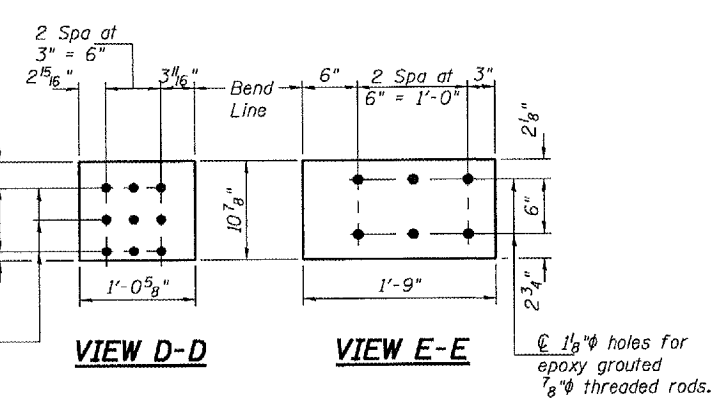


**BENT P D**  
P 10 7/8" x 2'-9 5/8" x 1/2"



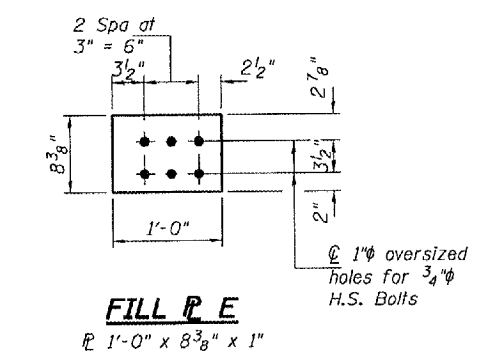
**VIEW B-B**

**VIEW C-C**

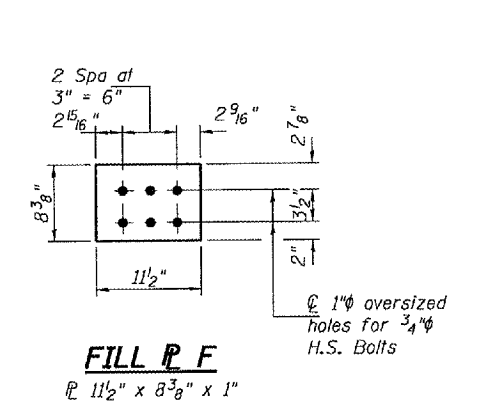


**VIEW D-D**

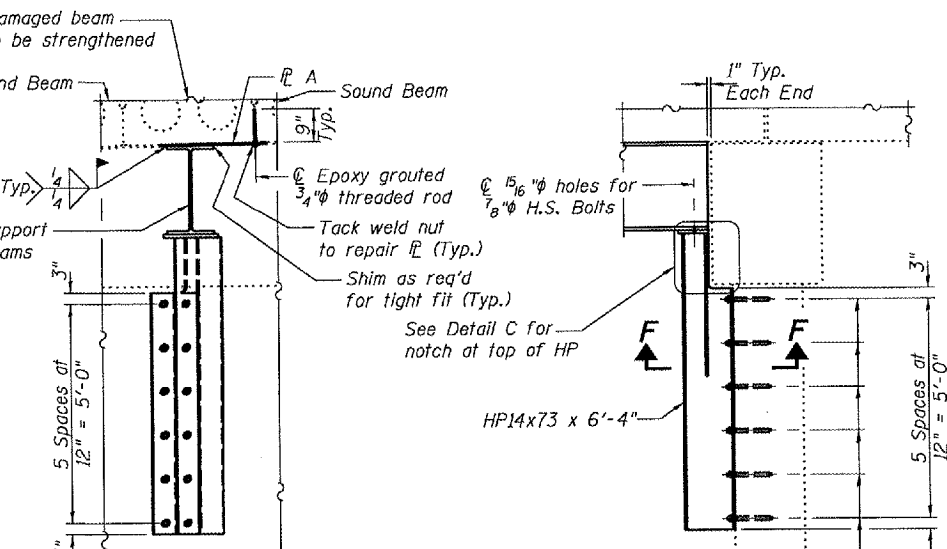
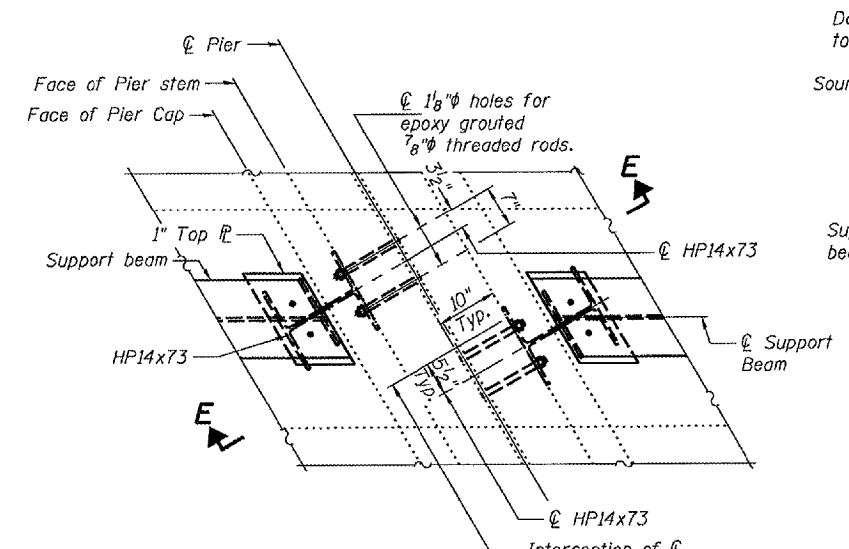
**VIEW E-E**



**FILL P E**  
P 1'-0" x 8 3/8" x 1"

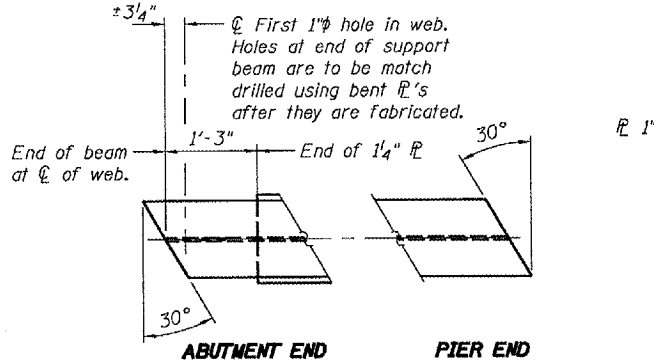


**FILL P F**  
P 1 1/2" x 8 3/8" x 1"

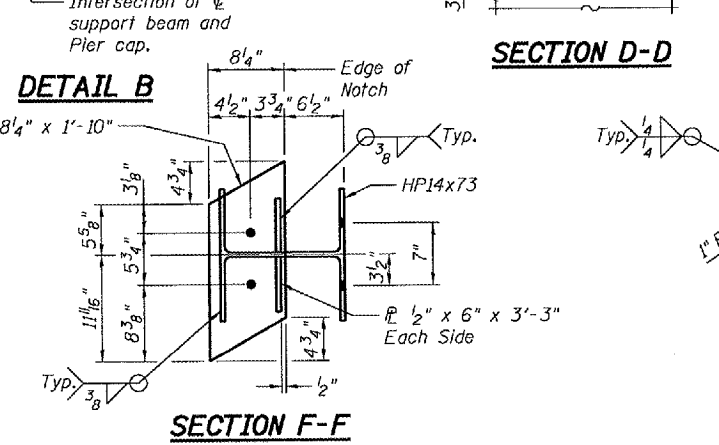


**SECTION D-D**

**SECTION E-E**

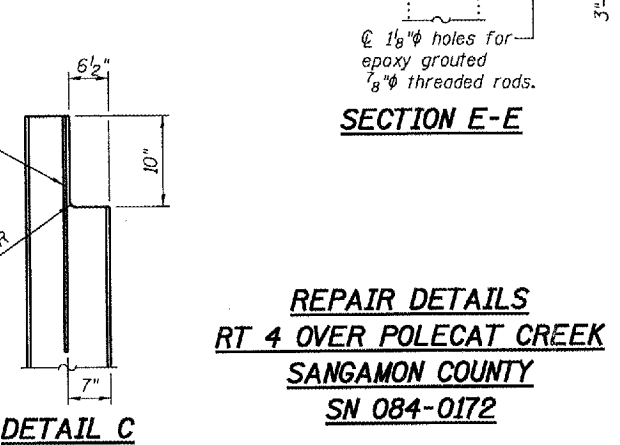


**SUPPORT BEAM PARTIAL TOP FLANGE PLANS**



**DETAIL B**

**SECTION F-F**



**DETAIL C**

**REPAIR DETAILS**  
**RT 4 OVER POLECAT CREEK**  
**SANGAMON COUNTY**  
**SN 084-0172**

DESIGNED	D.A.B.	EXAMINED	November 1, 2007 <i>Carl Prosser</i> ENGINEER OF STRUCTURAL SERVICES
CHECKED	A.T.H.	PASSED	<i>Ralph E. Anderson</i> ENGINEER OF BRIDGES AND STRUCTURES
DRAWN	Drew Christopher		
CHECKED	D.A.B. A.T.H.		