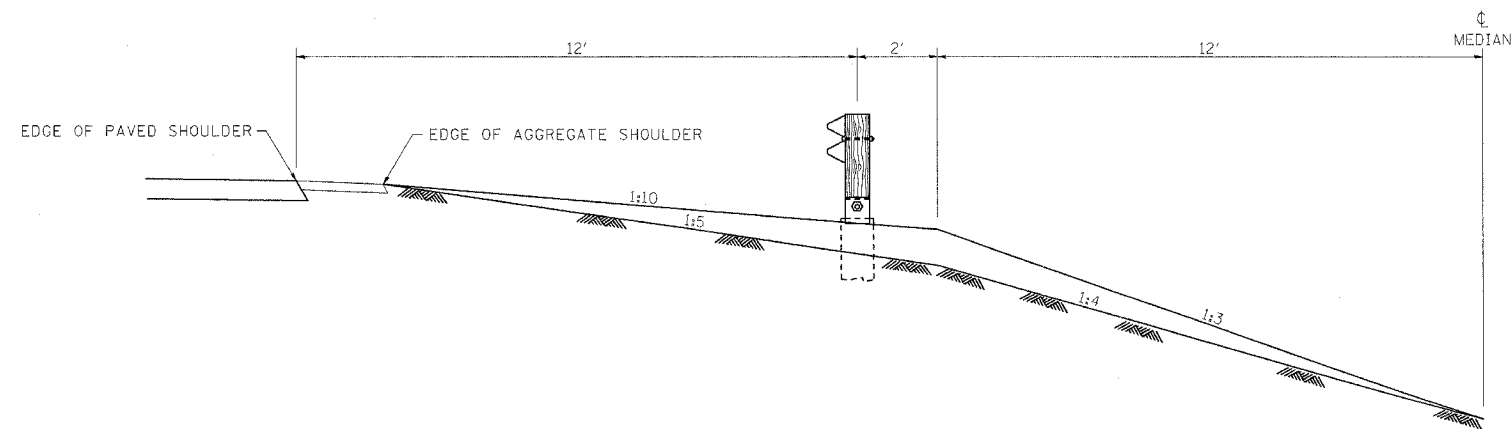
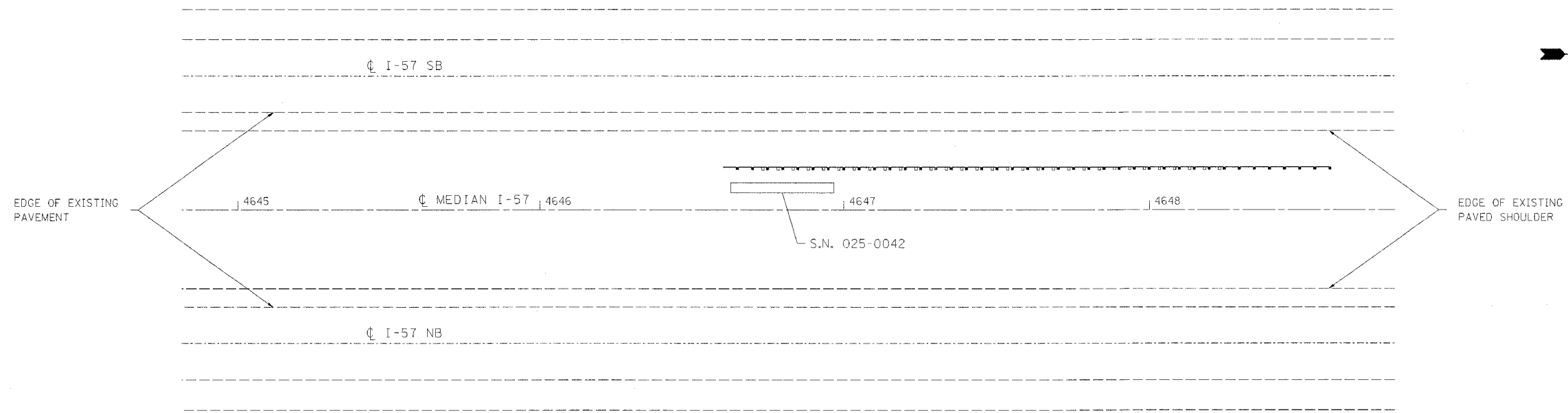


F.A.I. RTE.	SECTION	COUNTY	TOTAL SHEETS	SHEET NO.
57	*	**	86	30
STA.		TO STA.		
FED. ROAD DIST. NO.		ILLINOIS FED. AID PROJECT		

- D7 SAFETY 2008-1
- EFFINGHAM, CLAY, AND FAYETTE



TYPICAL GUARDRAIL SECTION

SCHEDULE

STATION TO STATION	LENGTH	STEEL PLATE BEAM GUARDRAIL, TYPE A	GUARDRAIL REMOVAL	TRAFFIC BARRIER TERMINAL, TYPE 2	TRAFFIC BARRIER TERMINAL, TYPE 1 SPECIAL (TANGENT)	GUARDRAIL MARKER, TYPE A	TERMINAL MARKER, DIRECT APPLIED
	LIN. FT.	FOOT	FOOT	EACH	EACH	EACH	EACH
LT 4646+69.8 TO LT 4648+23.8	154.0		154.0				
LT 4646+60.3 TO LT 4646+72.8	12.5			1		1	
LT 4646+72.8 TO LT 4648+10.3	137.5	137.5				2	
LT 4648+10.3 TO LT 4648+60.3	50.0				1	1	1
<b>TOTALS:</b>	<b>137.5</b>	<b>137.5</b>	<b>154.0</b>	<b>1</b>	<b>1</b>	<b>4</b>	<b>1</b>

PLOT DATE = #DATE\*  
 FILE NAME = #FILE\*  
 USER NAME = #USER\*

REVISIONS	
NAME	DATE

ILLINOIS DEPARTMENT OF TRANSPORTATION

**LOCATION 4**  
**S.N. 025-0042**  
**PLAN VIEW**

SCALE: VERT.  
 HORIZ.  
 DATE

DRAWN BY  
 CHECKED BY