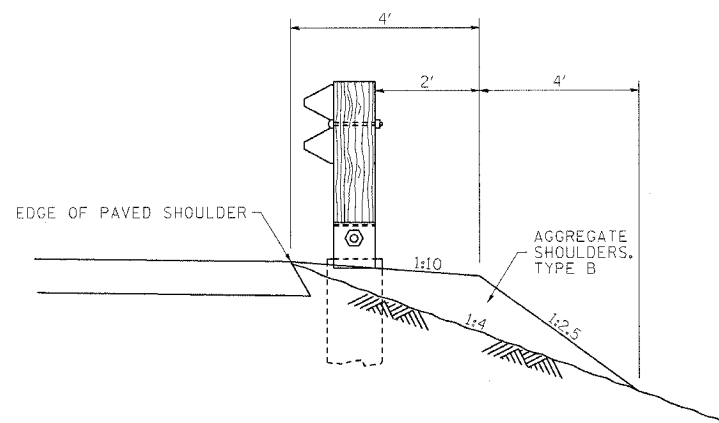


F.A.I. RTE.	SECTION	COUNTY	TOTAL SHEETS	SHEET NO.
57	*	**	86	50

STA. 4941+00 TO STA. 4952+00

FED. ROAD DIST. NO. ILLINOIS FED. AID PROJECT

- D7 SAFETY 2008-1
- EFFINGHAM, CLAY, AND FAYETTE



TYPICAL GUARDRAIL SECTION

SCHEDULE

STATION TO STATION	I-57 LOC.	LENGTH	STEEL PLATE BEAM GUARDRAIL, TYPE A	TRAFFIC BARRIER TERMINAL, TYPE 2	TRAFFIC BARRIER TERMINAL, TYPE 1 SPECIAL (TANGENT)	GUARDRAIL MARKER, TYPE A	TERMINAL MARKER, DIRECT APPLIED
4942+96.4 TO 4943+46.4	NB-LT SIDE	50.0			1	1	1
4943+46.4 TO 4946+46.4	NB-LT SIDE	300.0	300.0			4	
4946+46.4 TO 4946+58.9	NB-LT SIDE	12.5		1		1	
4943+57.4 TO 4944+07.4	NB-RT SIDE	50.0			1	1	1
4944+07.4 TO 4946+57.4	NB-RT SIDE	250.0	250.0			4	
4946+57.4 TO 4946+69.9	NB-RT SIDE	12.5		1		1	
4950+87.1 TO 4950+37.1	SB-LT SIDE	50.0			1	1	1
4950+37.1 TO 4947+49.6	SB-LT SIDE	287.5	287.5			4	
4947+49.6 TO 4947+37.1	SB-LT SIDE	12.5		1		1	
TOTALS:		837.5	837.5	3	3	18	3

PLOT DATE = \*DATES\*  
 FILE NAME = \*FILEL\*  
 PLOT SCALE = \*SCALE\*  
 USER NAME = \*USERN\*

REVISIONS	
NAME	DATE

ILLINOIS DEPARTMENT OF TRANSPORTATION  
**SIGN TRUSS DETAILS**  
**7S0251057R156.3**  
**M.P. 157.30**  
**STA 4946 + 98**  
 SCALE: VERT. DATE      DRAWN BY      CHECKED BY