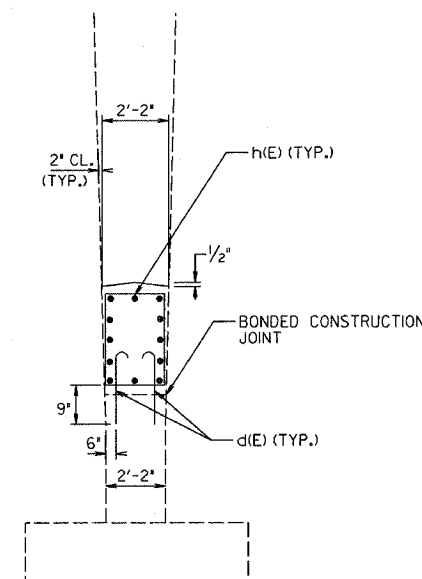
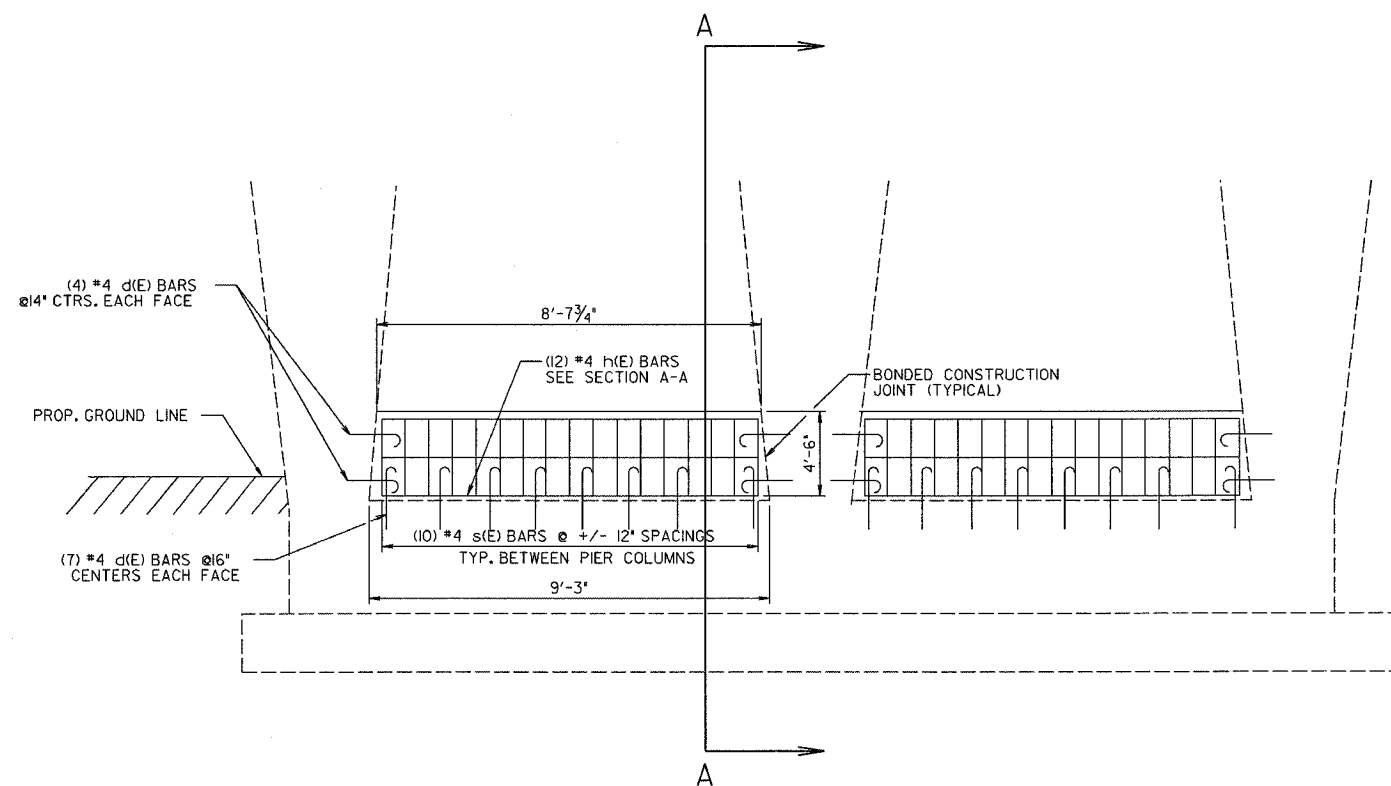


F.A.I. RTE.	SECTION	COUNTY	TOTAL SHEETS	SHEET NO.
57	*	**	86	79

STA. TO STA.
FED. ROAD DIST. NO. ILLINOIS FED. AID PROJECT

- D7 SAFETY 2008-1
- EFFINGHAM, CLAY, AND FAYETTE

DETAIL OF CRASHWALL EXTENSION



SECTION A-A

GENERAL NOTES

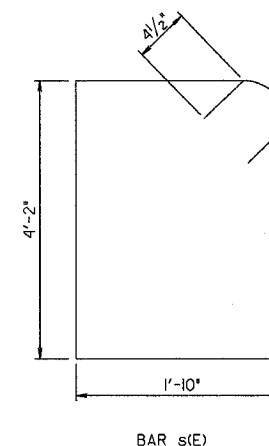
CLASS S1 CONCRETE IN ACCORDANCE WITH SECTION 1020 OF THE STANDARD SPECIFICATIONS SHALL BE USED THROUGHOUT.

THE WORK SHALL BE PERFORMED IN ACCORDANCE WITH THE APPLICABLE ARTICLES OF SECTION 503 OF THE STANDARD SPECIFICATIONS.

EPOXY GROUTING SHALL BE DONE IN ACCORDANCE WITH SECTION 584 OF THE STANDARD SPECIFICATIONS. THE DRILLED HOLES FOR THE J-BARS SHALL BE 1/4\"/>

REINFORCEMENT BARS SHALL CONFORM TO THE REQUIREMENTS OF AASHTO M31, M42, OR M53 GRADE 60.

PLAN DIMENSIONS AND DETAILS RELATIVE TO THE EXISTING STRUCTURE HAVE BEEN TAKEN FROM EXISTING PLANS AND ARE SUBJECT TO NOMINAL CONSTRUCTION VARIATIONS. IT SHALL BE THE CONTRACTOR'S RESPONSIBILITY TO VERIFY SUCH DIMENSIONS AND DETAILS IN THE FIELD AND MAKE NECESSARY APPROVED ADJUSTMENTS PRIOR TO CONSTRUCTION OR ORDERING OF MATERIALS. SUCH VARIATIONS SHALL NOT BE CAUSE FOR ADDITIONAL COMPENSATION FOR A CHANGE IN THE SCOPE OF THE WORK. HOWEVER, THE CONTRACTOR WILL BE PAID FOR THE QUANTITY ACTUALLY FURNISHED AT THE UNIT PRICE FOR THE WORK.



BILL OF MATERIALS

ITEM	UNIT	QTY.
CLASS S1 CONCRETE	CU. YD.	6.5
REINFORCEMENT BARS, EPOXY COATED	LB.	410

BAR TABLE

BAR	NO.	SIZE	LENGTH	SHAPE
d(E)	60	#4	2'-6"	
s(E)	20	#4	12'-9"	
h(E)	24	#4	8'-4"	

PLOT DATE = #DATE#
 FILE NAME = #FILE#
 PLOT SCALE = #SCALE#
 USER NAME = #USER#

REVISIONS	
NAME	DATE

ILLINOIS DEPARTMENT OF TRANSPORTATION

CRASH WALL DETAIL LOCATION 10

SCALE: VERT.
DATE: HORIZ.

DRAWN BY
CHECKED BY