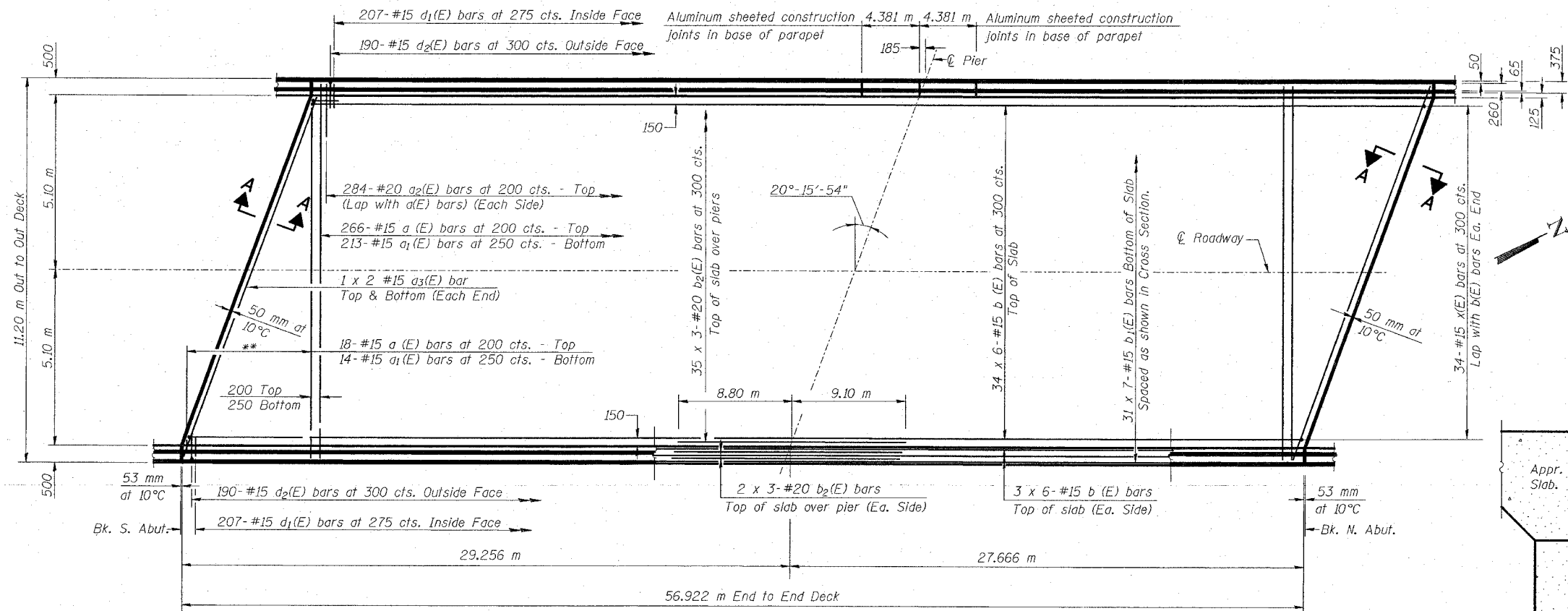
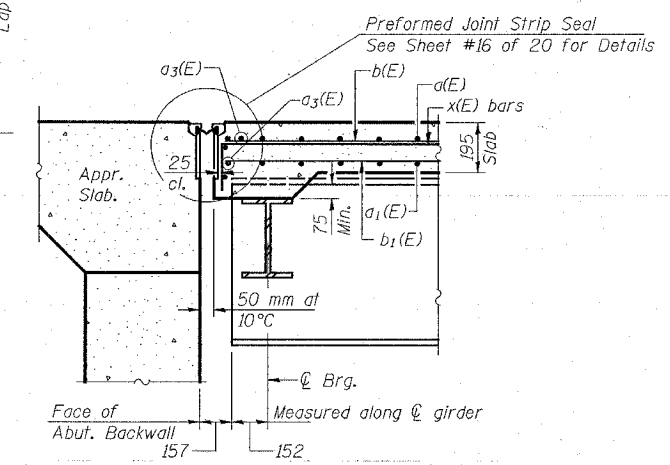


ROUTE NO.	SECTION	COUNTY	TOTAL SHEETS	SHEET NO.	SHEET NO. 7 20 SHEETS
F.A.P. 310	60-15HB	MADISON	185	82	
FED. ROAD DIST. NO.	ILLINOIS	FED. AID PROJECT#	CONTRACT NO. 76626		



PLAN

** Order a(E) & a1(E) bars full length. Cut to fit skew and use remainder of bars in opposite end.

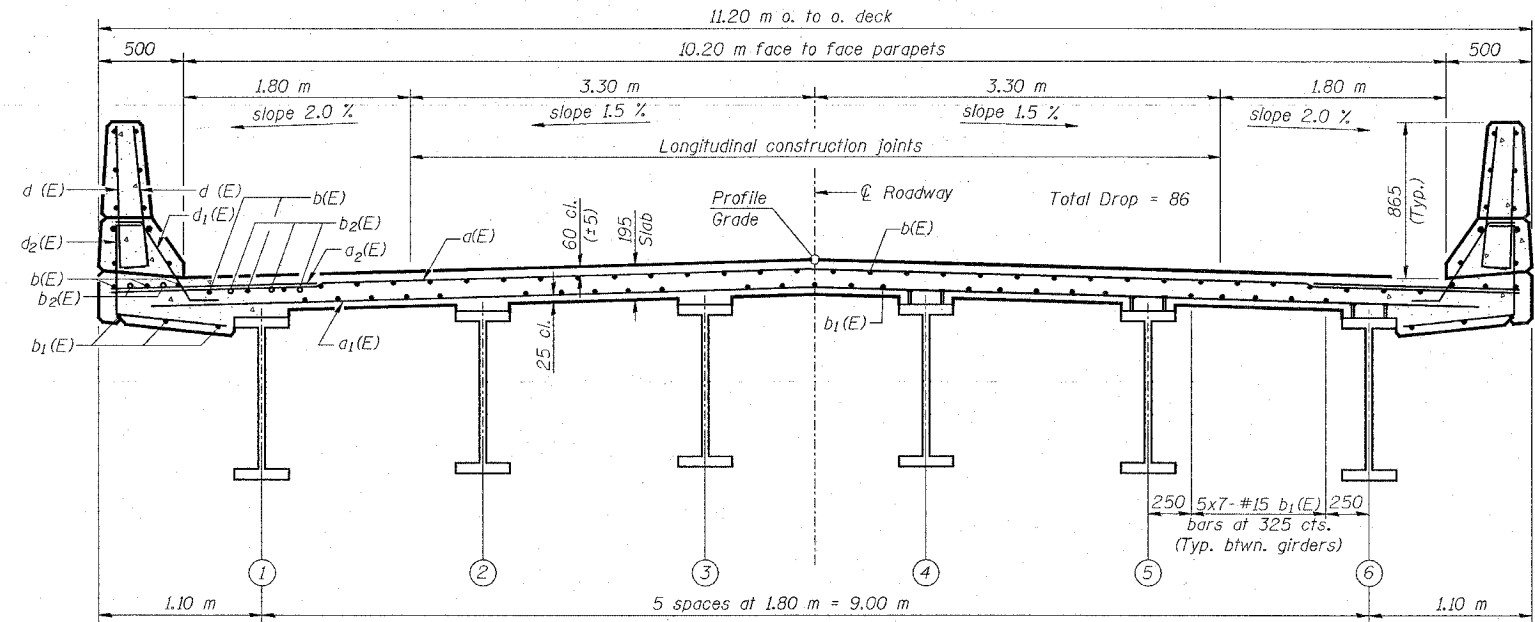


SECTION A-A

MIN. BAR LAP

#15 bars 640
#20 bars 790

Notes: See sheet #8 of 20 for superstructure details and Bill of Material.
See sheet #8 of 20 for parapet reinforcement and details.
Reinforcement bars designated (E) shall be epoxy coated.
Bars indicated thus 20 x 3-#15 etc. indicates 20 lines of bars with 3 lengths per line.



CROSS SECTION
(Looking North)

LIW ENGINEERING LTD.
310 N. CHESTNUT
CHICAGO, ILLINOIS 60610
Tel: (312) 483-4988 Fax: (312) 483-4706
Designed By: [] Checked By: [] Drawn By: []
Date: 02/07 File: 0503356.DWG

REVISIONS	NAME

ILLINOIS DEPARTMENT OF TRANSPORTATION
SUPERSTRUCTURE
WENZEL ROAD OVER F.A.P. RTE. 310
SECTION 60-15HB
MADISON COUNTY
STA. 36+335.990 (FAP 310)
STA. 10+000.000 (WENZEL ROAD)
STRUCTURE NO. 060-0306