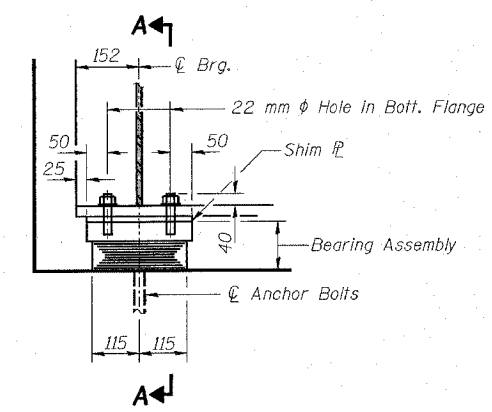


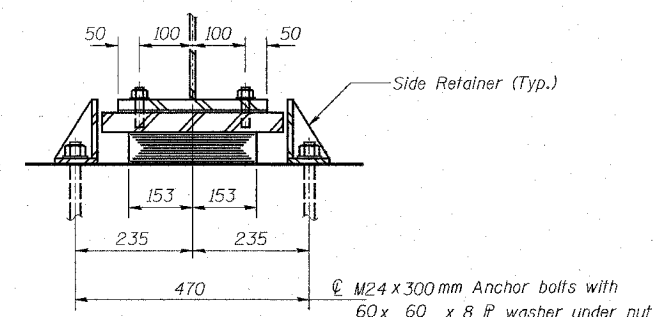
ROUTE NO.	SECTION	COUNTY	TOTAL SHEETS	SHEET	SHEET NO.
F.A.P. 310	60-15HB	MADISON	185	86	20 SHEETS
FED. ROAD DIST. NO.	ILLINOIS	FED. AID PROJECT			

SHEET NO. 11
20 SHEETS

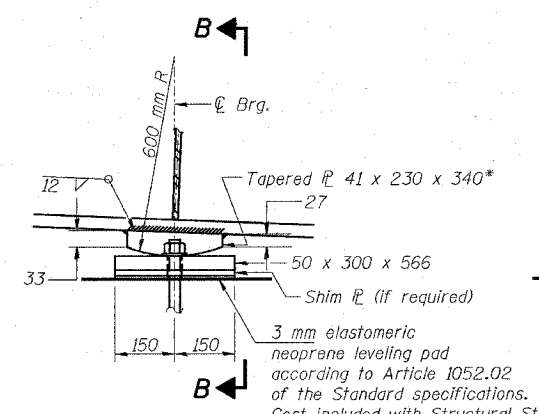
CONTRACT NO. 76626



ELEVATION AT ABUT.

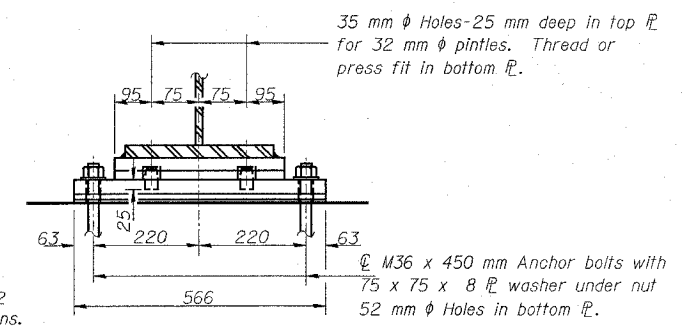


SECTION A-A



ELEVATION AT PIER
(Looking West)

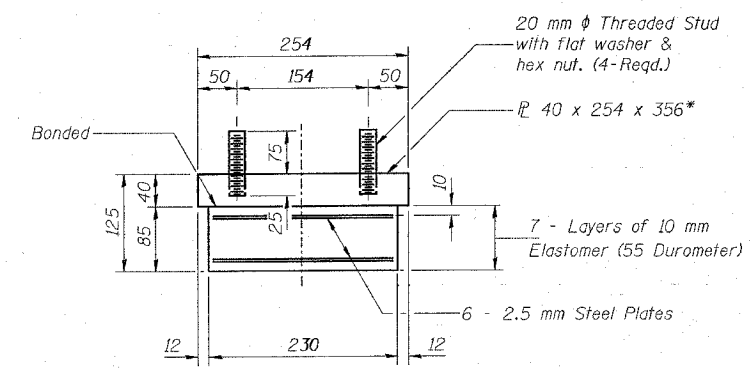
FIXED BEARING



SECTION B-B

TYPE I ELASTOMERIC EXP. BRG.

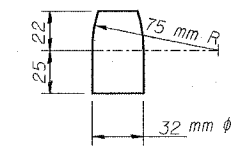
Notes: Anchor bolts at fixed bearings may be built into the masonry.
See sheet # 17 of 20 for Anchor Bolt installation.



BEARING ASSEMBLY

Note: Shim plates shall not be placed under Bearing Assembly.

* AASHTO M270M, Grade 345



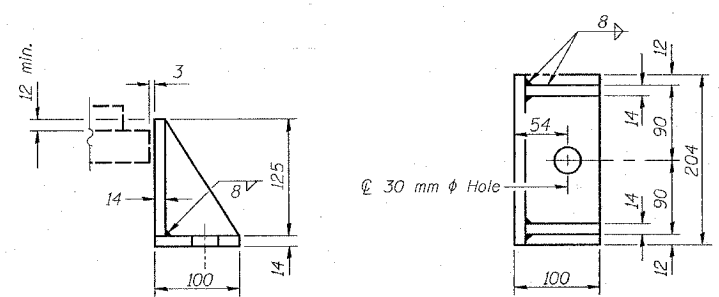
PINTLE

***Shim Plate Dimensions**

	So. Abut.	No. Abut.
Girder No.1	-	-
Girder No.2	-	-
Girder No.3	11x300x254	-
Girder No.4	-	4x300x254
Girder No.5	-	-
Girder No.6	-	9x300x254

BILL OF MATERIAL

Item	Unit	Total
Elastomeric Bearing Assembly, Type I	Each	12



SIDE RETAINER

Equivalent rolled angle with stiffeners will be allowed in lieu of welded plates.
Mass included with Structural Steel.

LIU ENGINEERING, LTD.
219 N. Chestnut
Channahon, Illinois 62620
Tel: (815) 493-4628 Fax: (815) 493-4106
Designed By: MTH Checked By: PBL Drawn By: JNG
Date: 02/03 File: 060306.DWG

REVISIONS
NAME

ILLINOIS DEPARTMENT OF TRANSPORTATION
BEARING DETAILS
WENZEL ROAD OVER F.A.P. RTE 310
SECTION 60-15HB
MADISON COUNTY
STA. 36+335.990 (FAP 310)
STA. 10+000.000 (WENZEL ROAD)
STRUCTURE NO. 060-0306