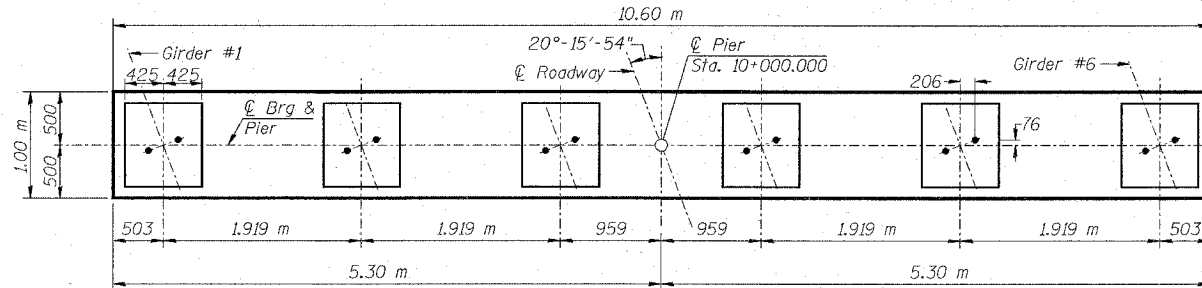


Notes: Space reinforcement in cap to miss anchor bolts.
 Four steps monolithically with cap.
 All edges shall have standard 20 mm chamfers except as noted.

PILE DATA

Type: HP250 x 62
 Nominal Required Bearing: 1489 kN
 Allowable Resistance Available: 496 kN
 Est. Length: 8.9 m
 No. Req'd: 24



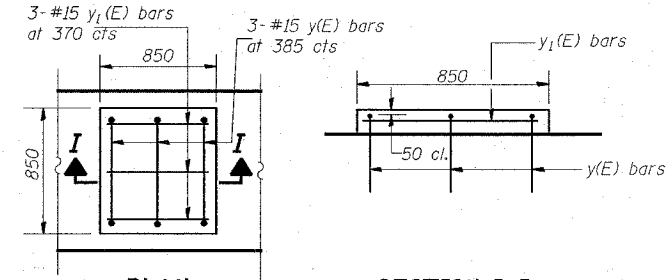
TOP PLAN

ROUTE NO.	SECTION	COUNTY	JOB NO.	SHEET	SHEET NO. 15 20 SHEETS
F.A.P. 310	60-15HB	MADISON	185	90	
ILLINOIS		FED. AID PROJECT		CONTRACT NO. 76626	

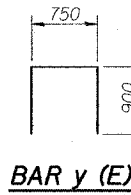
Note: Board Thickness Varying From 6 mm to 25 mm
 Should Be Used in Random Pattern.

DETAIL OF BOARD TEXTURE FINISH

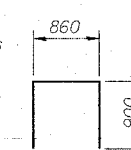
The Board Texture Finish May Vary Slightly Due to Variations in Form Liner Selected. The Form Liner Shall Provide the Approximate Dimensions in a Random Pattern and Shall Be Approved by the Engineer. See Special Provisions.



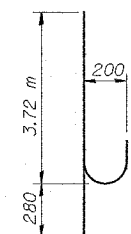
REINFORCEMENT DETAIL OF PIER SEATS (TYP)
 (Girders 2 thru 6)



BAR y (E)



BAR s (E)

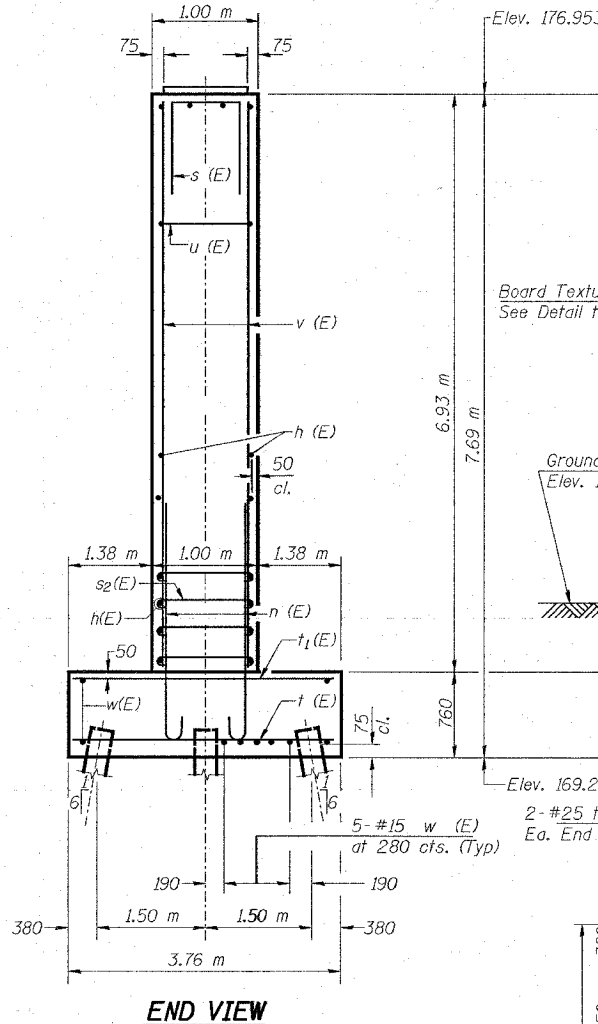


BAR n (E)

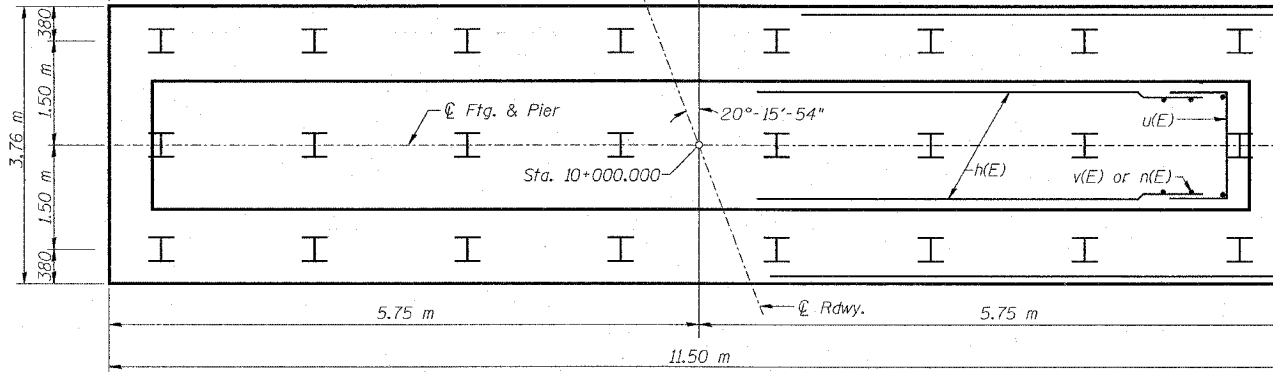
BILL OF MATERIAL

Bar	No.	Size	Length (m)	Shape
h (E)	50	#15	10.50	—
n (E)	94	#25	4.00	—
s (E)	43	#15	2.66	—
sp2(E)	76	#15	1.34	—
t (E)	46	#25	3.66	—
t1(E)	39	#20	3.66	—
u (E)	48	#20	3.06	—
v (E)	94	#20	4.64	—
w (E)	25	#15	11.40	—
y (E)	15	#15	2.55	—
y1(E)	15	#15	0.77	—
Concrete Structures		m ³	108.5	
Reinforcement Bars, Epoxy Coated		kg	5520	
Structure Excavation		m ³	78	
Furnishing Steel Piles		m	213.6	
Driving Steel Piles		m	213.6	
Form Liner Textured Surface		m ²	165	

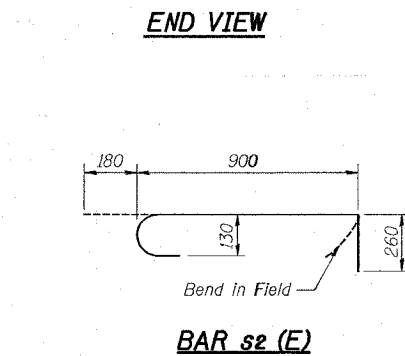
ILLINOIS DEPARTMENT OF TRANSPORTATION
PIER
 WENZEL ROAD OVER F.A.P. RTE 310
 SECTION 60-15HB
 MADISON COUNTY
 STA. 36+335.990 (FAP 310)
 STA. 10+000.000 (WENZEL ROAD)
 STRUCTURE NO. 060-0306



ELEVATION
 (Looking North)



FOOTING PLAN



END VIEW

BAR sp2 (E)

Reinforcement Bars designated (E) shall be epoxy coated.

LIN ENGINEERING, LTD.
 30 W. Chestnut
 Channahon, Illinois 61613
 (815) 463-4668
 FAX (815) 463-4705
 Designed By: WTH
 Checked By: PBL
 Drawn By: JMD
 Date: 02/03
 File: 0600306.DWG

REVISIONS	
NO.	DESCRIPTION