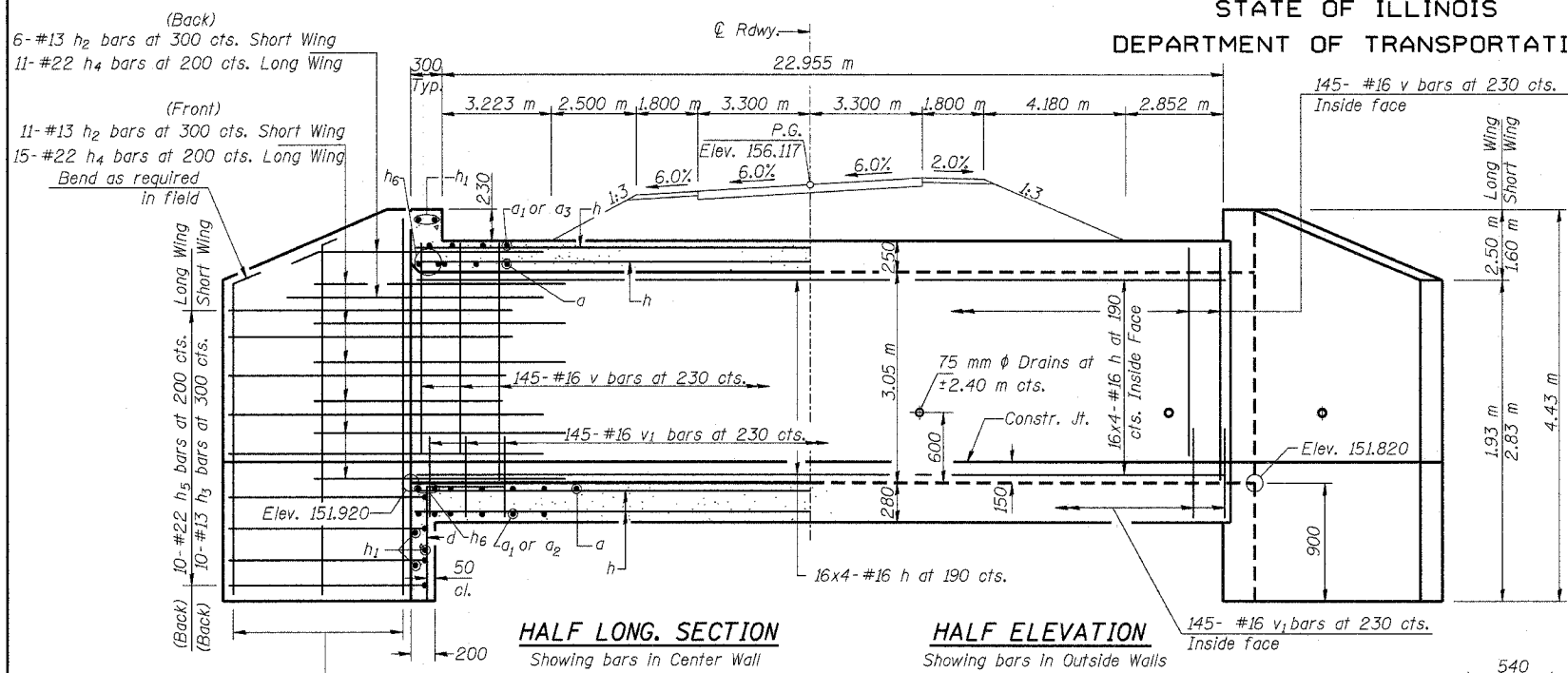


STATE OF ILLINOIS
DEPARTMENT OF TRANSPORTATION

ROUTE NO.	SECTION	COUNTY	TOTAL SHEETS	SHEET NO.
F.A.P. 310	60-15HB	MADISON	185	97
FED. ROAD DIST. NO.	ILLINOIS	FED. AID PROJECT-		

CONTRACT NO. 76626

SHEET NO. 2
3 SHEETS



HALF LONG SECTION

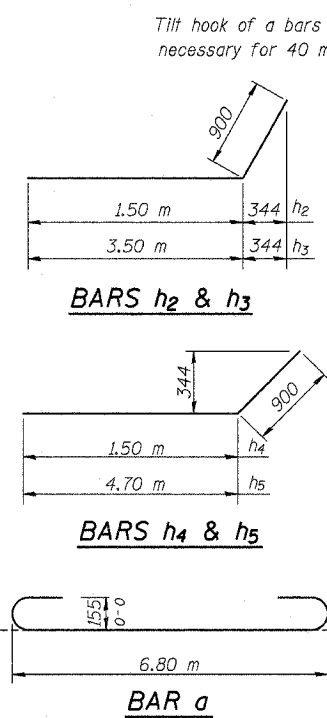
HALF ELEVATION

Showing bars in Center Wall

Showing bars in Outside Walls

REINFORCEMENT

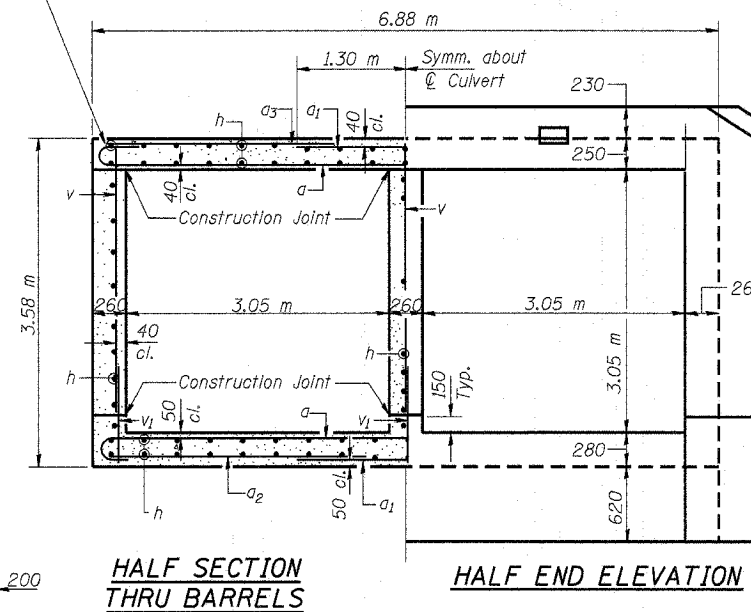
Dimensions at Rt. L. to tangent to ϕ Roadway at sta. 10+438.692



BARS h_2 & h_3

BARS h_4 & h_5

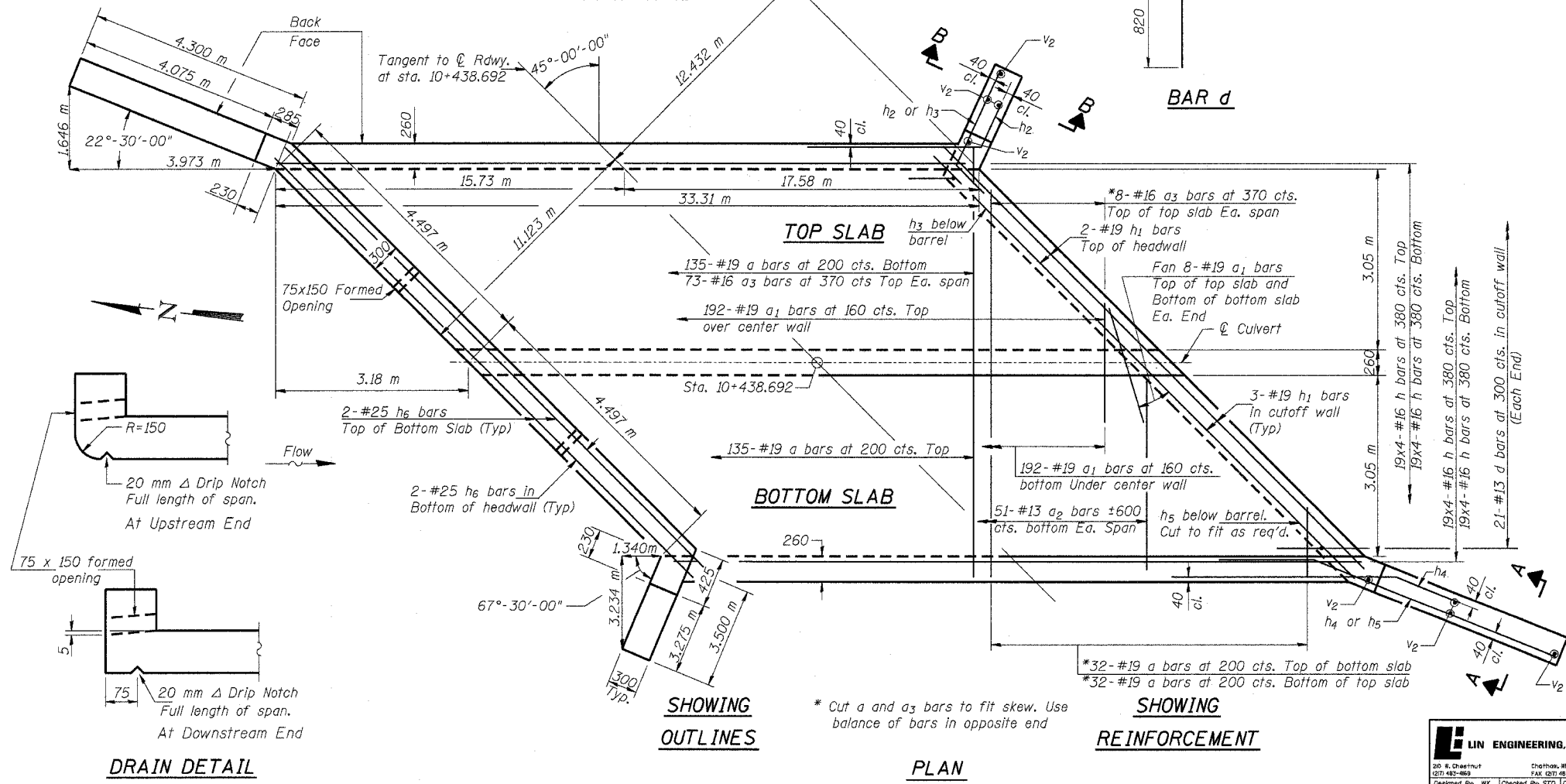
BAR a



HALF SECTION THRU BARRELS

HALF END ELEVATION

MIN. BAR LAP
16 Bars = 550



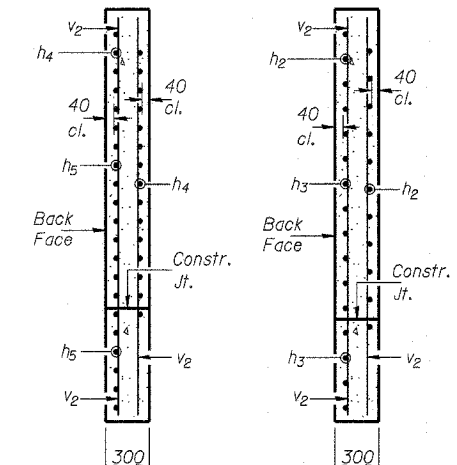
TOP SLAB

BOTTOM SLAB

SHOWING OUTLINES

SHOWING REINFORCEMENT

PLAN



SECTION A-A

SECTION B-B

BILL OF MATERIAL

Bar	No.	Size	Length (m)	Shape
a	334	#19	7.20	U
a1	416	#19	2.60	—
a2	102	#13	3.04	—
a3	162	#16	2.85	—
d	42	#13	1.36	—
h	496	#16	8.72	—
h1	10	#19	9.62	—
h2	34	#13	2.40	—
h3	20	#13	4.40	—
h4	52	#22	2.40	—
h5	20	#22	5.60	—
h6	8	#25	9.62	—
v	435	#16	3.08	—
v1	435	#16	1.02	—
v2	16	#13	4.36	—
Concrete			m ³	221.5
Box Culverts				
Reinforcement Bars			kg	19840

Bars indicated thus 1 x 2 - #5 etc. indicates 1 line of bars with 2 lengths per line.

ILLINOIS DEPARTMENT OF TRANSPORTATION
REINFORCEMENT DETAILS
WENZEL ROAD OVER ROCK CREEK BRANCH
SECTION 60- 15HB
MADISON COUNTY
STA. 10+438.692
STRUCTURE NUMBER 060-6900

LIN ENGINEERING, LTD.
30 S. Chestnut
Chicago, Illinois 60609
(312) 483-4869
FAX (312) 483-4108
Designed By: WJ
Checked By: STJ
Date: 07/03
Drawn By: JMD
File: 060-6900.DWG

REVISIONS	NAME