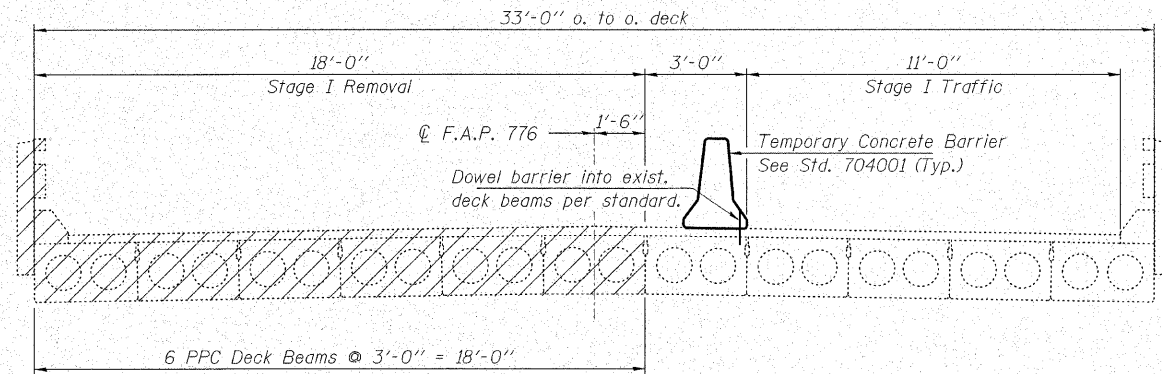


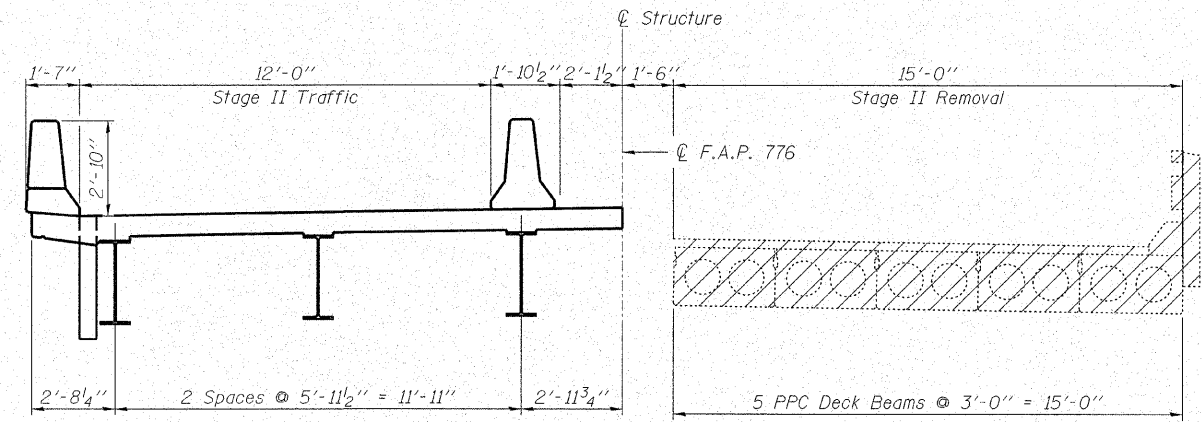
STATE OF ILLINOIS  
DEPARTMENT OF TRANSPORTATION

ROUTE NO. F.A.P. 776	SECTION (116BR-1)B-1	COUNTY HAMILTON	TOTAL SHEETS 140	SHEET NO. 22	SHEET NO. 3 25 SHEETS
FED. ROAD DIST. NO. 7		ILLINOIS	FED. AID PROJECT		

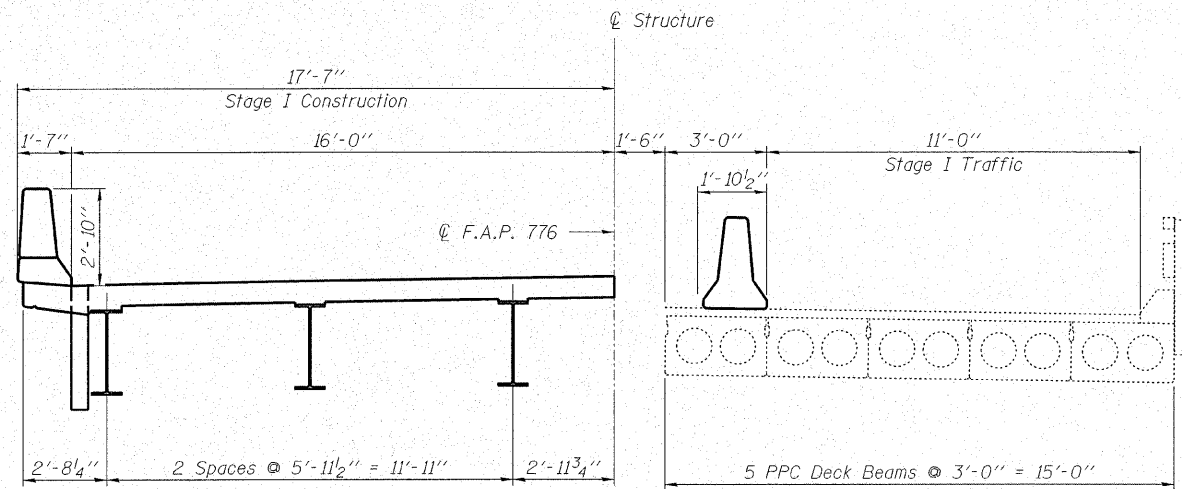
Contract #78006



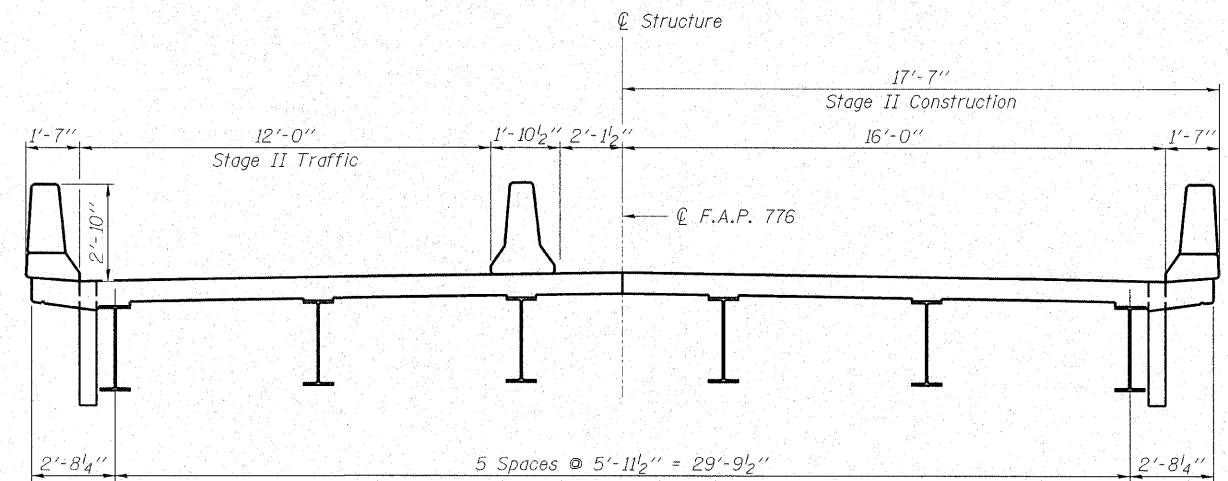
**STAGE I REMOVAL**  
(Looking South)



**STAGE II REMOVAL**  
(Looking South)



**STAGE I CONSTRUCTION**  
(Looking South)



**STAGE II CONSTRUCTION**  
(Looking South)

PLOT DATE: 10/26/2007 FILE NAME: 03300051-78006-41021b-r.dwg 0250.dgn

**HAMPTON, LENZINI & RENWICK, INC.**  
CIVIL & STRUCTURAL ENGINEERS  
LAND SURVEYORS

3085 STEVENSON DRIVE, SUITE 201  
SPRINGFIELD, ILLINOIS 62703  
(217) 548-3400

ELGIN • SPRINGFIELD

PROJECT NUMBER: 12-41-0021-I DATE: 10/25/07  
DESIGNED: P.L. CHECKED: S.W.M. DRAWN: D.T.M.

**STAGE CONSTRUCTION DETAILS**  
**IL ROUTE 142 OVER CONTRARY CREEK**  
**F.A.P. ROUTE 776 - SECTION (116BR-1)B-1**  
**HAMILTON COUNTY**  
**STRUCTURE NO. 033-0050 / STATION 516+75**