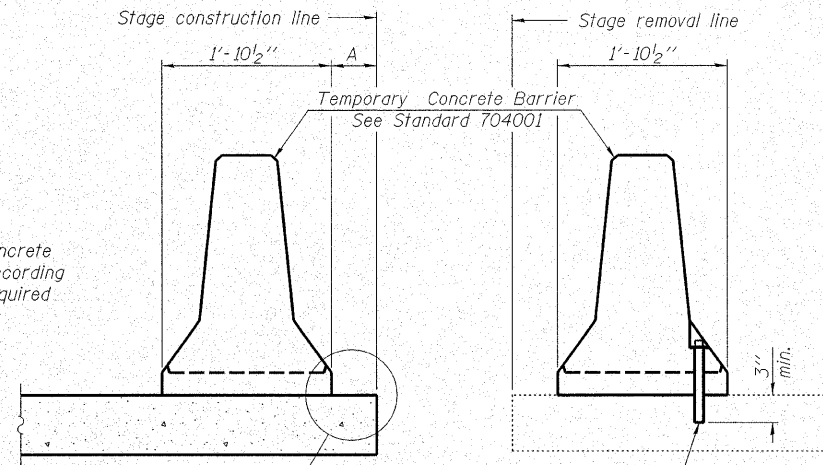


STATE OF ILLINOIS
DEPARTMENT OF TRANSPORTATION

ROUTE NO.	SECTION	COUNTY	TOTAL SHEETS	SHEET NO.	SHEET NO. 4 25 SHEETS
F.A.P. 776	(1)6BR -1)B-1	HAMILTON	140	23	
FED. ROAD DIST. NO. 7	ILLINOIS	FED. AID PROJECT			

Contract #78006



When "A" is 3'-6" or less, the temporary concrete barrier shall be anchored to the new slab according to Detail I or Detail II. No anchorage is required when "A" is greater than 3'-6".

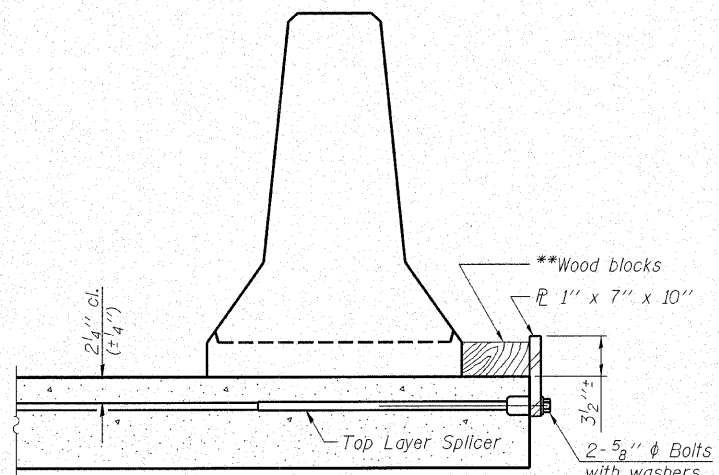
See Detail I or Detail II.

Drill 1/4" ϕ Holes in existing slab for 1" ϕ x 11" dowel bars. Traffic side only. Cost included with Temporary Concrete Barrier.

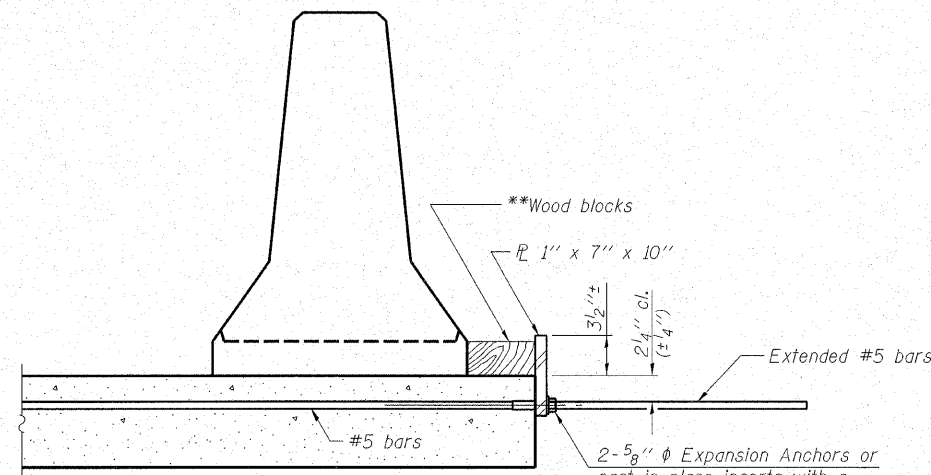
NEW SLAB

EXISTING SLAB

SECTIONS THRU SLAB



DETAIL I

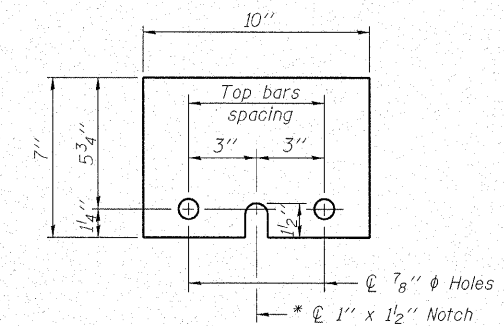


DETAIL II

** Wood blocks may be omitted when required to provide minimum stage traffic lane width. When the wood blocks are omitted, the concrete barrier shall be in direct contact with the steel retainer plate.

NOTES

- Detail I - With Bar Splicer or Couplers:
Connect one (1) 1"x7"x10" steel \bar{P} to the top layer of couplers with 2-5/8" ϕ bolts screwed to coupler at approximate \bar{C} of each barrier panel.
 - Detail II - With Extended Reinforcement Bars:
Connect one (1) 1"x7"x10" steel \bar{P} to the concrete slab with 2-5/8" ϕ Expansion Anchors or cast in place inserts spaced between the top layer of reinforcement at approximate \bar{C} of each barrier panel.
- Cost of anchorage is included with Temporary Concrete Barrier.
The 1" x 7" x 10" plate shall not be removed until stage II construction forms and all reinforcement bars are in place and the concrete is ready to be placed.



STEEL RETAINER \bar{P} 1" x 7" x 10"

* Required only with Detail II

PLOT DATE : 10/26/2007 FILE NAME = 0530051-78006-41021.brr.dwg 0050.dgn

HAMPTON, LENZINI & RENWICK, INC.
CIVIL & STRUCTURAL ENGINEERS
LAND SURVEYORS

3085 STEVENSON DRIVE, SUITE 201
SPRINGFIELD, ILLINOIS 62703
(217) 546-3400

ELGIN • SPRINGFIELD

PROJECT NUMBER: 12-41-0021-1 DATE: 10/25/07
DESIGNED: P.L. CHECKED: S.W.M. DRAWN: D.T.M.

**TEMPORARY CONCRETE BARRIER
FOR STAGE CONSTRUCTION**
IL ROUTE 142 OVER CONTRARY CREEK
F.A.P. ROUTE 776 - SECTION (1)6BR-1)B-1
HAMILTON COUNTY
STRUCTURE NO. 033-0050 / STATION 516+75