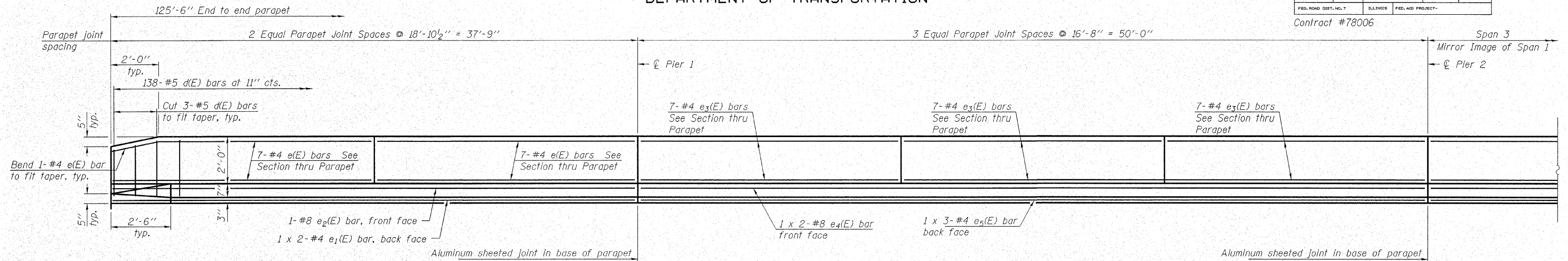


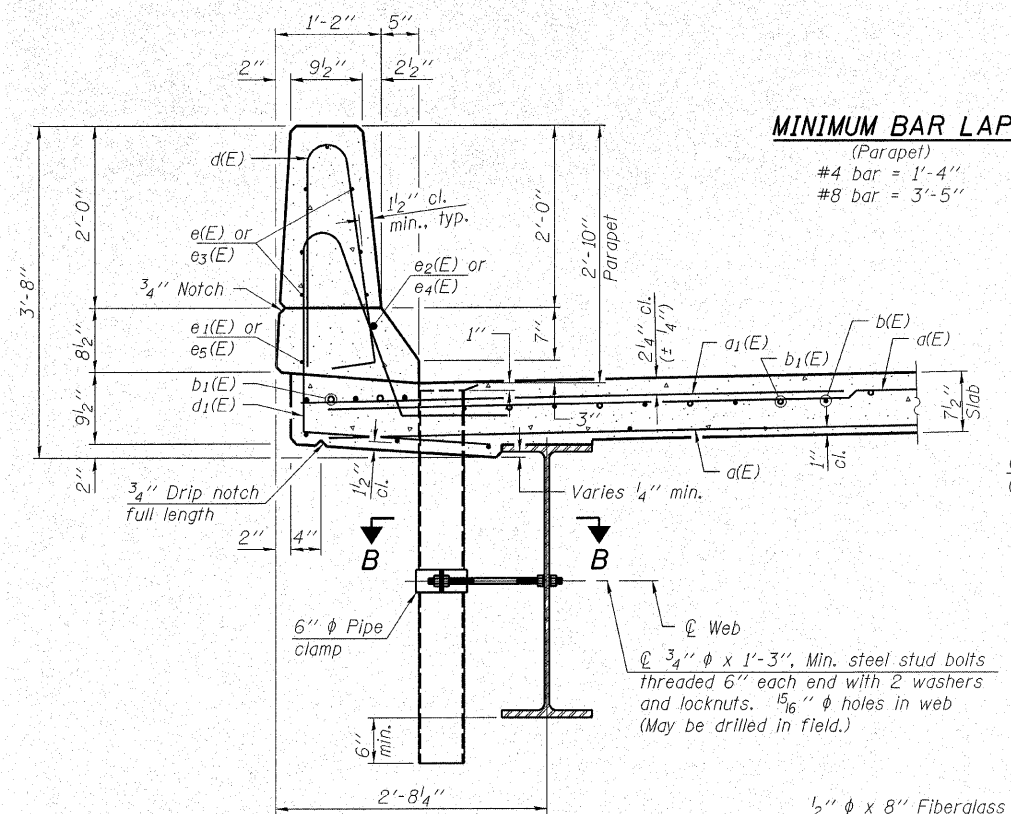
STATE OF ILLINOIS
DEPARTMENT OF TRANSPORTATION

ROUTE NO. F.A.P. 776	SECTION (116BR -11B-1	COUNTY HAMILTON	TOTAL SHEETS 140	SHEET NO. 31	SHEET NO. 12 25 SHEETS
FED. ROAD DIST. NO. 7		ILLINOIS		FED. AID PROJECT-	

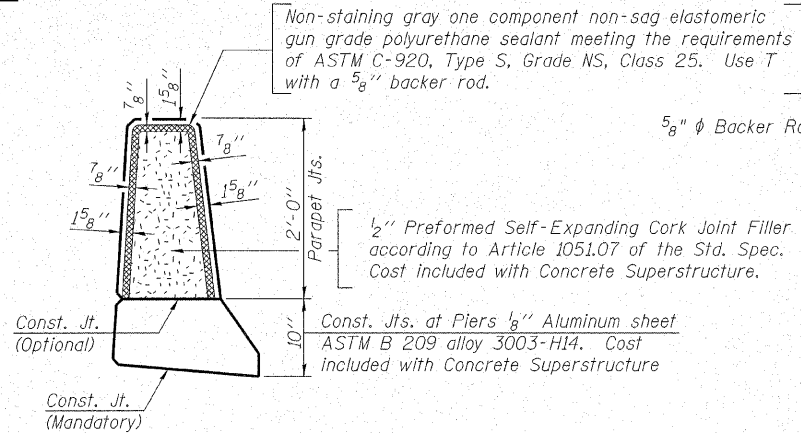
Contract #78006



INSIDE ELEVATION OF NORTH PARAPET
(South Parapet Opposite Hand)

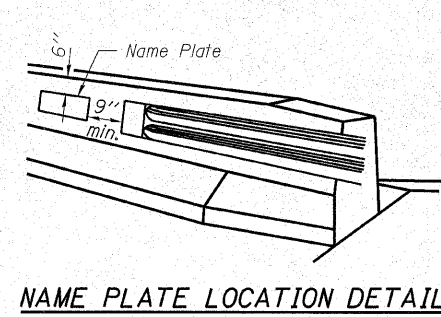


MINIMUM BAR LAP
(Parapet)
#4 bar = 1'-4"
#8 bar = 3'-5"



PARAPET JOINT DETAILS

Notes:
The exterior surfaces of the floor drains shall be painted with the finish coat as specified in the special provisions for Cleaning and Painting New Metal Structures. The exterior surfaces of the drains shall be cleaned according to Steel Structures Painting Council's Spec. SSPC-SPI prior to painting. Fiberglass pipe shall conform to ASTM D 2996, with short-time rupture strength hoop tensile stress of 30,000 p.s.i. minimum. For detail of bar s(E) see Sheet 13 of 25.

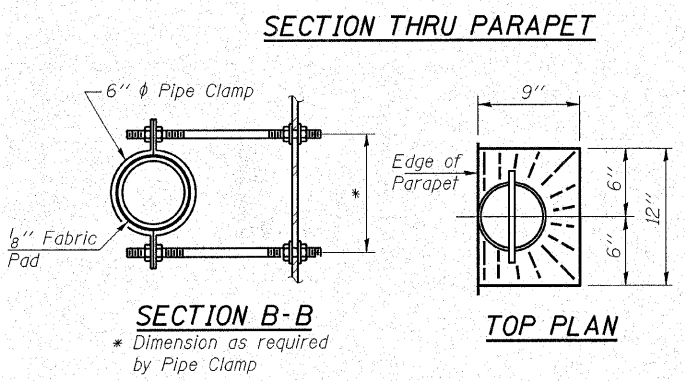


NAME PLATE LOCATION DETAIL

SUPERSTRUCTURE
BILL OF MATERIAL

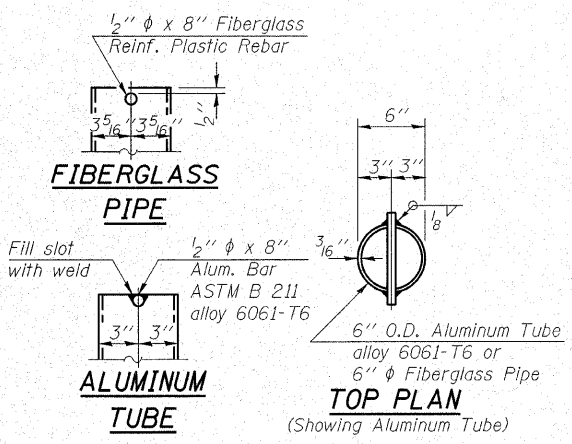
Bar No.	Size	Length	Shape
a(E)	696 #5	17'-3"	—
a1(E)	198 #6	6'-0"	—
a2(E)	8 #5	18'-10"	—
b(E)	190 #5	26'-10"	—
b1(E)	68 #6	23'-9"	—
b2(E)	192 #5	22'-9"	—
d(E)	276 #5	5'-7"	⌒
d1(E)	276 #5	7'-5"	⌒
e(E)	56 #4	18'-7"	—
e1(E)	8 #4	19'-5"	—
e2(E)	4 #8	37'-6"	—
e3(E)	42 #4	16'-5"	—
e4(E)	4 #8	26'-7"	—
e5(E)	6 #4	17'-6"	—
m(E)	8 #6	17'-10"	—
m1(E)	12 #6	18'-10"	—
m2(E)	24 #6	8'-6"	—
m3(E)	8 #6	6'-1"	—
m4(E)	8 #6	2'-6"	—
s(E)	72 #5	5'-8"	⌒
s1(E)	64 #4	8'-10"	⌒
v(E)	64 #5	3'-4"	⌒
Concrete Superstructure		Cu. Yds.	155.7
Bar Splicers		Each	432
Reinforcement Bars, Epoxy Coated		Pound	34,510

Bars indicated thus 1 x 2-#5 etc. indicates 1 line of bars with 2 lengths per line.



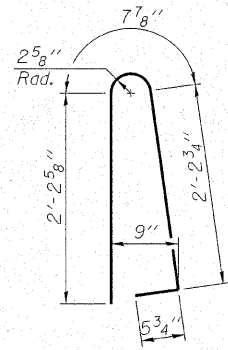
SECTION B-B
* Dimension as required by Pipe Clamp

TOP PLAN

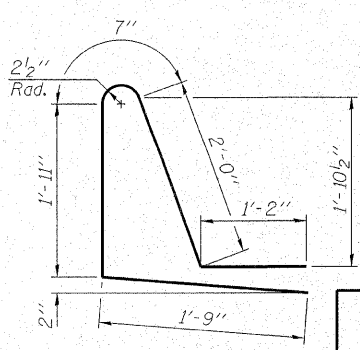


FIBERGLASS PIPE

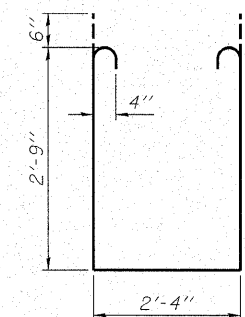
ALUMINUM TUBE



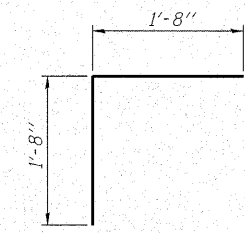
BAR d(E)



BAR d1(E)



BAR s1(E)



BAR v(E)

HAMPTON, LENZINI & RENWICK, INC.
CIVIL & STRUCTURAL ENGINEERS
LAND SURVEYORS

3085 STEVENSON DRIVE, SUITE 201
SPRINGFIELD, ILLINOIS 62703
(217) 546-3400

ELGIN • SPRINGFIELD

PROJECT NUMBER: 12-41-0021-1 DATE: 10/25/07
DESIGNED: P.L. CHECKED: S.W.M. DRAWN: D.T.M.

SUPERSTRUCTURE DETAILS

IL ROUTE 142 OVER CONTRARY CREEK
F.A.P. ROUTE 776 - SECTION (116BR-11B-1)
HAMILTON COUNTY
STRUCTURE NO. 033-0050 / STATION 516+75

PLOT DATE: 11/26/2007 FILE NAME: 0330051-78006-41021br.dgn

S-I-D

11-1-06