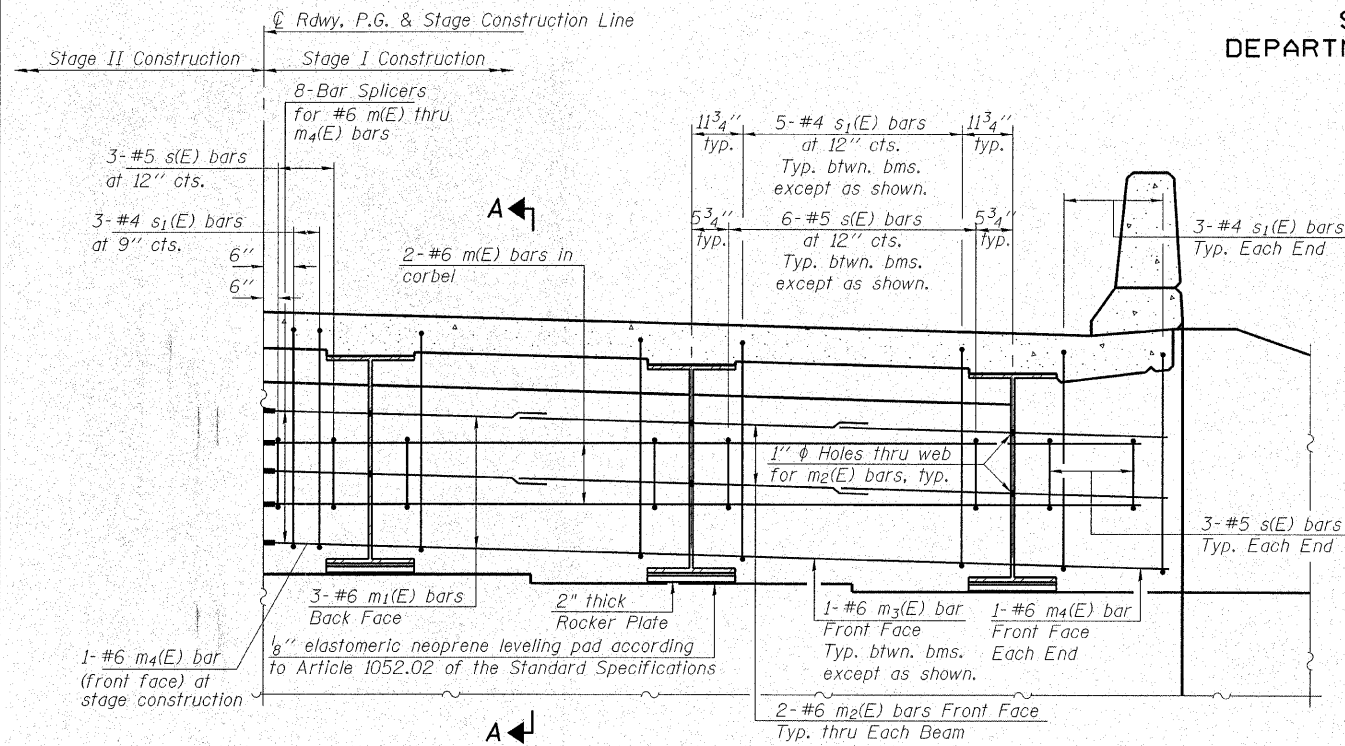


STATE OF ILLINOIS
DEPARTMENT OF TRANSPORTATION

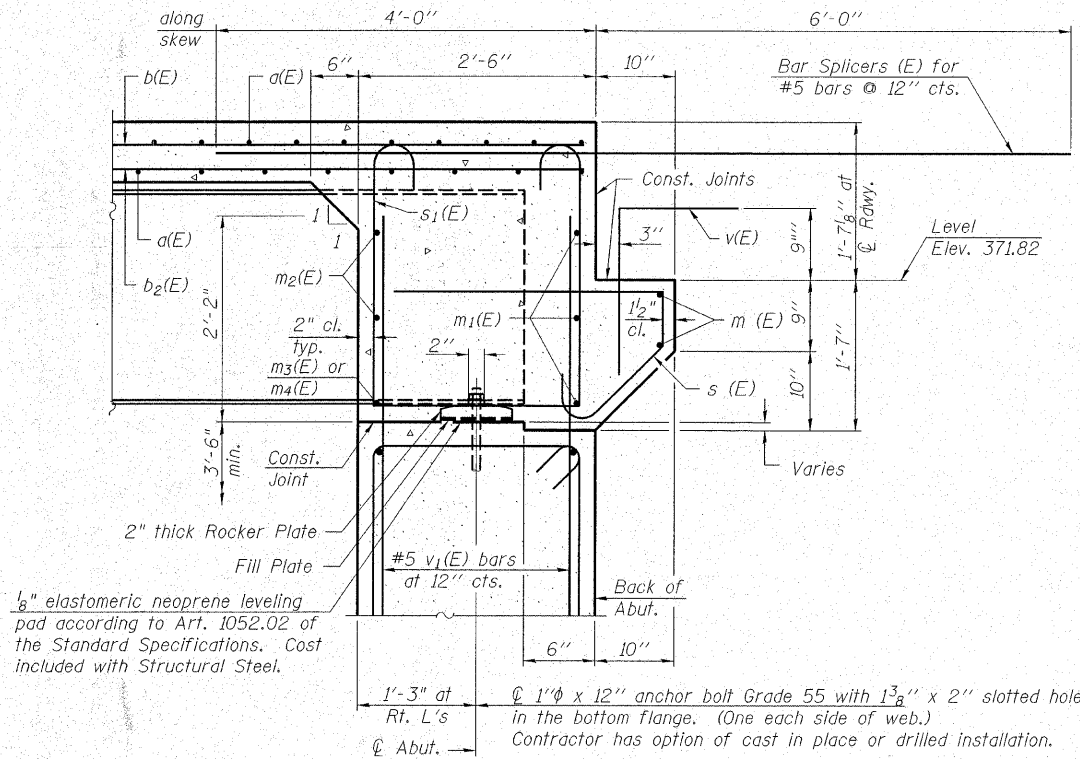
ROUTE NO.	SECTION	COUNTY	TOTAL SHEETS	SHEET NO.
F.A.P. 776	116BR-11B-1	HAMILTON	140	32
FED. ROAD DIST. NO. 7	ILLINOIS	FED. AID PROJECT-		

SHEET NO. 13
25 SHEETS

Contract #78006

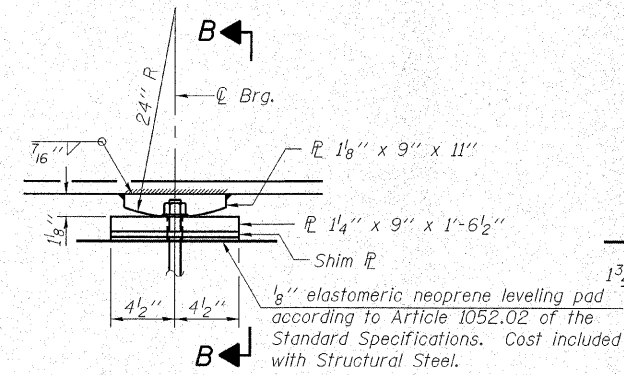


DIAPHRAGM ELEVATION AT NORTH ABUTMENT
(South Abutment opposite hand)



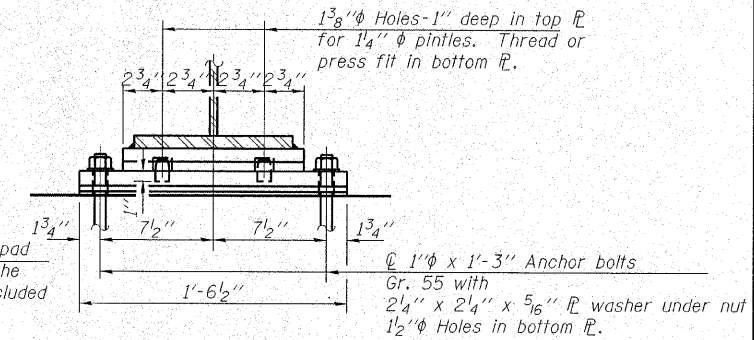
SECTION A-A

See Sheet 11 of 25 for location of SECTION A-A.
Dimensions at right angles to abutment, except as shown.

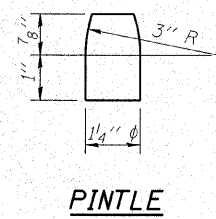


ELEVATION AT PIER

FIXED BEARING AT PIERS

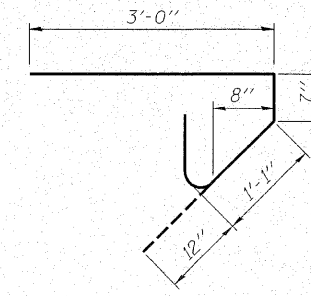


SECTION B-B

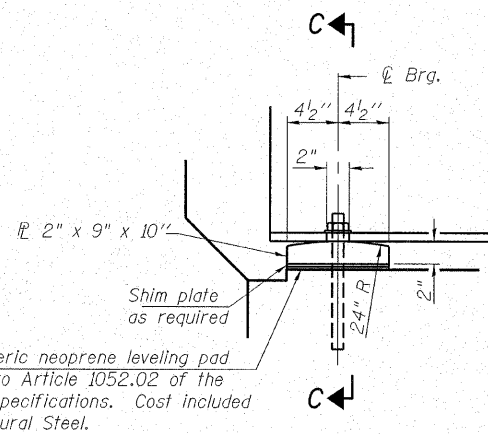


PINTLE

MINIMUM BAR LAP
(Diaphragm)
#6 bar = 2'-9"

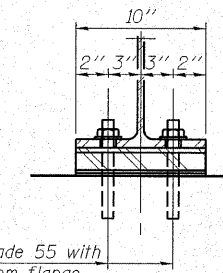


BAR s(E)



ELEVATION AT ABUTMENT

FIXED BEARING AT ABUTMENTS



SECTION C-C

Notes:
Anchor bolts shall be ASTM F1554 all-thread (or an Engineer-approved alternate material) of the grade(s) and diameter(s) specified. ASTM A307 Grade C anchor bolts may be used in lieu of ASTM F1554 Grade 36 (Fy=36ksi). The corresponding specified grade of AASHTO M314 anchor bolts may be used in lieu of ASTM F1554.
Anchor bolts of fixed bearings may be either cast in place or installed in holes drilled after the supported member is in place.
Drilled and set anchor bolts shall be installed according to Article 521.06 of the Standard Specifications.
Two 1/8 inch adjusting shims shall be provided for each bearing in addition to all other plates or shims and placed as shown on bearing details.

BILL OF MATERIAL

Item	Unit	Total
Anchor Bolts 1" ϕ	Each	48

Notes:
Reinforcement bars in diaphragm are billed with superstructure on sheet 12 of 25.
Concrete in diaphragm is included with Concrete Superstructure on sheet 12 of 25.
For details of bars s1(E) see sheet 12 of 25.
The s(E) and s1(E) bars shall be placed parallel to the beams. Spacing for these bars shall be at right angles to the beams.

HAMPTON, LENZINI & RENWICK, INC.
CIVIL & STRUCTURAL ENGINEERS
LAND SURVEYORS

3085 STEVENSON DRIVE, SUITE 201
SPRINGFIELD, ILLINOIS 62703
(217) 546-3400

ELGIN • SPRINGFIELD

PROJECT NUMBER: 12-41-0021-1 DATE: 10/25/07
DESIGNED: P.L. CHECKED: S.W.M. DRAWN: D.T.M.

SUPERSTRUCTURE DETAILS
IL ROUTE 142 OVER CONTRARY CREEK
F.A.P. ROUTE 776 - SECTION (116BR-11B-1)
HAMILTON COUNTY
STRUCTURE NO. 033-0050 / STATION 516+75