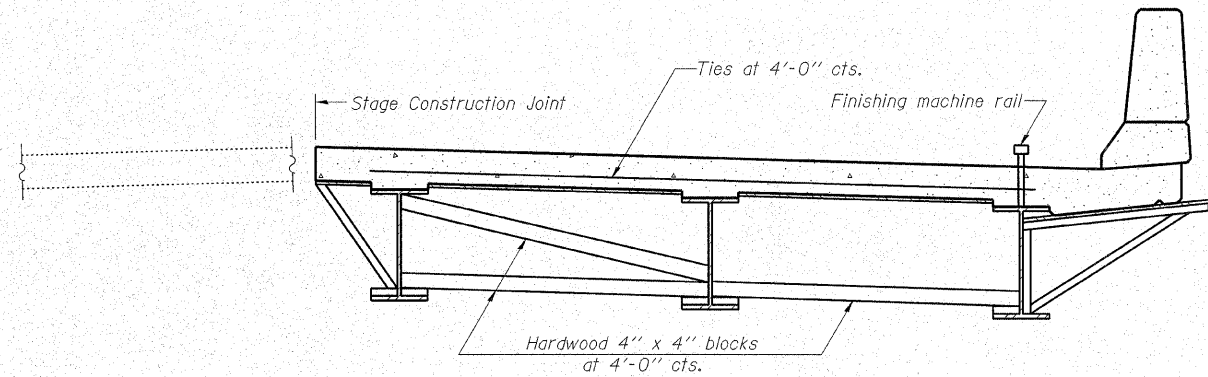


STATE OF ILLINOIS
DEPARTMENT OF TRANSPORTATION

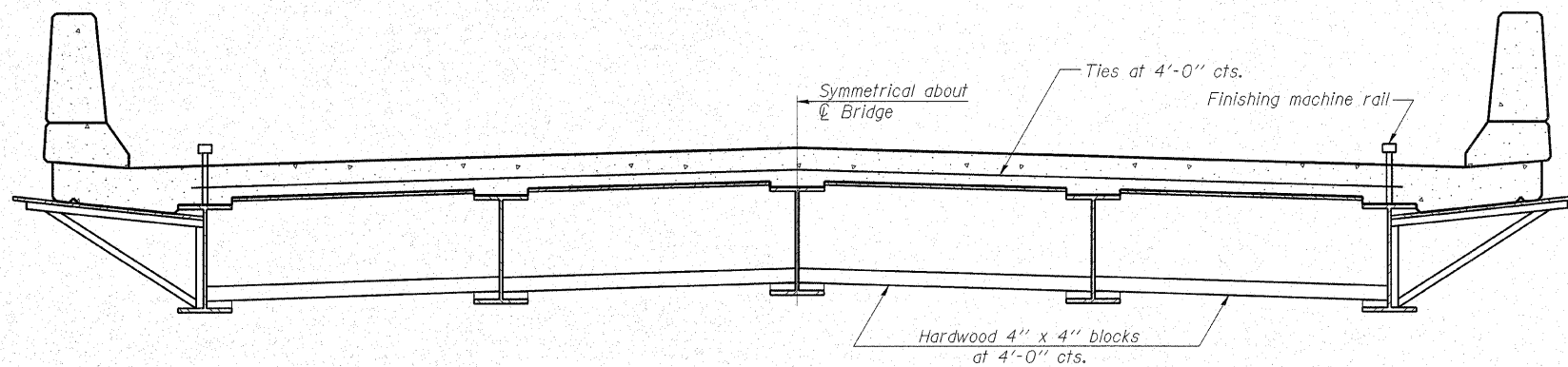
ROUTE NO.	SECTION	COUNTY	TOTAL SHEETS	SHEET NO.	SHEET NO. 21
F.A.P. 776	(116BR -1)B-1	HAMILTON	140	40	25 SHEETS
FED. ROAD DIST. NO. 7		ILLINOIS		FED. AID PROJECT	

Contract #78006



**FORM BRACES FOR
STAGE CONSTRUCTION**

When cantilever forming brackets are used, the work shall be done according to Article 503.06(b) of the Standard Specifications, except as modified below and in the details shown on this sheet.
The finishing machine rails shall be placed on the top flange of the exterior beams.
The beams or girders, supporting cantilever forming brackets, shall be tied together at 4 foot intervals.
For Standard construction, or Stage Construction the Hardwood bracing materials shall be placed as shown between webs of beams in each bay.



**FORM BRACES FOR
STANDARD CONSTRUCTION**

PLOT DATE: 10/26/2007 FILE NAME: 03300051-78006-41021br1dgr0050.dgn

SB-1

11-1-06

<p>HAMPTON, LENZINI & RENWICK, INC. CIVIL & STRUCTURAL ENGINEERS LAND SURVEYORS</p> <p>3085 STEVENSON DRIVE, SUITE 201 SPRINGFIELD, ILLINOIS 62703 (217) 546-3400</p> <p>ELGIN • SPRINGFIELD</p>		<p>CANTILEVER FORMING BRACKETS</p> <p>IL ROUTE 142 OVER CONTRARY CREEK</p> <p>F.A.P. ROUTE 776 - SECTION (116BR-1)B-1</p> <p>HAMILTON COUNTY</p> <p>STRUCTURE NO. 033-0050 / STATION 516+75</p>	
<p>PROJECT NUMBER: 12-41-0021-i</p> <p>DESIGNED: P.L.</p>		<p>DATE: 10/25/07</p> <p>CHECKED: S.W.M.</p> <p>DRAWN: D.T.M.</p>	