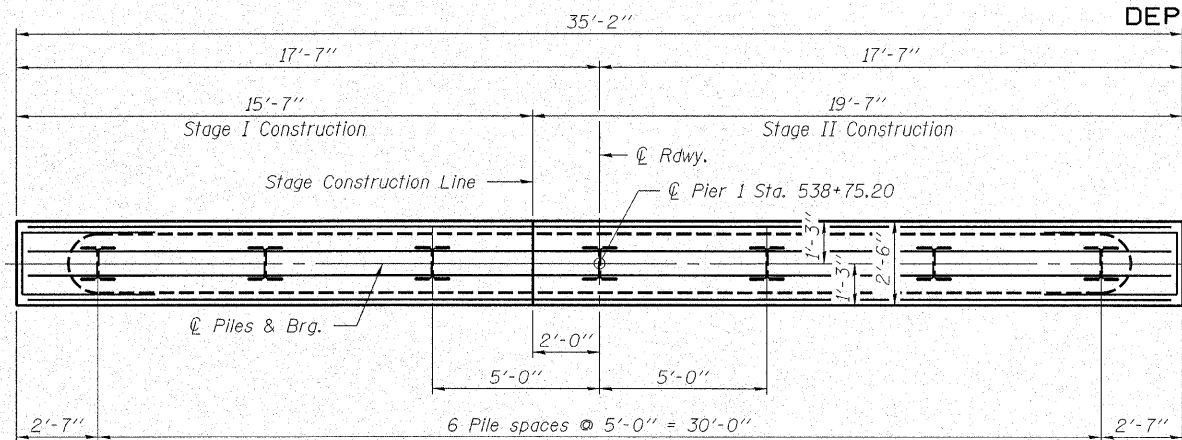


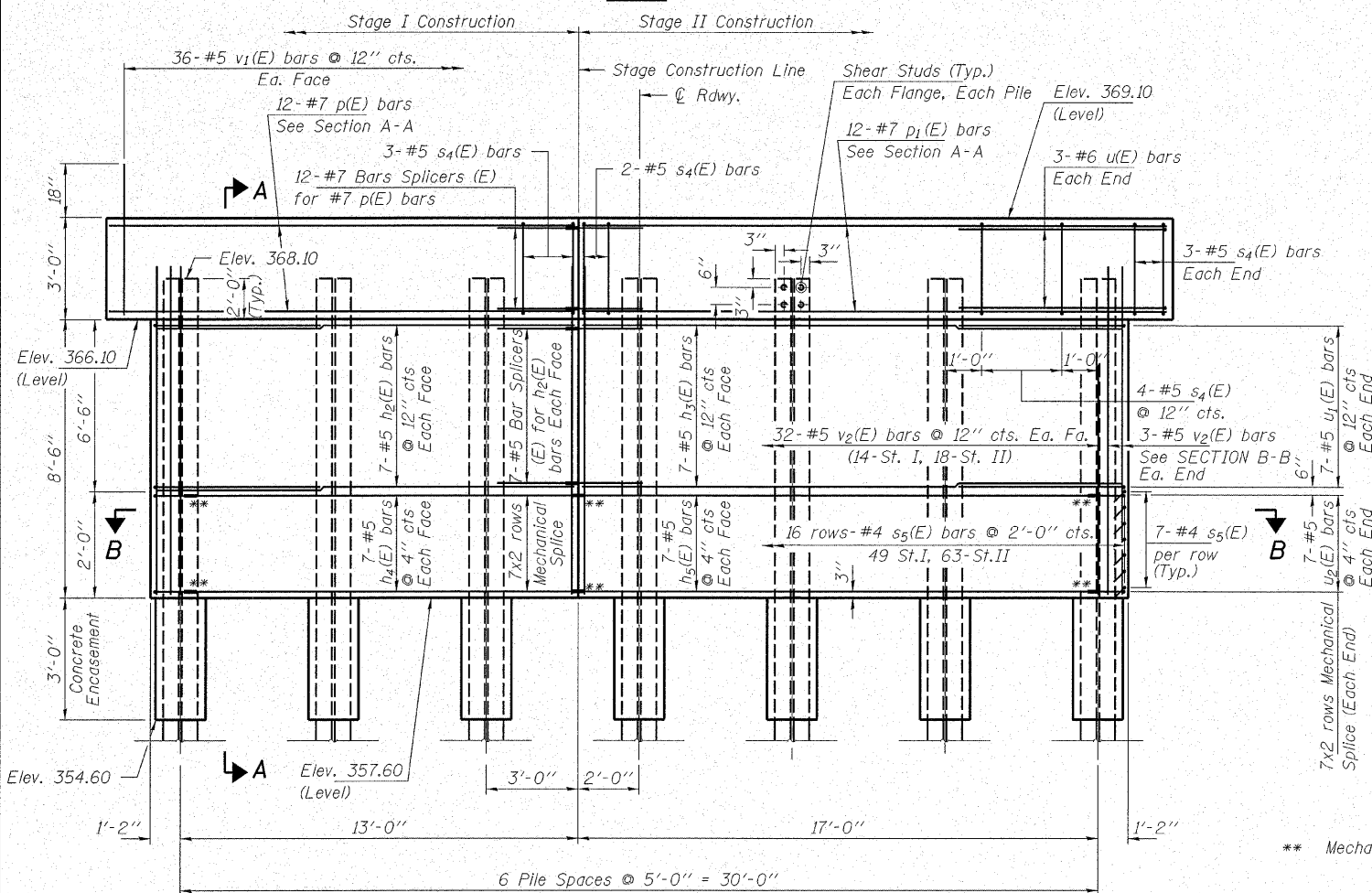
STATE OF ILLINOIS
DEPARTMENT OF TRANSPORTATION

ROUTE NO.	SECTION	COUNTY	STILES SHEETS	SHEET NO.	SHEET NO. 13 21 SHEETS
F.A.P. 776	(116BR-2)B-1	HAMILTON	140	57	
FED. ROAD DIST. NO. 7	ILLINOIS	FED. AID PROJECT			

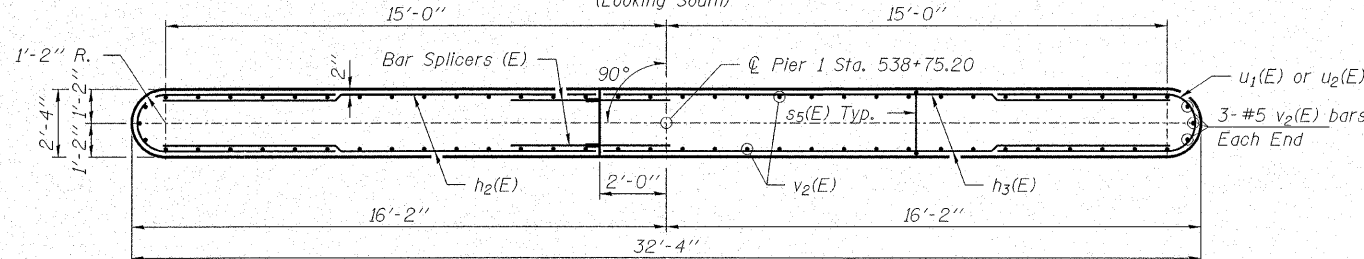
Contract #78006



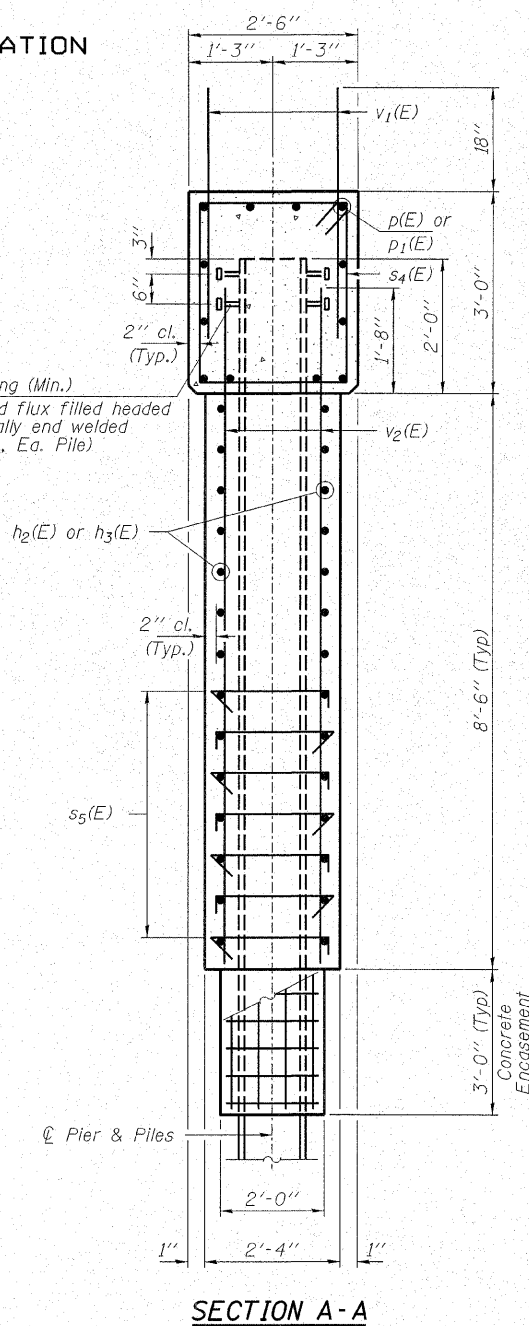
PLAN



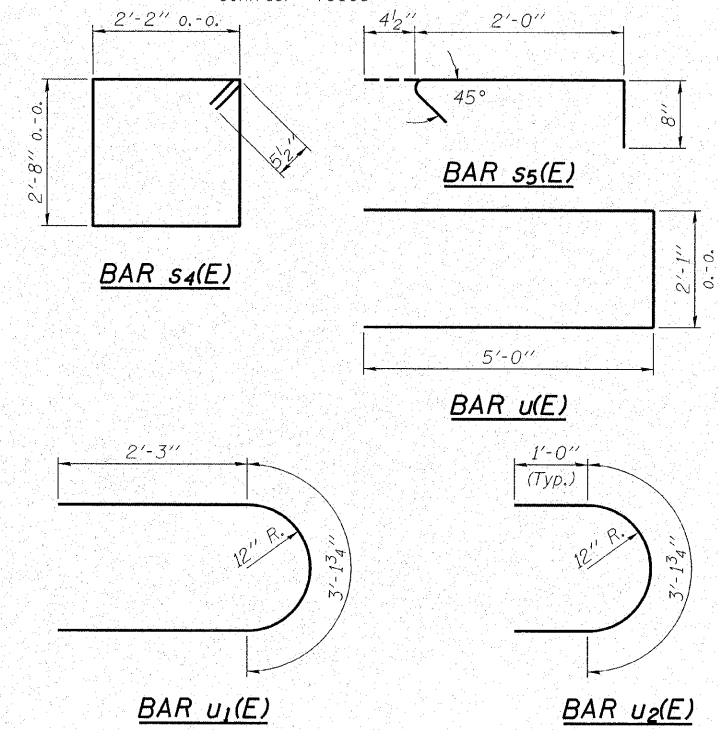
ELEVATION
(Looking South)



SECTION B-B



SECTION A-A



BILL OF MATERIAL - PIER 1

BAR	NO.	SIZE	LENGTH	SHAPE
h ₂ (E)	14	#5	12'-10"	—
h ₃ (E)	14	#5	16'-10"	—
h ₄ (E)	14	#5	11'-10"	—
h ₅ (E)	14	#5	15'-10"	—
p(E)	12	#7	15'-3"	—
p ₁ (E)	12	#7	19'-3"	—
s ₄ (E)	31	#5	10'-7"	□
s ₅ (E)	112	#4	3'-1"	□
u(E)	6	#6	12'-1"	U
u ₁ (E)	14	#5	7'-8"	U
u ₂ (E)	14	#5	5'-2"	U
v ₁ (E)	72	#5	4'-0"	—
v ₂ (E)	70	#5	10'-3"	—
Structure Excavation			Cu. Yd.	64
Concrete Structures			Cu. Yd.	33.4
Concrete Encasement			Cu. Yd.	2.4
Stud Shear Connectors			Each	56
Reinforcement Bars, Epoxy Coated			Pound	3,600
Bar Splicers			Each	26
Steel Piles HP10x57			Foot	420
Test Pile Steel, HP10x57			Each	1
Underwater Structure Excavation			Each	1
Protection Location 3			Each	1
Mechanical Splice			Each	42

For details of Bar Splicers, see sheet 16 of 21.
For details of Piles and Concrete Encasement, see sheet 17 of 21.

** Mechanical splice

PILE DATA

Type and Size _____ Steel HP10x57
No. Req'd. _____ *7
Nominal Req'd Bearing _____ 453 Kips/Pile
Allowable Resistance Available _____ 151 Kips/Pile
Est. Lengths _____ 70 Ft/Pile

Notes: The Steel H-Piles shall be according to AASHTO M270 Grade 50.

The test piles shall be driven to 110 percent of the Nominal Required Bearing indicated in the pile data information.

* Includes one test pile to be driven in permanent location at Pier 1.

 HAMPTON, LENZINI & RENWICK, INC. CIVIL & STRUCTURAL ENGINEERS LAND SURVEYORS 3085 STEVENSON DRIVE, SUITE 201 SPRINGFIELD, ILLINOIS 62703 (217) 546-3400	PIER 1 IL RTE. 142 OVER CONTRARY CREEK (NORTH OVERFLOW) F.A.P. ROUTE 776 - SECTION (116BR-2)B-1 HAMILTON COUNTY STRUCTURE NO. 033-0051 / STATION 539+14.20
	ELGIN • SPRINGFIELD PROJECT NUMBER: 12-41-0021-1 DATE: 09/25/07 DESIGNED: S.M.S. CHECKED: S.W.M. DRAWN: D.B.

PLOT DATE: 10/26/2007 FILE NAME: 0330051-78006-41021b-r.dgn 0051.dgn