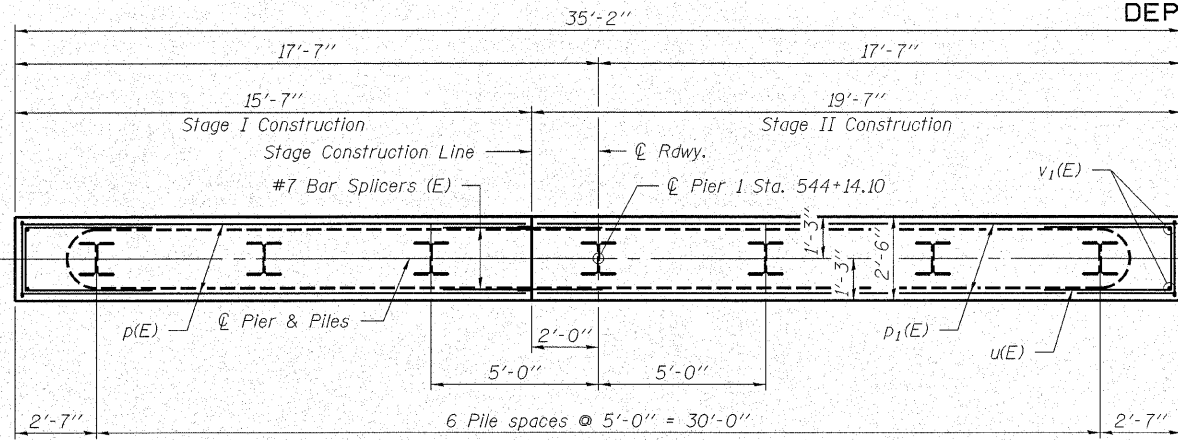


STATE OF ILLINOIS
DEPARTMENT OF TRANSPORTATION

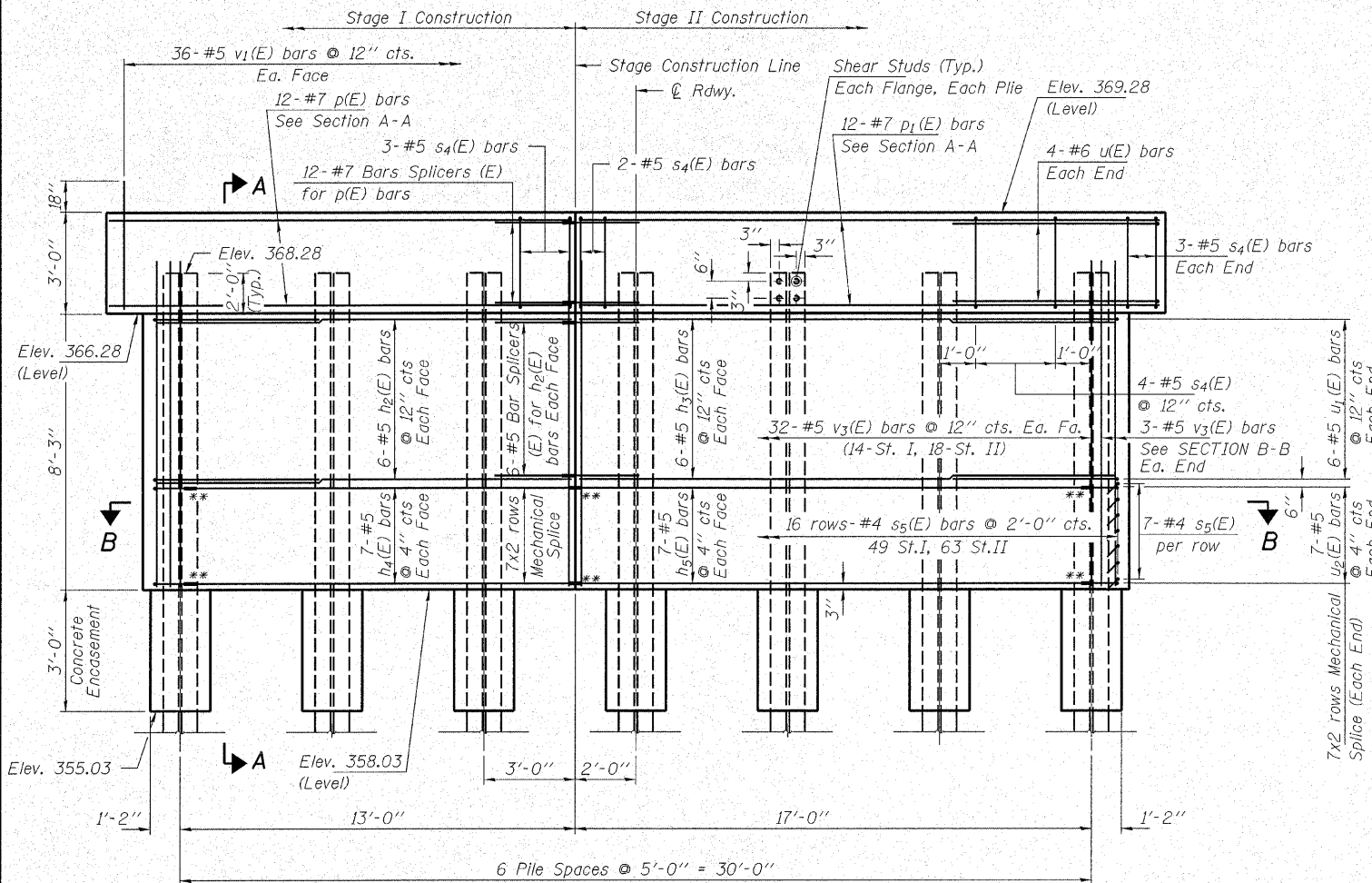
ROUTE NO.	SECTION	COUNTY	TOTAL SHEETS	SHEET NO.
F.A.P. 776	(116BR-3)B-1	HAMILTON	140	78
FED. ROAD DIST. NO. 7		ILLINOIS	FED. AID PROJECT	

Contract #78006

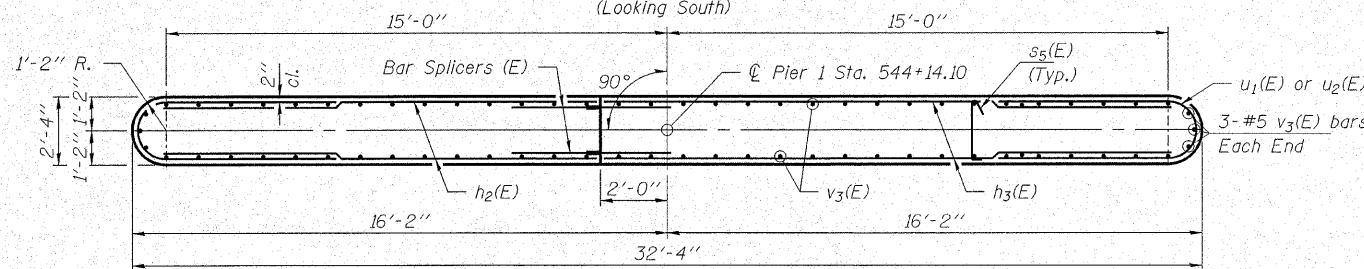
SHEET NO. 13
21 SHEETS



PLAN

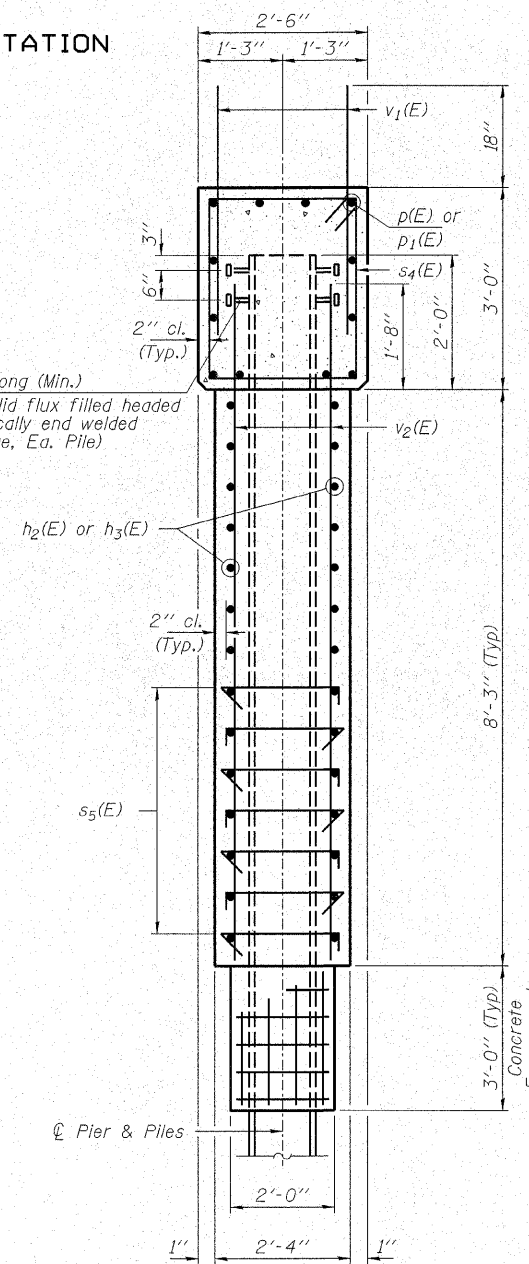


ELEVATION
(Looking South)

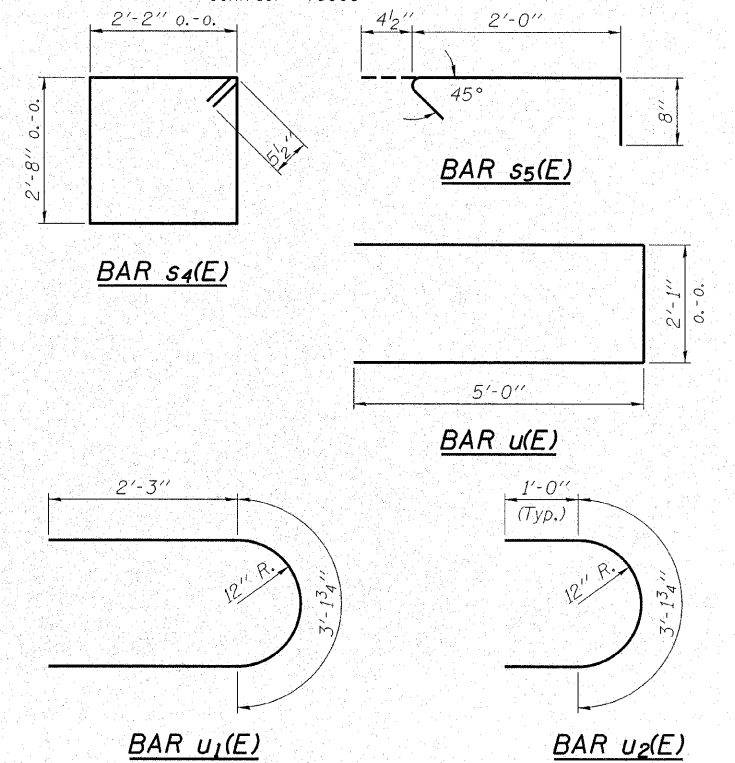


SECTION B-B

4-3/4" φ x 4" long (Min.)
Granular or solid flux filled headed studs automatically end welded (Typ. Ea. flange, Ea. Pile)



SECTION A-A



BILL OF MATERIAL - PIER 1

BAR	NO.	SIZE	LENGTH	SHAPE
h2(E)	12	#5	12'-10"	—
h3(E)	12	#5	16'-10"	—
h4(E)	14	#5	11'-10"	—
h5(E)	14	#5	15'-10"	—
p(E)	12	#7	15'-3"	—
p1(E)	12	#7	19'-3"	—
s4(E)	31	#5	10'-7"	□
s5(E)	112	#4	3'-1"	┌
u(E)	8	#6	12'-1"	—
u1(E)	12	#5	7'-8"	—
u2(E)	14	#5	5'-2"	—
v1(E)	72	#5	4'-0"	—
v3(E)	70	#5	9'-6"	—
Concrete Structures		Cu. Yd.	32.5	
Concrete Encasement		Cu. Yd.	2.4	
Stud Shear Connectors		Each	56	
Reinforcement Bars, Epoxy Coated		Pound	3,500	
Bar Splicers		Each	24	
Furnishing Steel Piles HP10x57		Foot	420	
Underwater Structure Excavation Protection Location 6		Each	1	
Mechanical Splice		Each	42	

For details of Bar Splicers, see sheet 16 of 21.
For details of Piles and Concrete Encasement, see sheet 17 of 21.

PILE DATA

Type and Size _____ Steel HP10x57
No. Req'd. _____ 7
Nominal Req'd Bearing _____ 453 Kips/Pile
Allowable Resistance Available _____ 151 Kips/Pile
Est. Lengths _____ 60 Ft/Pile

Note: The Steel H-Piles shall be according to AASHTO M270 Grade 50.

** Mechanical splice

HAMPTON, LENZINI & RENWICK, INC.
CIVIL & STRUCTURAL ENGINEERS
LAND SURVEYORS

3085 STEVENSON DRIVE, SUITE 201
SPRINGFIELD, ILLINOIS 62703
(217) 546-3400

ELGIN • SPRINGFIELD

PROJECT NUMBER: 12-41-0021-1 DATE: 10/25/07
DESIGNED: R.J.P. CHECKED: S.W.M. DRAWN: D.A.B.

PIER 1
IL RTE. 142 OVER CONTRARY CREEK (SOUTH OVERFLOW)
F.A.P. ROUTE 776 - SECTION (116BR-3)B-1
HAMILTON COUNTY
STRUCTURE NO. 033-0052 / STATION 544+53.10

PLOT DATE: 10/25/2007 FILE NAME: 0330052-78006-41021br-1.dwg 0252.dwg