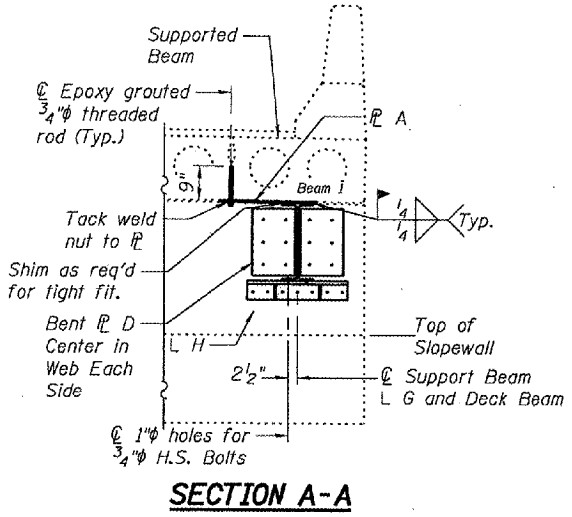


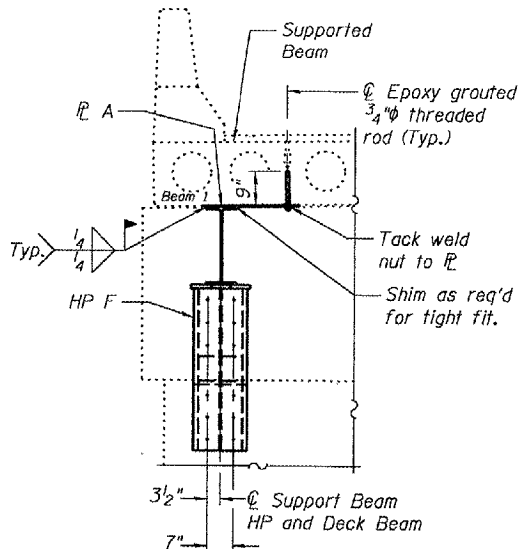
STATE OF ILLINOIS  
DEPARTMENT OF TRANSPORTATION

ROUTE NO.	SECTION	COUNTY	FEEDING SHEETS	SHEET NO.	SHEET NO. 2 4 SHEETS
FA 885		POPE	21	9	
FED. ROAD DIST. NO. 7		ILLINOIS	FED. AID PROJECT		

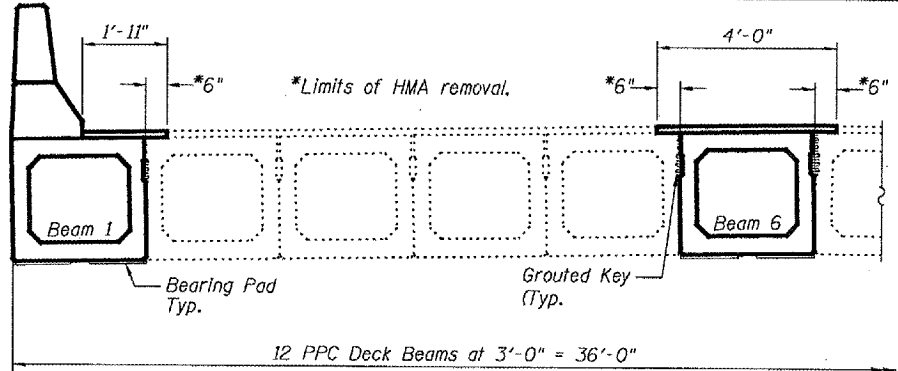
Contract Number: 78018



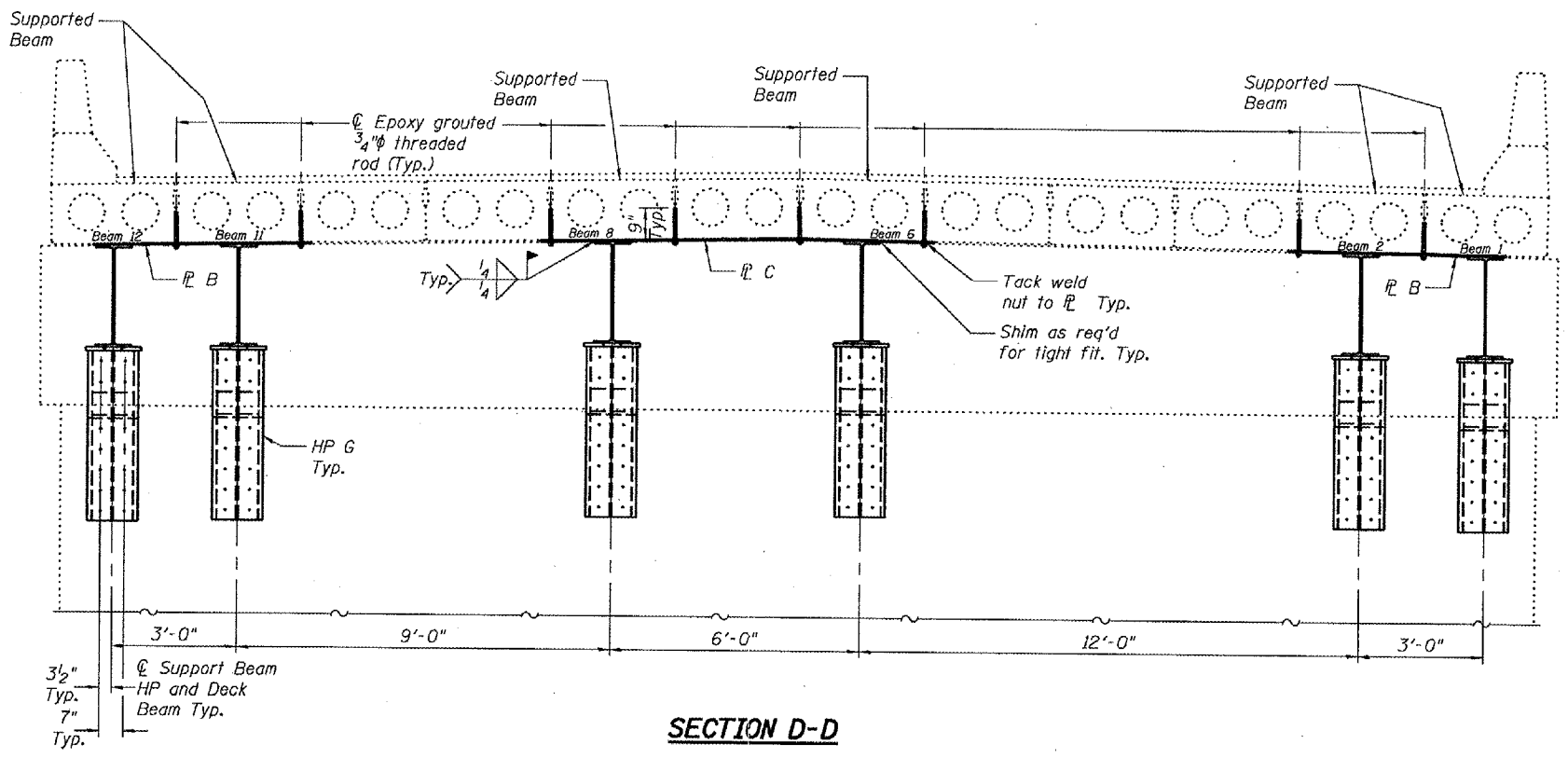
**SECTION A-A**



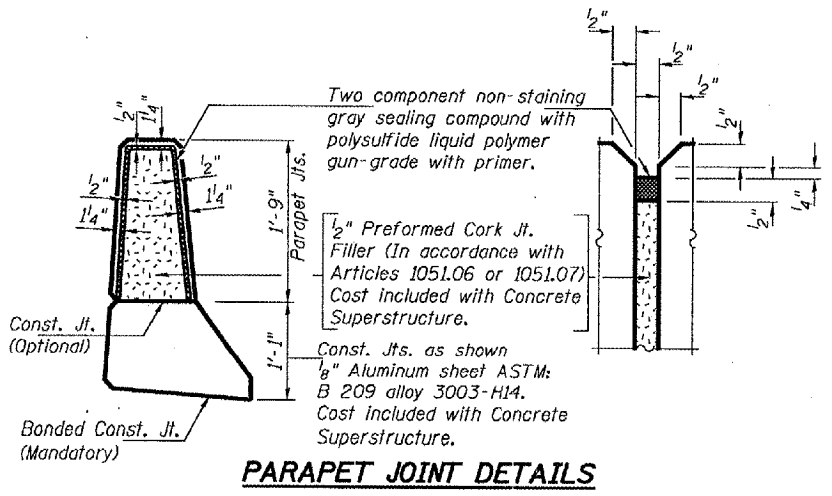
**SECTION B-B**



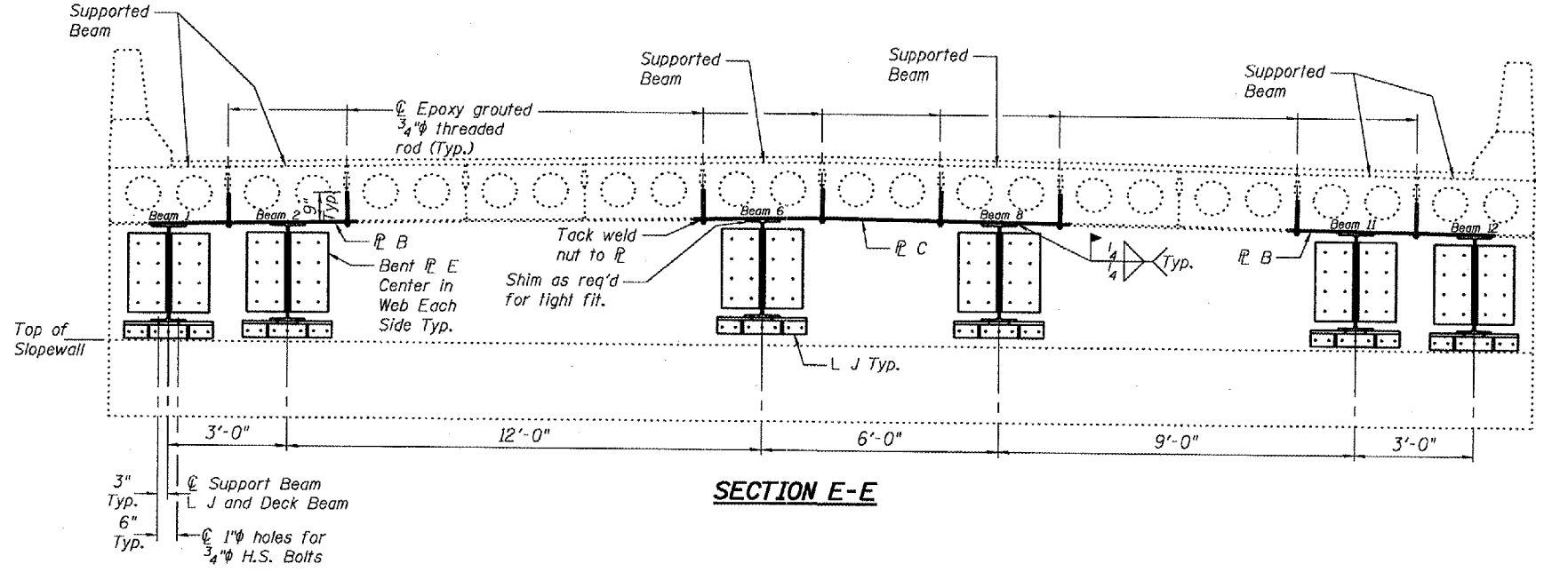
**SECTION C-C**



**SECTION D-D**



**PARAPET JOINT DETAILS**



**SECTION E-E**

DESIGNED	A.T.H.
CHECKED	V.H.V.
DRAWN	Drew Christopher
CHECKED	A.T.H. V.H.V.

November 14, 2007  
 EXAMINED *Carl [Signature]*  
 ENGINEER OF STRUCTURAL SERVICES  
 PASSED *Ralph E. Anderson*  
 ENGINEER OF BRIDGES AND STRUCTURES

**CROSS SECTIONS**  
**FA 885 OVER**  
**SIMMONS CREEK**  
**POPE COUNTY**  
**SN 076-0023**