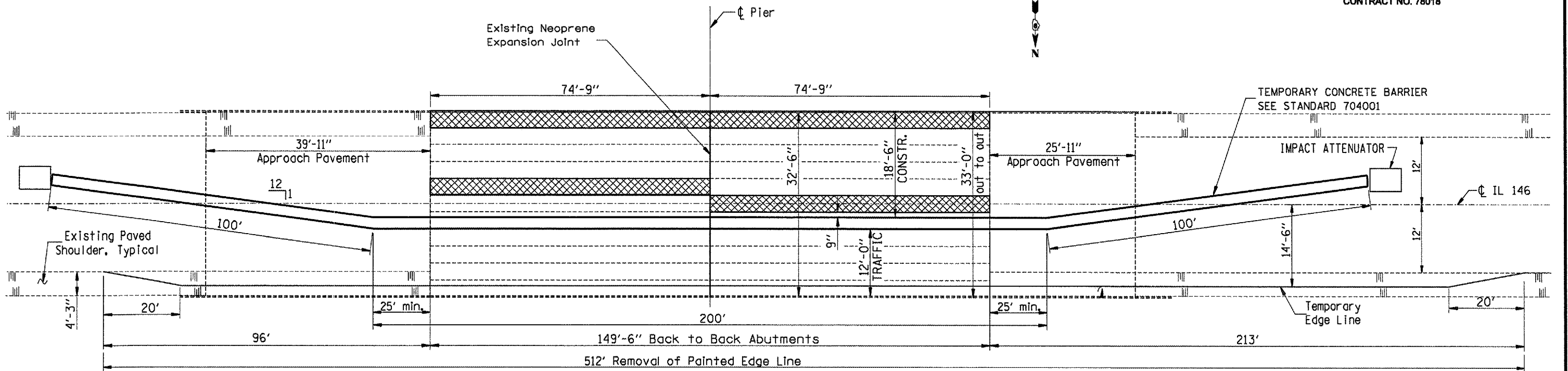


PAVEMENT MARKING REMOVAL QUANTITY INCLUDES REMOVAL OF TEMPORARY EDGE LINE.
SEE TRAFFIC CONTROL AND PROTECTION STANDARD 701321 FOR DETAILS NOT SHOWN.

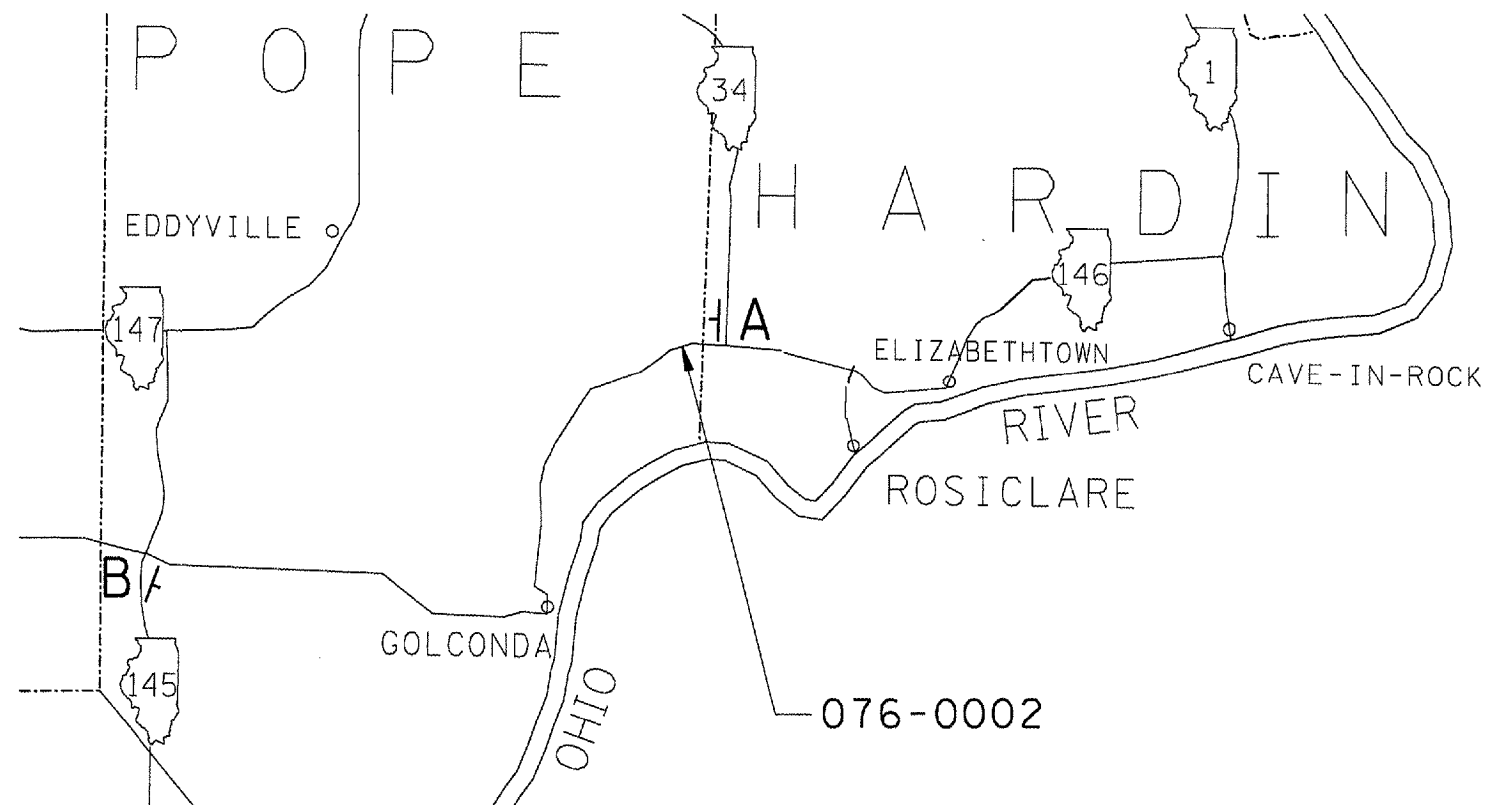
STATE OF ILLINOIS
DEPARTMENT OF TRANSPORTATION

| | | | | |
|-----------------------|---------|-----------------|------------------|-----------|
| ROUTE NO. | SECTION | COUNTY | TOTAL SHEETS | SHEET NO. |
| FAP 885 FAS 2836 | " | POPE PULASKI | 21 | 17 |
| FED. ROAD DIST. NO. 7 | | ILLINOIS | FED. AID PROJECT | |
| *(6A, 14X, 16)I-1 | | | | |
| CONTRACT NO. 78018 | | | | |



TEMPORARY CONCRETE BARRIER

BEAM REPLACEMENT

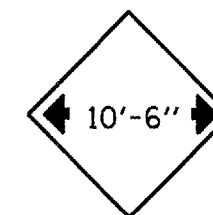


| | | | | |
|-----|-----|--------|---------------|----------|
| 48" | 12" | WHITE | MAX WIDTH | 6D |
| | 12" | ORANGE | 10 FT 6 IN | 8D |
| | 24" | WHITE | * MILES AHEAD | 6D 6D |

*SEE TABLE

| MILES AHEAD | |
|-------------|-------|
| LOCATION | MILES |
| A | 1 |
| B | 20 |

MAXIMUM WIDTH SIGNS



W12-I102(0)-48

076-0002