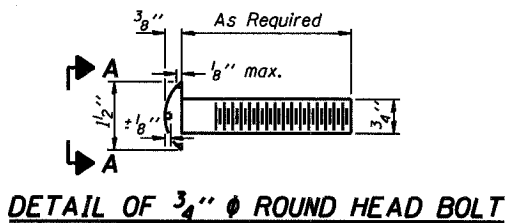


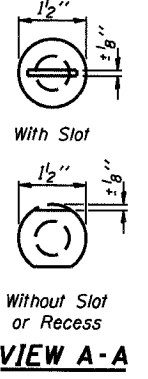
STATE OF ILLINOIS
DEPARTMENT OF TRANSPORTATION

ROUTE NO.	SECTION	COUNTY	STA. POSTS	SHEET NO.	SHEET NO. 11
F.A.P. 778	3BR-1	HARDIN	69 21	14 SHEETS	
FED. ROAD DIST. NO. 7	ILLINOIS	FED. AID PROJECT-			

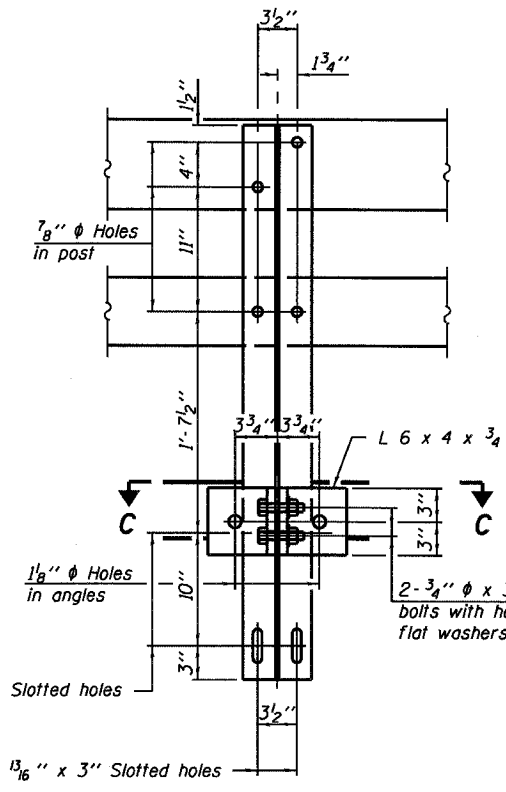
Contract #78023



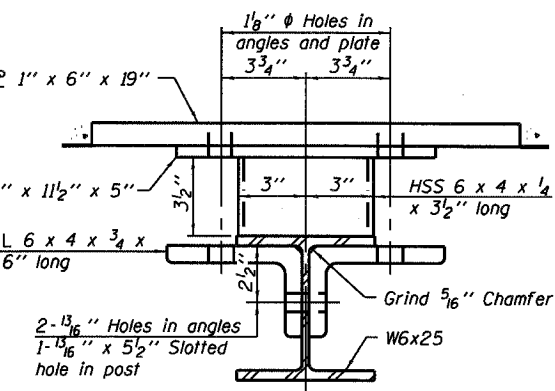
DETAIL OF 3/4" ϕ ROUND HEAD BOLT



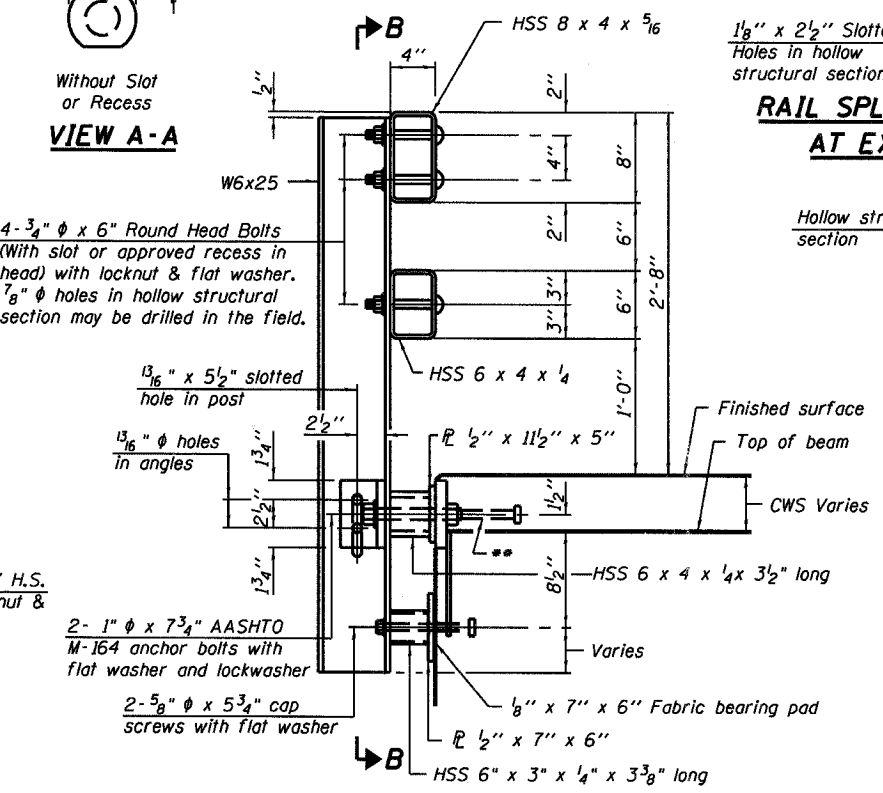
VIEW A-A



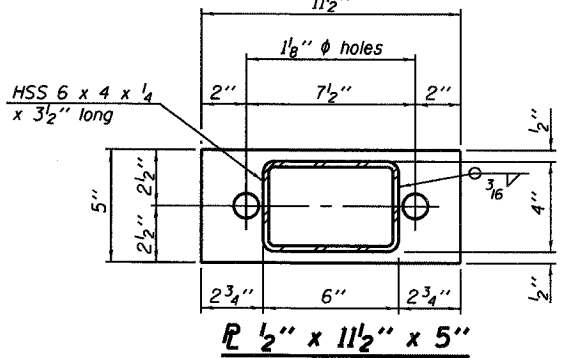
SECTION B-B



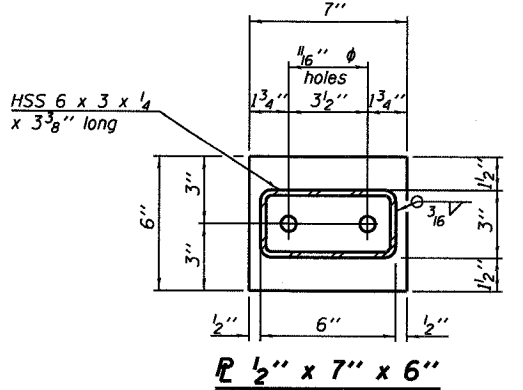
SECTION C-C



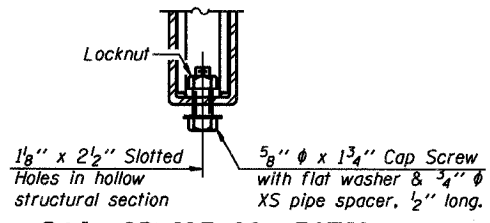
SECTION AT RAIL POST



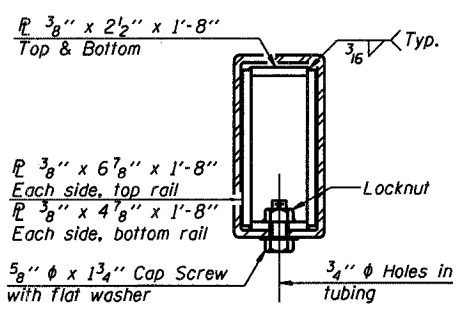
PLAN-BOTT. SPLICE P TYPICAL



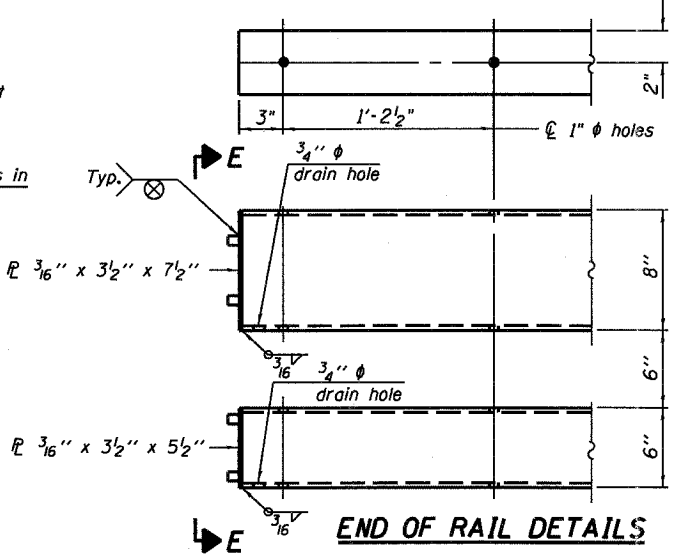
ANCHOR DEVICE



RAIL SPLICE CONNECTION AT EXPANSION JT.



SECTION AT RAIL SPLICE



END OF RAIL DETAILS

Notes:
Hollow structural sections shall conform to the requirements of ASTM designation A 500 Grade B Structural Steel Tubing and shall meet the longitudinal CVN requirements of 15 ft-lbs at 0° F.
All other steel shapes and plates shall conform to the requirements of AASHTO M 270 Grade 36 except posts and angles shall conform to AASHTO M 270, Grade 50.
Bolts, cap screws, and nuts shall conform to the requirements of ASTM designation A 307 except for high strength bolts, nuts and washers noted which shall conform to AASHTO M 164.
All bolts, nuts, cap screws, washers and lock washers shall be galvanized according to AASHTO M 232.
All posts, railing, rail splices, anchor devices and angles shall be galvanized after shop fabrication according to AASHTO M 111 and ASTM A 385. Galvanized rail shall not be painted.
Railing shall be according to Section 509 of the Standard Specifications, except as noted, and will be paid for at the contract unit price per foot for Steel Railing, Type SM.
All field drilled holes shall be coated with an approved zinc rich paint before erection.
For multi-span bridges, sufficient 1/4" x 6" x 1'-2" galvanized steel shims shall be provided to align rail between adjacent spans. Cost included with Steel Railing, Type SM.
The 3/4" ϕ high strength bolts used to connect the 6" x 4" x 3/4" angles to the post shall be tightened according to the Article 505.04(F)(2) of the Standard Specifications. The 1" ϕ high strength bolts connecting the angles to the concrete shall be tightened to a snug fit and given an additional 1/2 turn. The 5/8" ϕ cap screws in bottom of the post shall be tightened to snug fit only.
See Sheet No. 9 of 14 for rail post spacing.

BILL OF MATERIAL

Item	Unit	Quantity
Steel Railing, Type SM	Foot	151

STEEL RAILING, TYPE SM
WITH CONCRETE WEARING SURFACE
ILL. ROUTE 34 OVER PINHOOK CREEK
F.A.P. ROUTE 778 SECTION 3BR-1
HARDIN COUNTY
STATION 806+15.00
STRUCTURE NO. 035-0005



DESIGNED	RLM
CHECKED	MEL
DRAWN	AEC
CHECKED	RLM

R-34CWS

11-1-06

(6'-3" Maximum Post Spacing) (5" minimum to 7 1/2" maximum CWS thickness)

* Threaded areas shall be plugged or blocked off during casting of beam. Galvanized after fabrication.