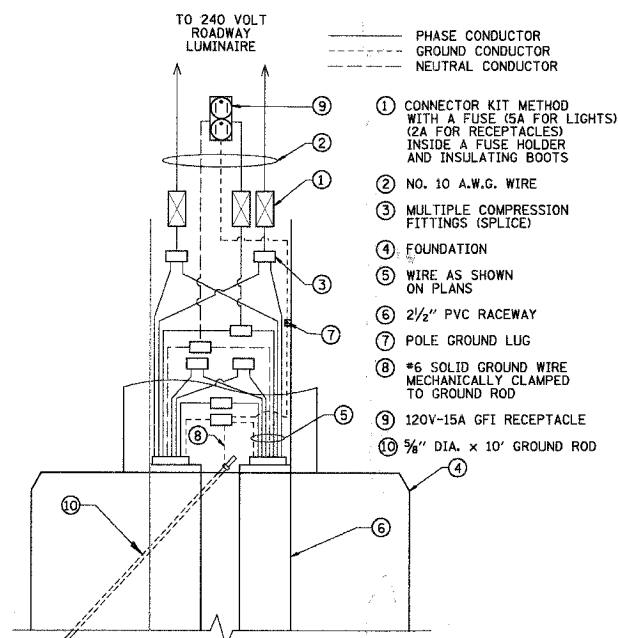
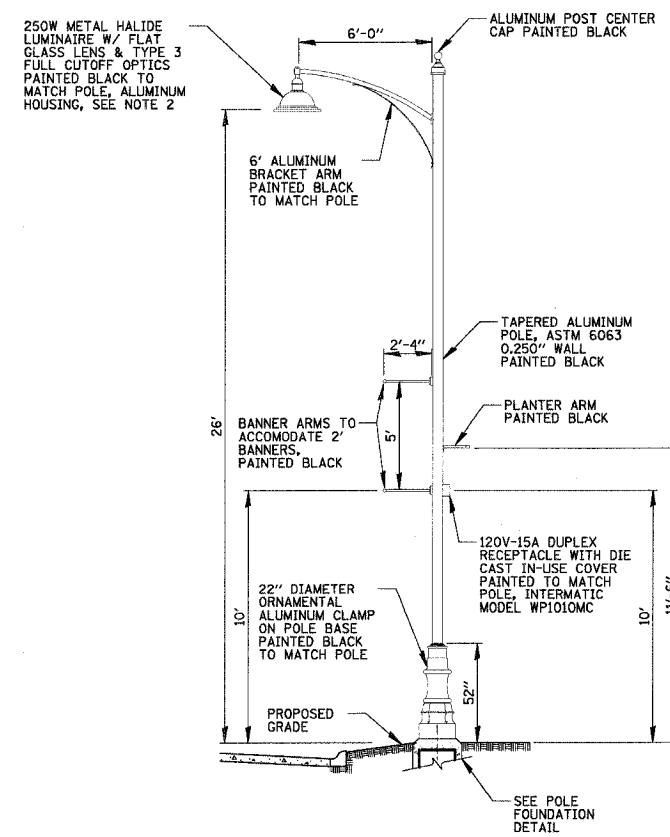


F.A. RTE.	SECTION	COUNTY	TOTAL SHEETS	SHEET NO.
1362	06-00047-00-LS	COOK	59	26
STA.	TO STA.			
FED. ROAD DIST. NO.	ILLINOIS FED. AID PROJECT			



- ① CONNECTOR KIT METHOD WITH A FUSE (5A FOR LIGHTS) (2A FOR RECEPTACLES) INSIDE A FUSE HOLDER AND INSULATING BOOTS
- ② NO. 10 A.W.G. WIRE
- ③ MULTIPLE COMPRESSION FITTINGS (SPICE)
- ④ FOUNDATION
- ⑤ WIRE AS SHOWN ON PLANS
- ⑥ 2 1/2" PVC RACEWAY
- ⑦ POLE GROUND LUG
- ⑧ #6 SOLID GROUND WIRE MECHANICALLY CLAMPED TO GROUND ROD
- ⑨ 120V-15A GFI RECEPTACLE
- ⑩ 3/8" DIA. x 10' GROUND ROD

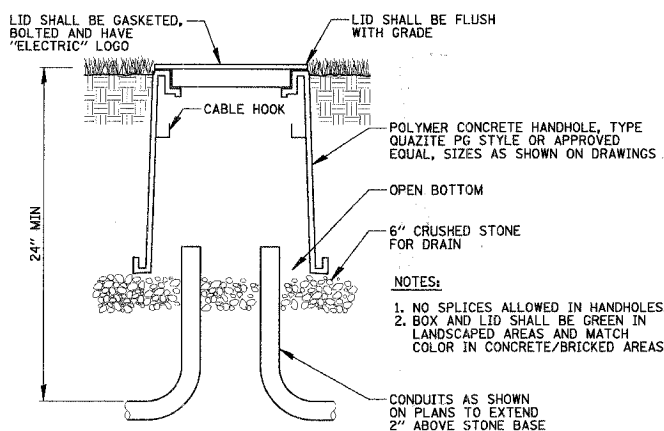
POLE HANDHOLE WIRING DIAGRAM
N.T.S.



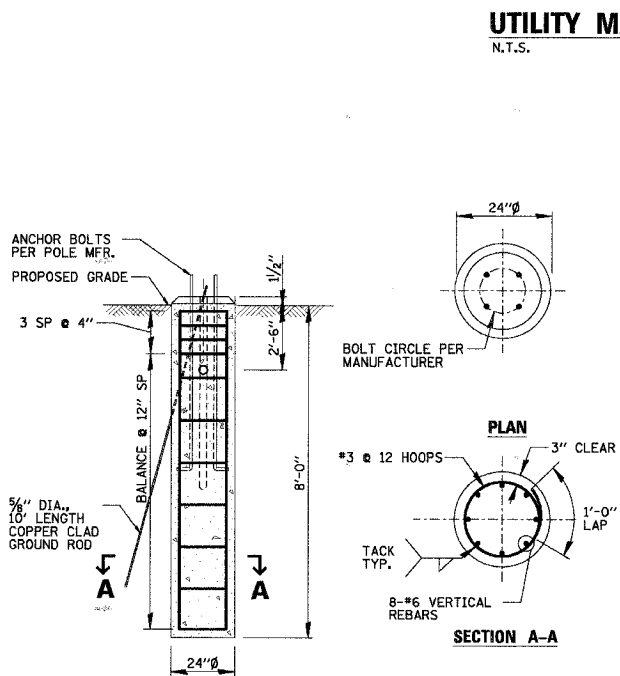
- NOTES:
- 1. LIGHT POLES SHALL MEET WIND LOADING & VIBRATION REQUIREMENTS ACCORDING TO THE LATEST AASHTO STANDARDS AND ARTICLE 1069.01 IN STANDARD SPECIFICATIONS FOR ROAD AND BRIDGE CONSTRUCTION. ALL STEEL SHALL BE FROM A DOMESTIC SOURCE.
 - 2. THE LIGHT STANDARD SHALL MEET THE ILLUMINATION REQUIREMENTS AS SPECIFIED IN THE LUMINAIRE PERFORMANCE TABLES IN THE SPECIFICATIONS. ALL LUMINAIRES SHALL HAVE A MULTI-TAP BALLAST WIRED FOR 240 VOLTS OPERATION.
 - 3. ALL LIGHT STANDARDS AND LUMINAIRES SHALL BE FROM THE SAME MANUFACTURER.
 - 4. LIGHT POLES & LUMINAIRES SHALL BE U/L LISTED.
 - 5. BANNER ARMS & PLANTER ARMS SHALL NOT BE FASTENED USING BAND CLAMP TYPE FASTENERS.

LIGHTING UNIT COMPLETE, TYPE F1
N.T.S.

UTILITY MANHOLE
N.T.S.



COMPOSITE CONCRETE HANDHOLE DETAIL
N.T.S.



LIGHT POLE FOUNDATION DETAIL
N.T.S.

24 IN. DIA. FOUNDATION DEPTH TABLE
DESIGN BASE ON 80 M.P.H. AASHTO WIND LOADING

TYPE OF SOIL	FOUNDATION DEPTH D	REINFORCEMENT IN FOUNDATION	
		VERTICAL BARS	HORIZONTAL BARS
ROCK OR SOLIDIFIED SLAG	5'-0"	NONE	NONE
DENSE SAND	7'-9"	8-#6 x 7'-4"	#3 x 73'
MEDIUM SAND	8'-3"	8-#6 x 7'-10"	#3 x 78'
LOOSE SAND	9'-0"	8-#6 x 8'-7"	#3 x 85'
STIFF CLAY	7'-0"	8-#6 x 6'-7"	#3 x 66'
MEDIUM CLAY	9'-6"	8-#6 x 9'-1"	#3 x 90'
SOFT CLAY	13'-0"	8-#6 x 12'-7"	#3 x 122'

NOTE: CONTRACTOR TO VERIFY FOUNDATIONS DEPTH WITH EXISTING SOIL CONDITIONS.

PLOT DATE = 10/29/2007
 FILE NAME = N:\WORK\CD\LIGHTS\06275\Mech\06275_Light Pole.dwg
 USER = JMACNELLI

REVISIONS		ILLINOIS DEPARTMENT OF TRANSPORTATION
NAME	DATE	
		LIGHTING DETAILS - 2 LAWRENCE AVENUE
SCALE: VERT. HORIZ. N.T.S. DATE 10/29/2007	DRAWN BY AJD CHECKED BY JPC	