

CONTRACT NO. 83905			
F.A. RTE.	SECTION	COUNTY	TOTAL SHEET NO.
1362	06-00047-00-LS	COOK	59 41
STA.		TO STA.	
FED. ROAD DIST. NO.		ILLINOIS FED. AID PROJECT	

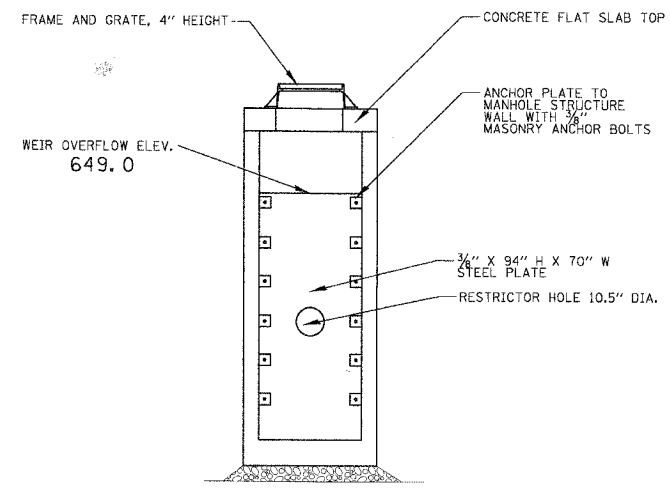
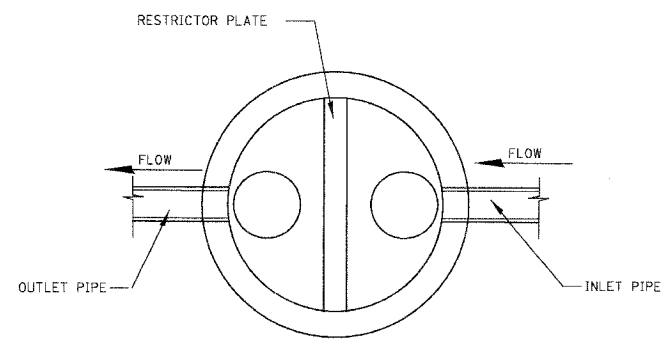
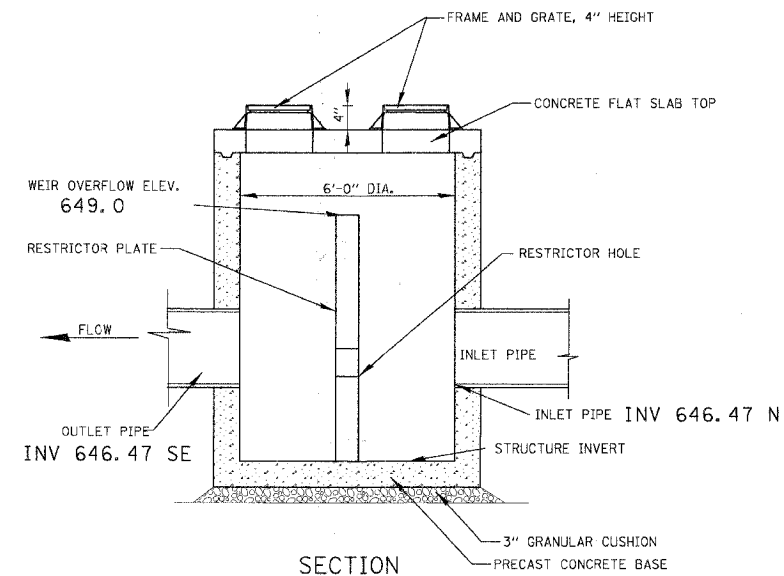


PLATE ELEVATION VIEW



PLAN VIEW
(SHOWING PIPE AND RESTRICTOR ORIENTATION)



SECTION

WATER CONTROL STRUCTURE 1

STATION	STRUCT. NO.	CONTROL STRUCT. DIA.	OFFSET (FT)	LT/RT	RIM ELEV (FT)	RESTRICTOR DIA. (IN)	RESTRICTOR INVERT ELEV (FT)	INLET INVERT ELEV (FT)	OUTLET INVERT ELEV (FT)	STRUCTURE INVERT (FT)	WEIR OVERFLOW ELEV. (FT)	INLET PIPE DIA (IN)	OUTLET PIPE DIA (IN)
16+78.42	1	6 FT	31.17	RT	652.29	10.5	646.75	646.47 SE	646.47 N	644.47	649.0	36"	12"

PLOT DATE = 10/29/2007
 FILE NAME = N:\MHW\000\08279\08279.dwg
 PLOT SCALE = 1"
 USER NAME = PRIGNELLI

REVISIONS	
NAME	DATE

ILLINOIS DEPARTMENT OF TRANSPORTATION

**LAWRENCE AVENUE
 WATER CONTROL STRUCTURE
 DETAIL**

SCALE: VERT. 1"
 HORIZ. 1"
 DATE 10/29/2007

DRAWN BY
 CHECKED BY