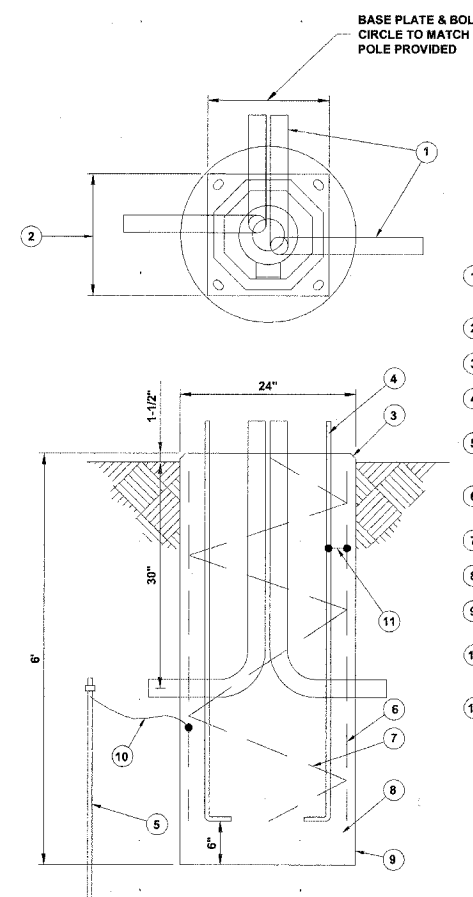


- 1 STANDARD-TYPE SMALL DIMENSION DOUBLE POLE FUSEHOLDER WITH INSULATED BOOTS, FUSING AND SOLID NEUTRAL. (SEE SPECS)
- 2 2-1/2 #10 AWG, 600V TYPE RHW, SOLID COLOR CODED CABLES
- 3 SPLICE AS SPECIFIED
- 4 3/8" - 16 TAPPED HOLE BE PROVIDED FOR GROUND LUG
- 5 INSULATED GROUND WIRE, 600V TYPE RHW, SOLID COLOR GREEN, SIZE AS SPECIFIED
- 6 UNIT DUCT
- 7 3" P.V.C. CONDUIT RACEWAYS
- 8 ENDS OF THE UNIT DUCT SHALL BE SEALED AGAINST THE ENTRANCE OF WATER
- 9 NEUTRAL CONDUCTOR, 600V TYPE RHW, SOLID COLOR WHITE, SIZE AS SPECIFIED
- 10 PHASE CONDUCTORS, 600V TYPE RHW, SOLID COLOR, SIZE AS SPECIFIED

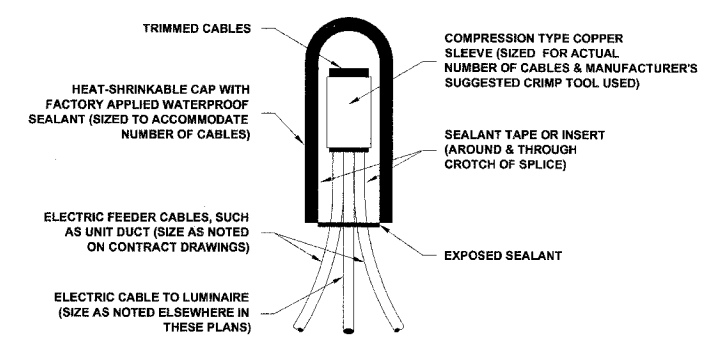
NOTE:
ALLOW 30" LOOP OF CABLES TO INSURE SUFFICIENT SLACK FOR WITHDRAWAL OF THE CONNECTORS OUTSIDE OF THE POLE HANDHOLE.

POLE HANDHOLE WIRING DIAGRAM



- 1 DUAL 3" DIA. P.V.C. ELBOW RACEWAYS, EITHER PARALLEL OR OPPOSITE EACH OTHER AS SHOWN ON PLAN SHEETS.
- 2 MANUFACTURER TO FURNISH TEMPLATE DRAWING FOR SETTING OF ANCHOR BOLTS.
- 3 1" CHAMFER
- 4 4 - 1" x 36" STEEL ANCHOR BOLTS, TOP 10" THREADED AND GALVANIZED.
- 5 5/8" x 10' GROUND ROD CONNECTED TO GROUND WIRE WITH EXOTHERMIC WELD AT ALL POLE LOCATIONS.
- 6 8 - #5 REINFORCING BARS EQUALLY SPACED AROUND AN 18" DIA. CIRCLE
- 7 #4 SPIRAL TIE BARS WITH 6" PITCH
- 8 CLASS SI CONCRETE
- 9 FOUNDATION LOCATIONS AS SHOWN ON PLAN SHEETS.
- 10 No. 2/0 BARE COPPER GROUND WIRE TO GROUND ROD AND REINFORCING BARS WITH EXOTHERMIC WELD.
- 11 No. 2/0 BARE COPPER GROUND WIRE TO GROUND ROD WITH EXOTHERMIC WELD.

CONCRETE LIGHT POLE FOUNDATION



NOTE:
NUMBER OF CABLES IN SPLICE MAY VARY

**SPlicing ELECTRIC Cables
BASIC MATERIALS AND METHODS**

Drawing file: W:\Projects\176266033 - Grand Ave Streetscape\Lighting Details.dwg Dec 13, 2007 - 11:44am

	◆ Civil Engineers	9933 Roosevelt Road
	◆ Municipal Consultants	Westchester, Illinois 60154-2780
	◆ Established 1911	Phone: 708/865-0300
		Fax: 708/865-1212

GRAND AVENUE STREETScape PROJECT
VILLAGE OF RIVER GROVE, ILLINOIS

LIGHTING DETAILS

SCALE:	NONE	SHEET	24 <hr/> 35
DRAWN BY:	LEV/ECW/MK		
BOOK NO.:	1441,1443,1516		
DATE:	10/15/07		
REVISION:	Addendum #1 - 12/14/07	E.H.E. NO.:	760-06-03320

revised 10/21/07