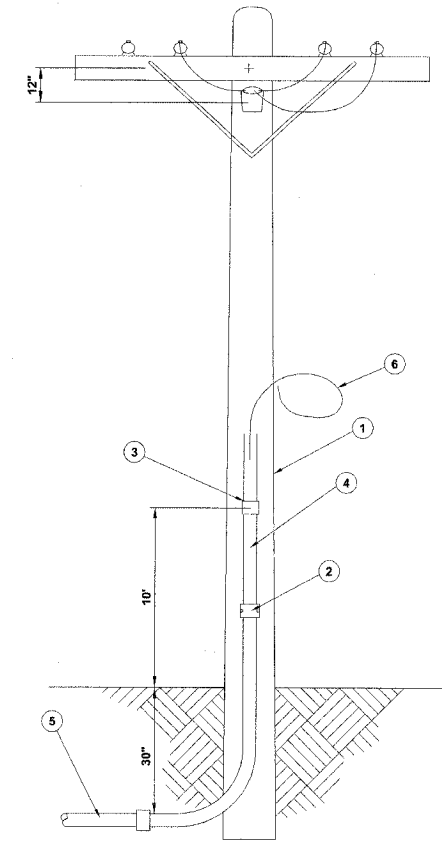


240/480 VOLT CONTROLLER PANEL WIRING DIAGRAM

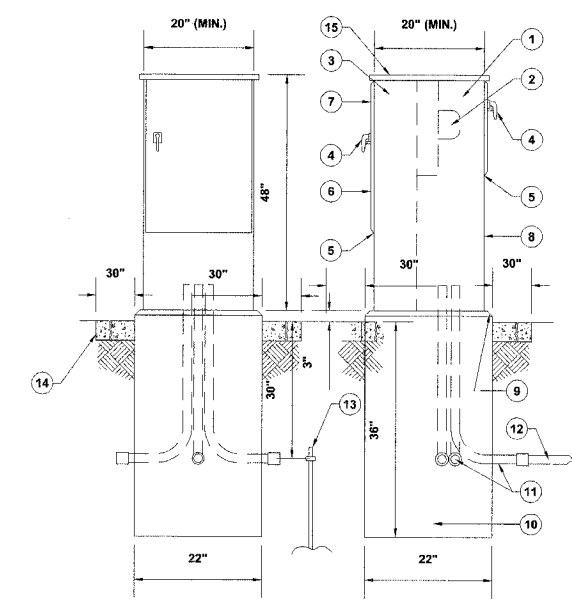
DEVICE SCHEDULE		
QUANTITY		DESCRIPTION
(A)	1	100 AMP CIRCUIT BREAKER, MOLDED CASE, THERMAL MAGNETIC, 2-POLE, SINGLE THROW, 600V FRAME, NON-INTERCHANGABLE TRIP, BOLT ON TYPE.
(B)	1	100 AMP, ELECTRICALLY OPERATED AND MECHANICALLY HELD LIGHTING CONTRACTOR, 2-POLE, 600 VOLT WITH 120 V COIL.
(C)	6	240/480 VOLT 1 PHASE PANEL BOARD WITH 100 AMP COPPER MAINS SINGLE POLE, 30 AMP, 277 VOLT BOLT ON BRANCH CIRCUIT BREAKERS (2 SPARES)
(D)	1	PHOTO-ELECTRIC CELL, 120 VOLT, MOUNT ON CLOSEST POLE TO CABINET
(E)	2	THERMAL MAGNETIC, MOLDED CASE CIRCUIT BREAKER, 1 POLE, 15 AMP, 277 VOLT BOLT ON TYPE
(F)	1	CONTROL SWITCH, MOMENTARY CONTACT, SPDT, 15 AMP, 240 VOLT
(G)	1	CONTROL SWITCH, TOGGLE TYPE, SPDT, 20 AMP, 240 VOLT SPECIAL GRADE
(H)	1	240/120 VOLT STEP DOWN CONTROL TRANSFORMER 750 VA RATED
(I)	1	MICRO SWITCH (MOUNTED WITH ACTUATOR TO SWITCH WHEN DOOR IS OPEN) 120 VOLT, 20 AMP
(J)	1	60 WATT LIGHT FIXTURE VAPOR TIGHT WITH GLOBE, GUARD, AND MOUNTING BOX
(K)	1	120 VOLT, 15 AMP RECEPTACLE, SPECIFICATION GRADE IN NEMA 5-15R WEATHER PROOF BOX WITH FLAP-TYPE COVER. OUTLET TO BE GFI-TYPE.
(L)	1	POWER RELAY WITH 25 AMP CONTACTS RATED FOR CONTRACTOR INRUSH CURRENT - 120 VOLT COIL
(M)	1	SURGE ARRESTOR, 5 WIRE EDCO "4803 OR EQUAL
(N)	3	TERMINAL BLOCK, 240 VOLT, 50 AMP MAXIMUM WITH NUMBER OF TERMINALS AS INDICATED

- NOTES:**
- ALL CIRCUIT BREAKERS SHALL HAVE AN INTERRUPT RATING OF 10,000 AMPS
 - UL LISTED DEVICES/COMPONENTS SHALL BE USED
 - NO SPLICES OF WIRES IN CABINET
 - CONTROL WIRE TO BE #12 MTW
 - POWER WIRE SHALL BE RATED RHH/RHW 600 VOLTS OF SIZE INDICATED
 - LIGHTING CONTROLLER SHALL BE SERVICE ENTRANCE RATED



- COMMONWEALTH EDISON COMPANY UTILITY POLE
- CONDUIT CLAMPS AT 5' MINIMUM INTERVALS
- CONNECTOR FOR METALLIC TO NON-METALLIC CONDUIT, 2" DIA.
- GALVANIZED STEEL CONDUIT, 2" DIA., INCLUDING BEND
- GALVANIZED STEEL CONDUIT, 2" DIA., TO CONTROL CENTER
- ELECTRIC CABLE IN CONDUIT. ALLOW ENOUGH CABLE FOR CONNECTION TO TRANSFORMER

**SERVICE CONNECTION MODIFIED
(OR AS REQUIRED BY UTILITY COMPANY)**



- METERING SIDE OF CABINET
- RINGLESS TYPE METER SOCKET, SUPPLIED BY OTHERS
- CONTROL CENTER SIDE OF CABINET
- "V"-HANDLE LATCH & SHOOT BOLTS
- RUBBER GASKET BETWEEN DOOR & BOX FLANGE
- STAINLESS STEEL PIANO HINGE
- FORMED DOOR
- CONTROL CENTER BOX TO BE CONSTRUCTED OF 1/8" THICK SHEET ALUMINUM
- 1" CHAMFER
- POURED IN PLACE CLASS SI CONCRETE FOUNDATION
- GALVANIZED STEEL CONDUITS 3" DIA., TWO MORE THAN NECESSARY
- GALVANIZED STEEL CONDUITS 2" DIA., TO SERVICE POLE
- GROUND ROD CONNECTED TO GROUND WIRE WITH EXOTHERMIC WELD
- P.C.C. SIDEWALK, 5 INCH
- VENTING TO BE ALONG ROOF LINE

CONTROL CENTER CABINET & FOUNDATION

Drawing file: W:\Projects\76006033 - Grand Ave Streetscape\Lighting Details.dwg Oct 16, 2007 - 2:27pm