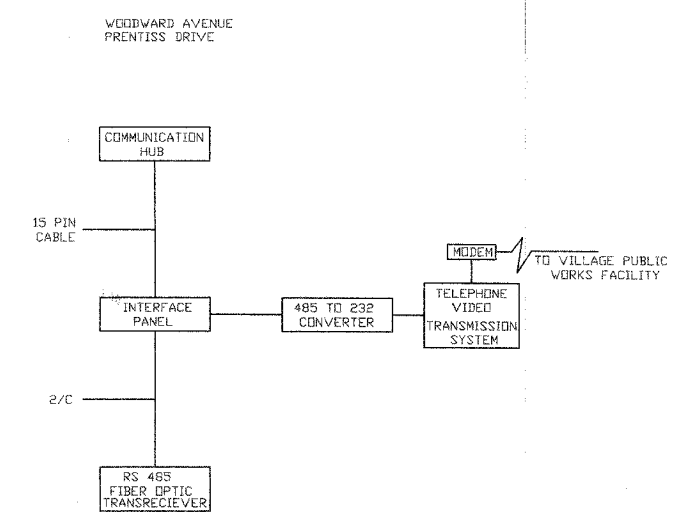
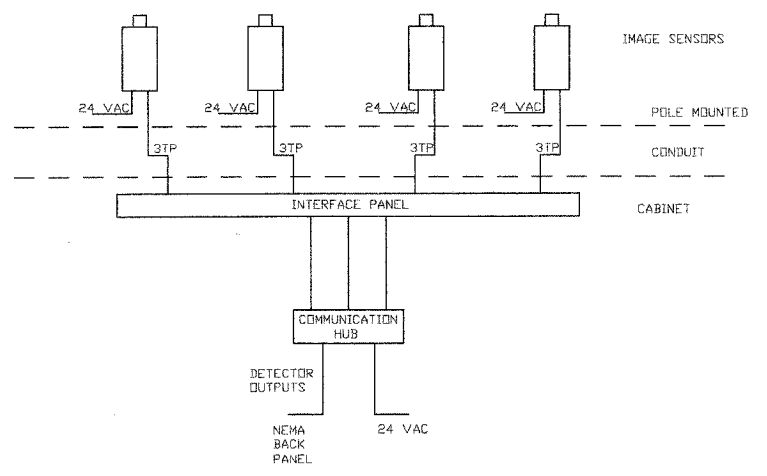


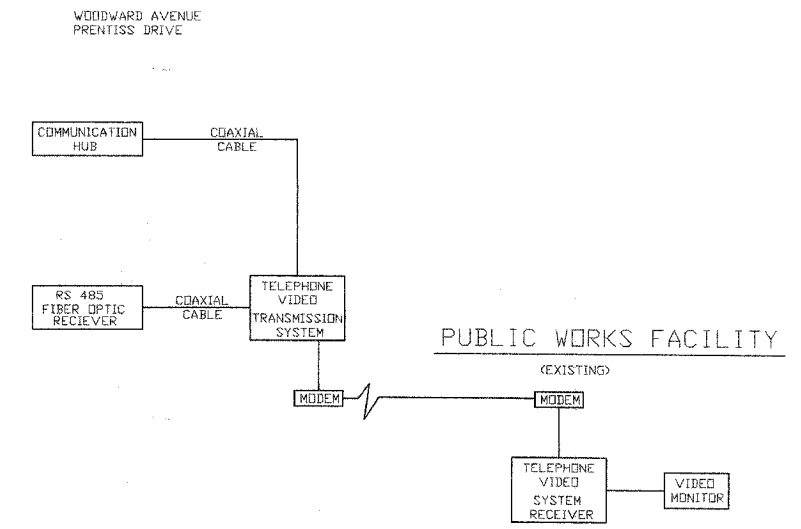
IMAGE SENSOR MOUNTING DETAIL
N.T.S.



DATA TRANSMISSION SCHEMATIC



VIDEO VEHICLE DETECTION SYSTEM COMPONENT LAYOUT



VIDEO TRANSMISSION SCHEMATIC

VILLAGE OF DOWNERS GROVE
PUBLIC WORKS ENGINEERING DIVISION
5101 WALNUT AVENUE 60515 (630)434-5460

REVISIONS		WOODWARD AVENUE IMPROVEMENTS STANDARD TRAFFIC SIGNAL DETAILS	
NAME	DATE	DATE: 2/02/07	CHECKED BY: S.A.V.
		SCALE: N.T.S.	DRAWN BY: R.W.B.
		FILE NAME: C:\CADFILES\WOODWARD\SIGNAL-DESIGN-DETAILS	