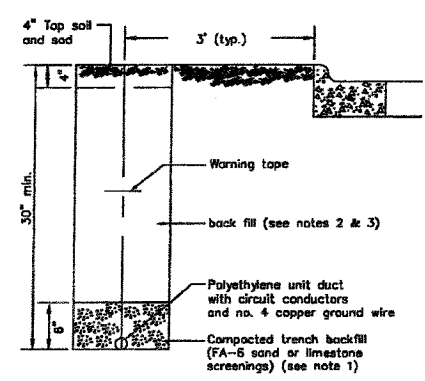
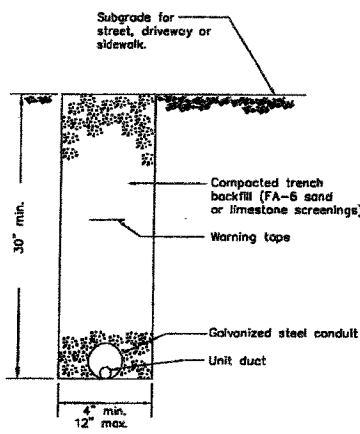


F.A.P. RTE.	SECTION	COUNTY	TOTAL SHEETS	SHEET NO.
2503	02-0002-00-WR	DU PAGE	45	42
FEDERAL RD. DIST. NO. 1		ILLINOIS FEDERAL AID PROJECT		
CONTRACT: 63936				



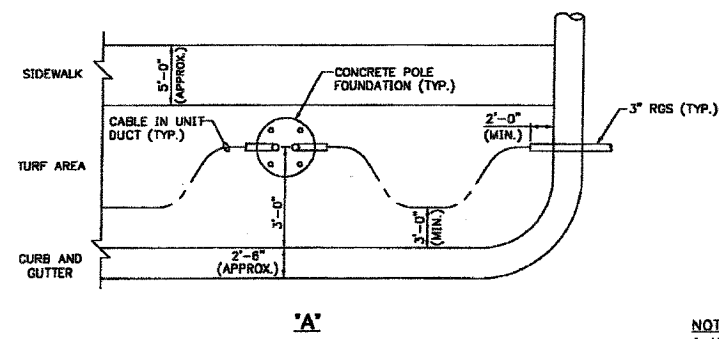
UNIT DUCT TRENCH

- Notes:
- Unit duct installed in trenches shall be covered with a minimum of 6" of compacted FA-6, or limestone screenings.
 - In grassy areas, the backfill may be compacted earth.
 - Trenches within 2' of proposed or existing streets, driveways, or sidewalks shall be backfilled with compacted FA-6 sand or limestone screenings.
 - Where more than (1) unit duct runs adjacent to each other, they shall be placed in a common trench so as not to cross each other.
 - 6" wide reinforced metallic warning tape, red with black lettering to read "Caution - Electrical line buried below". Warning tape to be placed 1" minimum to 2' maximum below finished grade.
 - All grassy areas disturbed during construction shall be restored with 4" of top soil and sod.



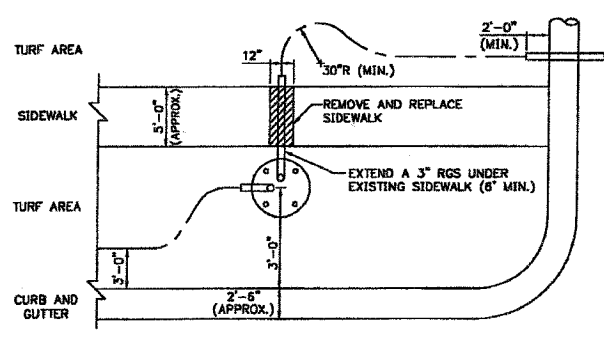
CONDUIT TRENCH

- Notes:
- Conduit shall be hot dip galvanized steel, a minimum of 2 1/2" in diameter.
 - Conduit shall extend a minimum of 1' beyond the street, driveway, or sidewalk.
 - Conduit shall have both ends capped until used.
 - When placed into service, conduit shall be provided with an insulated fiber bushing, and sealed with a workable soft plastic sealing compound at each end.
 - 6" wide reinforced metallic warning tape, red with black lettering to read "Caution - Electrical line buried below". Warning tape to be placed 1" minimum to 2' maximum below finished grade.
 - All grassy areas disturbed during construction shall be restored with 4" of top soil and sod.

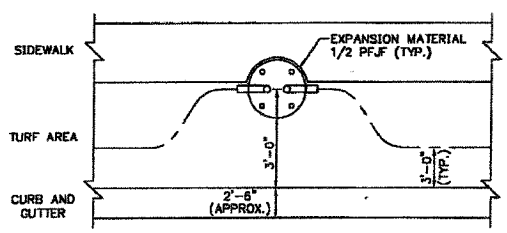


'A'

- NOTES:
- UNIT DUCT SHALL BE INSTALLED MIN. 3'-0" FROM B.O.C.
 - CONTRACTOR SHALL MAKE AN EFFORT TO INSTALL RGS CONDUITS (UNDER DRIVEWAYS OR ROADWAY) AT THE SAME SIDE OF THE SIDEWALK AS THE POLE FOUNDATION (DETAIL "A").
 - WHEN ITS NECESSARY TO CROSS THE EXISTING SIDEWALK, CONTRACTOR SHALL INSTALL A 3" RGS CONDUIT PERPENDICULAR TO THE SIDEWALK (DETAIL "B").
 - WHEN LOCATION OF A POLE FOUNDATION FALLS COMPLETELY WITHIN THE EXISTING SIDEWALK, CONTRACTOR SHALL CONSTRUCT THE FOUNDATION AT THE SIDE OF SIDEWALK AWAY FROM THE ROAD. WHEN PARTIAL OVERLAP OCCURS, CONTRACTOR SHALL CONSTRUCT THE POLE FOUNDATION AS SHOWN ON DETAIL "D".

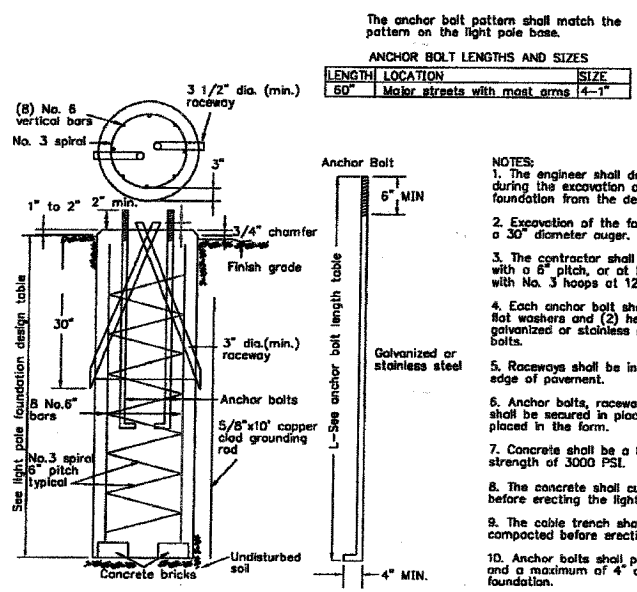


'B'



'C'

TYPICAL UNIT DUCT AND CONDUIT INSTALLATION DETAILS
N.T.S.



TYPICAL FOUNDATION DETAIL
N.T.S.



David E. Mertz

date 4/10/07		designed D.MERTZ	
detailed B.HAAS		checked F.ONOL	



VILLAGE OF DOWNERS GROVE WOODWARD AVENUE PHOTOMETRICS UNIT DUCT AND FOUNDATION DETAILS	
project 45190	contract
drawing E16	rev. 0
sheet 16 of 16 sheets	file 1:DOWNERS_V45190CADE16

Scale For Measurement
Inches
Copyright © 2007 Burns and McDonnell Engineering Company, Inc.