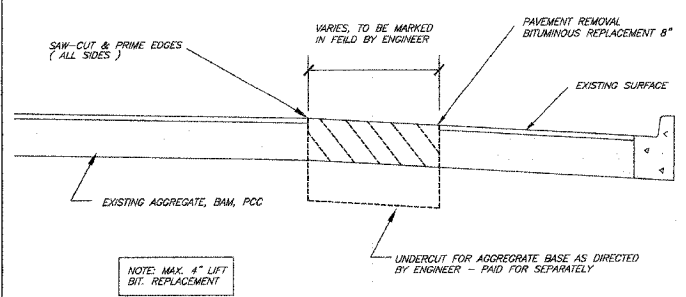
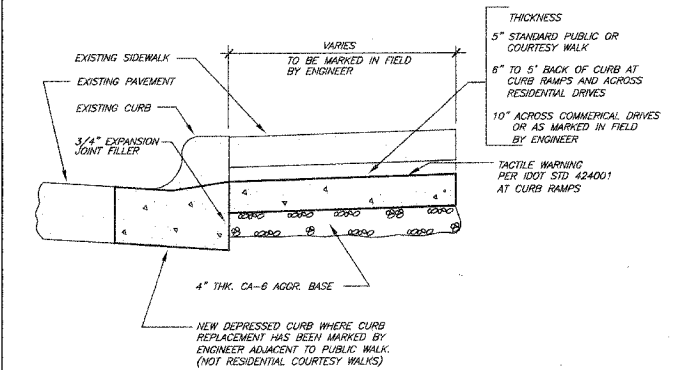


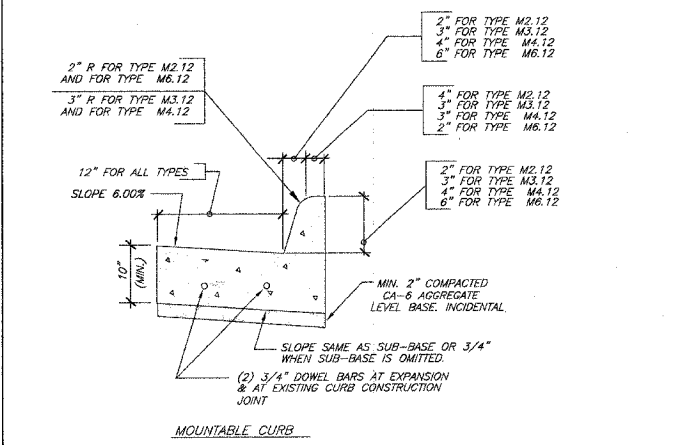
CONTRACT NO.83936



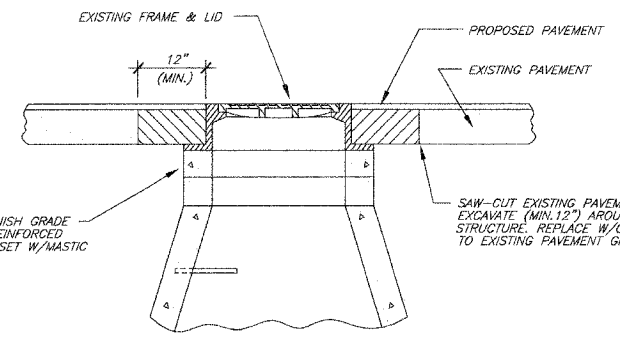
CLASS D PATCHES, 8'  
 N.T.S.



SIDEWALK REMOVAL & REPLACEMENT  
 N.T.S.

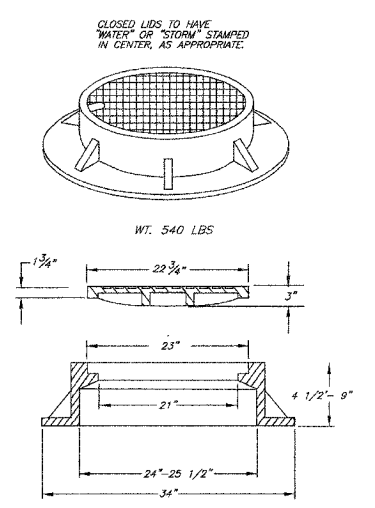


COMBINATION CONCRETE CURB & GUTTER-MOUNTABLE  
 N.T.S. STANDARD DESIGN

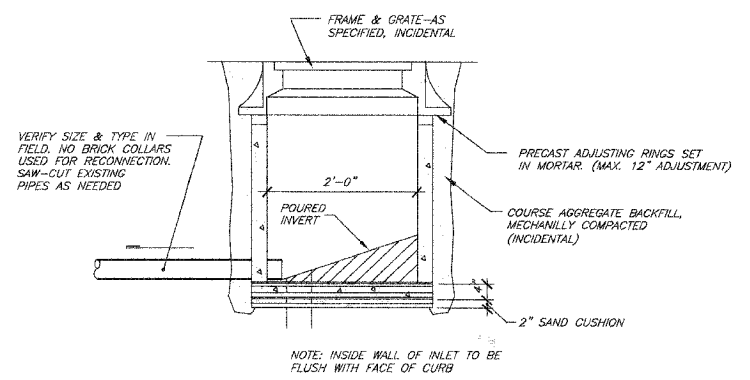


- NOTES:
- AFTER MANHOLE HAS BEEN ADJUSTED AND IF STREET IS OPEN TO TRAFFIC, A TYPE 1 BARRICADE W/FLASHER 2 SANDBAGS SHALL BE PLACED AT EACH MANHOLE.
  - SANITARY MANHOLE TO BE SET W/MASTIC

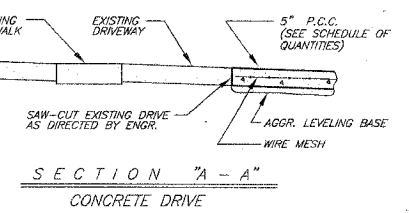
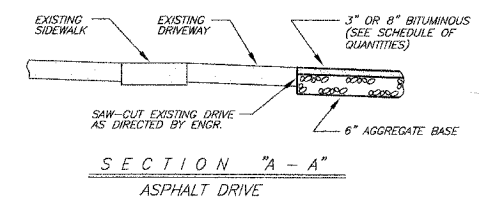
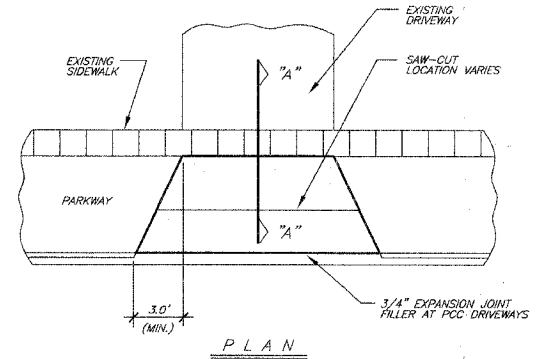
UTILITY ADJUSTMENT DETAIL  
 N.T.S.



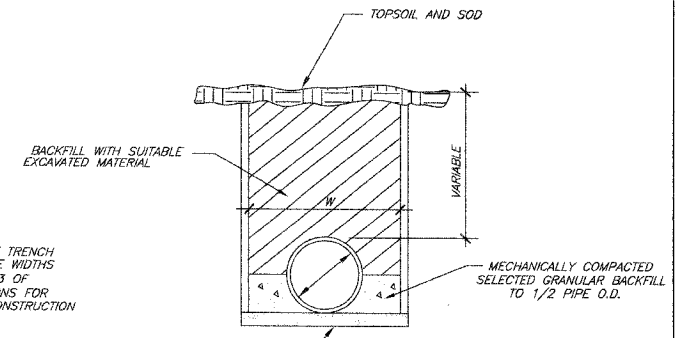
TYPE 1 HEAVY DUTY FRAMES & LIDS  
 N.T.S.



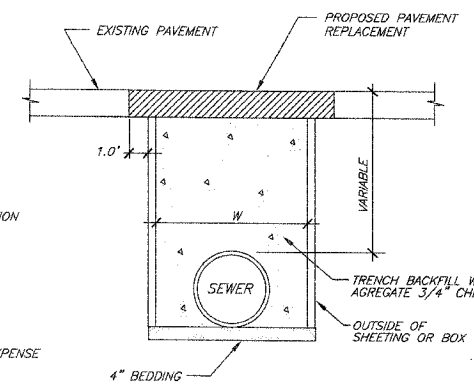
TYPE "A" INLET NEW/REPLACEMENT  
 N.T.S.



DRIVEWAY REMOVAL & REPLACEMENT  
 N.T.S.



TYPICAL TRENCH DETAIL  
 N.T.S. (UNPAVED AREA)



TYPICAL TRENCH DETAIL  
 N.T.S. PAVED AREA

- NOTES:
- THE BOTTOM WIDTH OF THE TRENCH (W) SHALL NOT EXCEED THE WIDTHS STATED IN SECTION 20-2.03 OF THE STANDARD SPECIFICATIONS FOR WATER AND SEWER MAIN CONSTRUCTION IN THE STATE OF ILLINOIS.
  - BACKFILL OTHER THAN SELECTED GRANULAR BACKFILL SHALL BE JETTED AND WATER-SOAKED IN ACCORDANCE WITH SECTION 20-2.21 OF THE STANDARD SPECIFICATION FOR WATER & SEWER MAIN CONSTRUCTION
  - ANY FLARE OR EXCAVATION BEYOND THE LIMITS SPECIFIED SHALL BE BACKFILLED ACCORDINGLY AT THE EXPENSE OF THE CONTRACTOR.

- NOTES:
- THE BOTTOM WIDTH OF THE TRENCH (W) SHALL NOT EXCEED THE WIDTHS STATED IN SECTION 20-2.03 OF THE STANDARD SPECIFICATIONS FOR WATER AND SEWER MAIN CONSTRUCTION IN THE STATE OF ILLINOIS.
  - BACKFILL SHALL BE MECHANICALLY COMPACTED TO ENSURE THAT NO FUTURE SETTLEMENT OCCURS
  - ANY FLARE OR EXCAVATION BEYOND THE LIMITS SPECIFIED SHALL BE BACKFILLED ACCORDINGLY AT THE EXPENSE OF THE CONTRACTOR.

REVISIONS		WOODWARD AVE. IMPROVEMENTS CONSTRUCTION DETAILS	
NAME	DATE	DATE: 2/09/07	CHECKED BY: S.A.V.
		SCALE: N.T.S.	DRAWN BY: R.W.B.
		FILE NAME: C:\CADFILES\WOODWARD\CONST-DET	