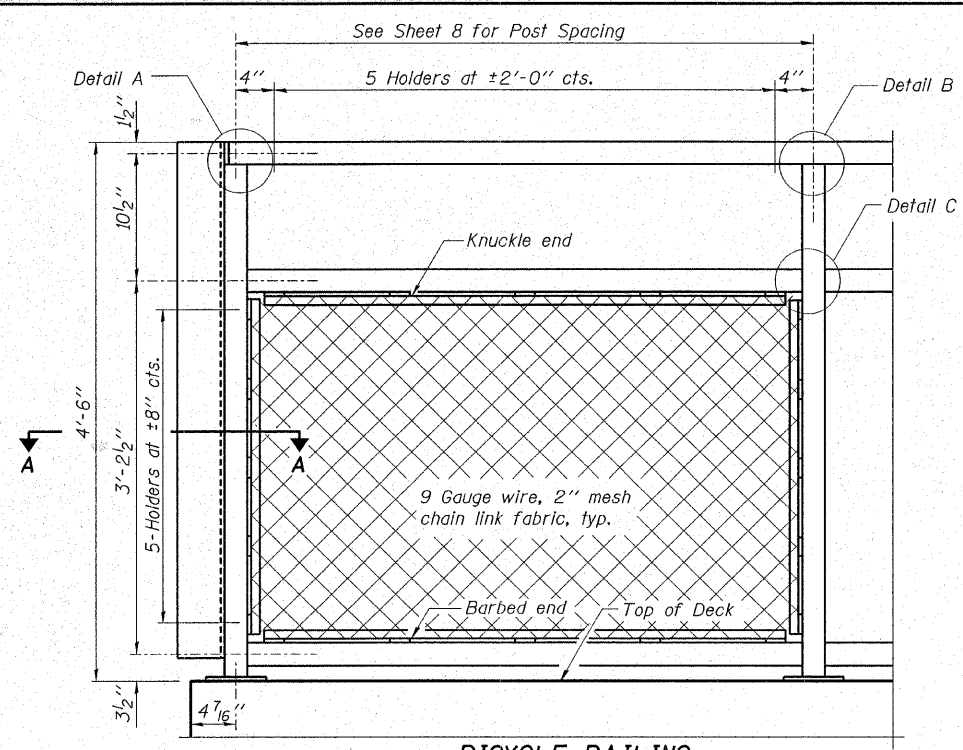


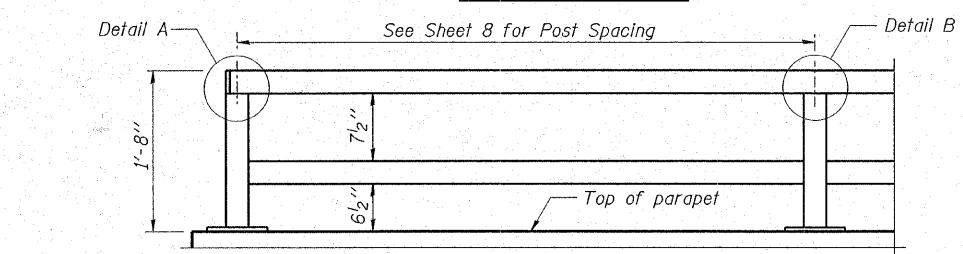
| | | | | |
|---------------------|----------------|------------------|--|-----------|
| ROUTE NO. | SECTION | COUNTY | SHEETS | SHEET NO. |
| F.A.U. 361 | 06-00214-08-BR | KANE | 50 | 24 |
| FED. ROAD DIST. NO. | ILLINOIS | FED. AID PROJECT | CONTRACT NO. 8397B Sheet 10 of 18 W.B. | |

NOTES

Railing shall be according to Section 509 of the Standard Specifications, except as noted.
 All steel rail elements shall be galvanized according to Article 509.05 of the Standard Specifications.

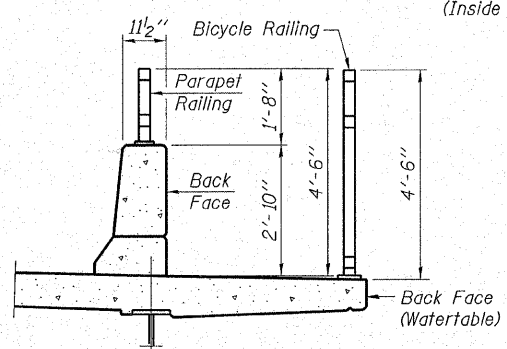


BICYCLE RAILING

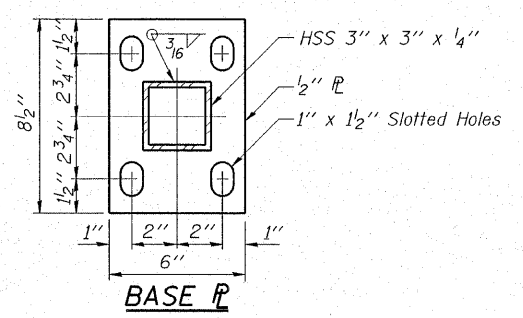


PARAPET RAILING ELEVATION

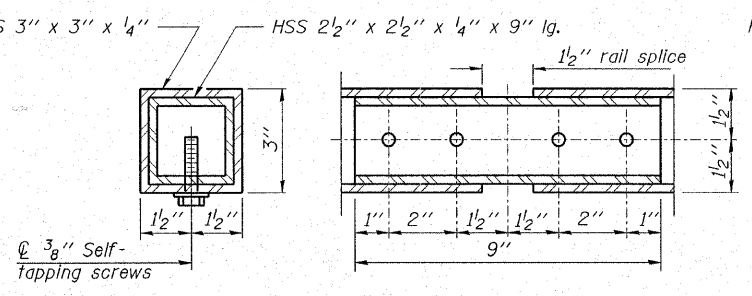
(Inside Face of Two Element Rail)



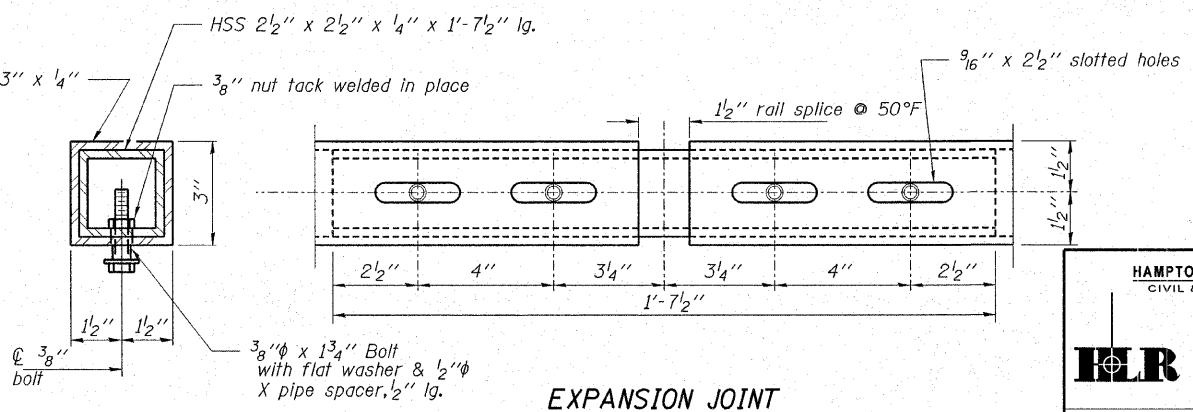
SECTION THRU DECK



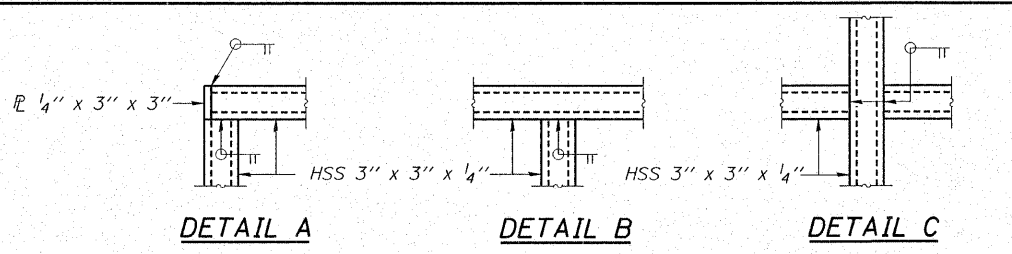
BASE PL



RAIL SPLICE



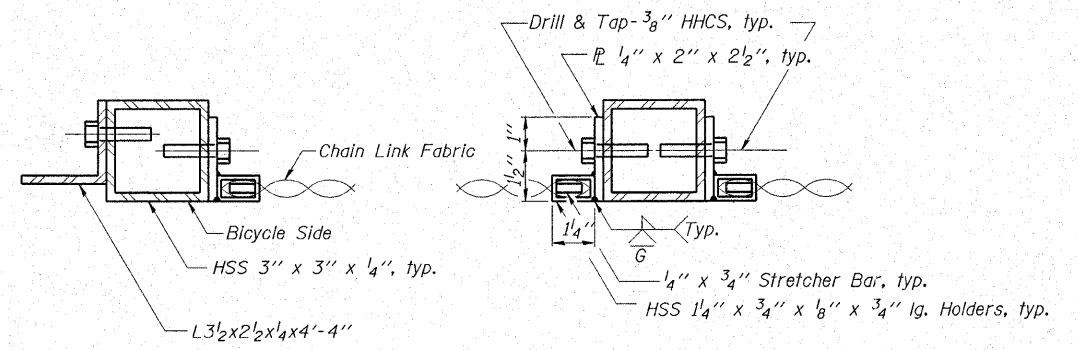
EXPANSION JOINT



DETAIL A

DETAIL B

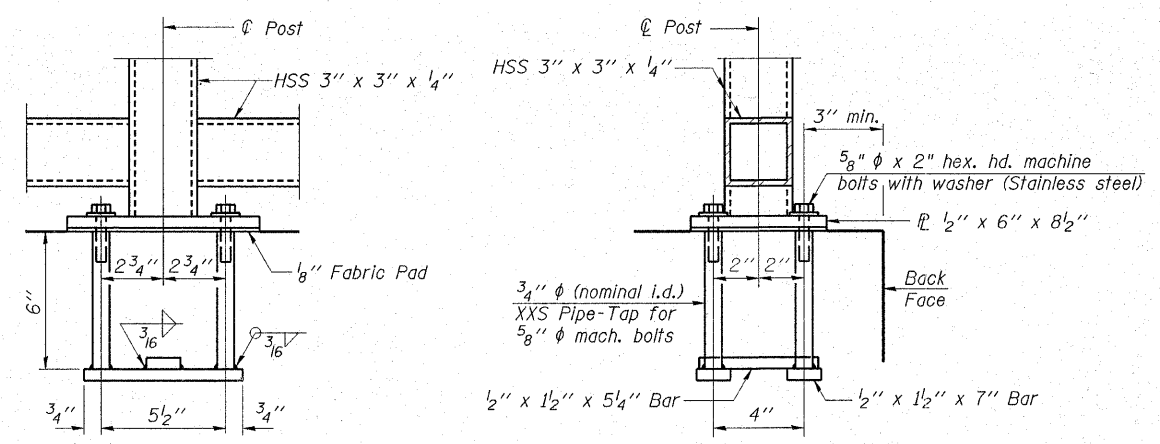
DETAIL C



END POST

INTERIOR POST

SECTION A-A



ANCHOR BOLT DETAILS

In lieu of the cast-in-place anchor device shown, the Contractor has the option of drilling and epoxy grouting 5/8" φ anchor rods. Embedment shall be according to the manufacturer's specifications.

BILL OF MATERIAL

| Item | Unit | Quantity |
|-----------------|------|----------|
| Parapet Railing | Foot | 106 |
| Bicycle Railing | Foot | 106 |

HAMPTON, LENZINI & RENWICK, INC.
 CIVIL & STRUCTURAL ENGINEERS
 LAND SURVEYORS
 3085 STEVENSON DRIVE, SUITE 201
 SPRINGFIELD, ILLINOIS 62703
 (217) 546-3400
 ELGIN • SPRINGFIELD
 PROJECT NUMBER: 12-05-0077-1 DATE: 09/20/07
 DESIGNED T.P.L. CHECKED: J.L.B. DRAWN: P.L.L.

BICYCLE RAILING
 SECTION 06-00214-08-BR
 F.A.U. ROUTE 361 / NEW STEARNS ROAD
 OVER THE NORTH ARM OF BREWSTER CREEK
 KANE COUNTY
 STRUCTURE NO. 045-3165 (W.B.) / STATION 590+18.15