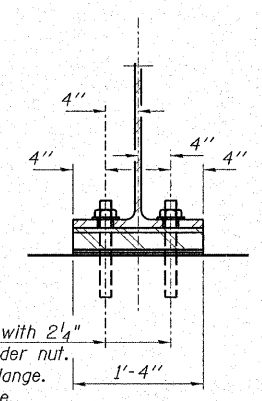


ELEVATION AT ABUTMENT



SECTION A-A

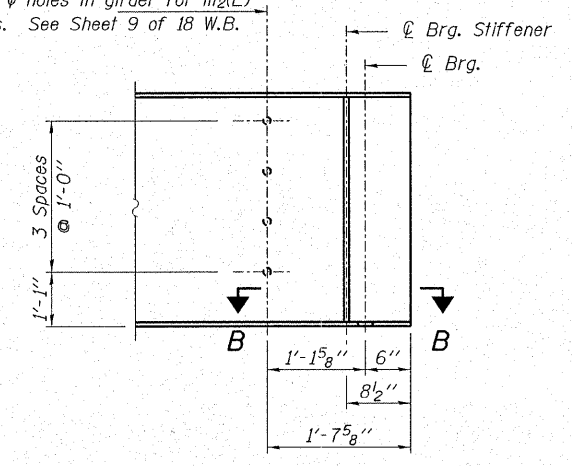
1" ϕ x 12" anchor bolts with 2 1/4" x 2 1/4" x 5/16" PL washer under nut. 1 3/8" x 2" slotted hole in flange. 1 1/2" ϕ holes in bearing plate. Contractor has the option of cast in place or drilled installation.

1/8" elastomeric neoprene leveling mat according to Article 1052.02 of the Standard Specifications. Cost included with Furnishing & Erecting Structural Steel.

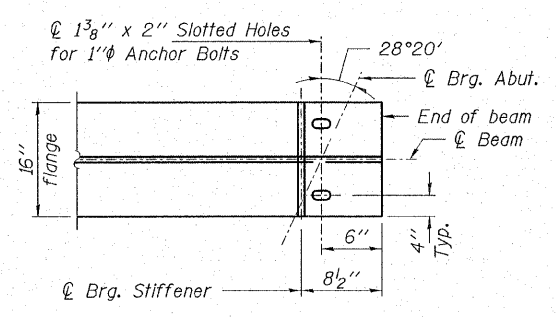
BEARING PLATE

(12 Required)
Bearing Plates are included with Furnishing and Erecting Structural Steel

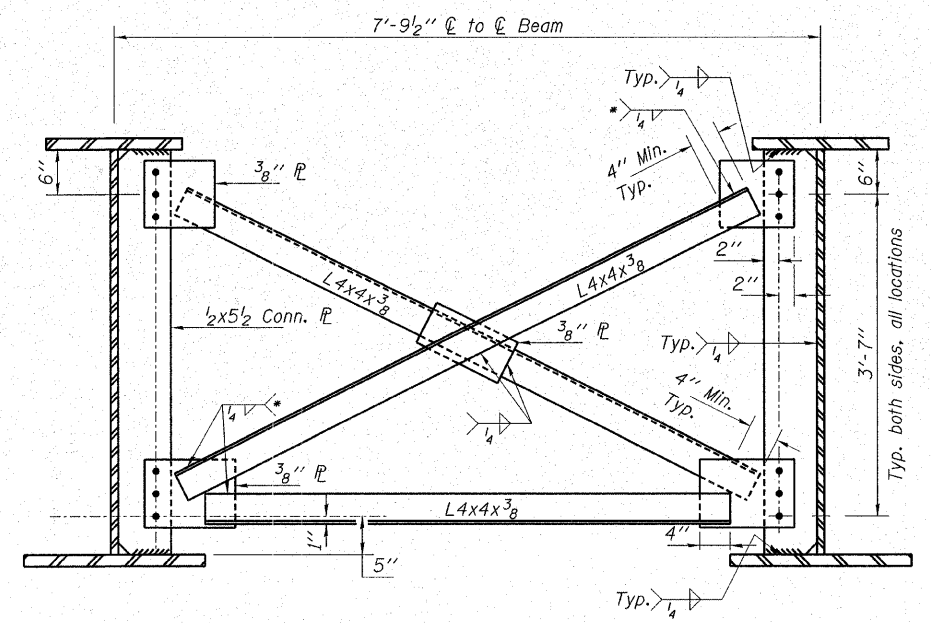
1" ϕ holes in girder for m₂(E) bars. See Sheet 9 of 18 W.B.



TYP. END OF GIRDER ELEVATION



SECTION B-B

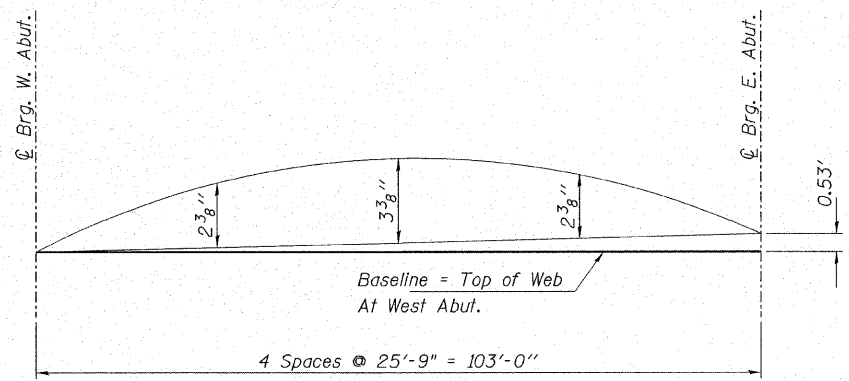


TYPICAL INTERIOR CROSS FRAME (CF)

Notes:
5/16" ϕ holes for all 3/4" ϕ bolts.
Two hardened washers required for each set of oversized holes.

* Fillet weld angles along 3 sides on one face of gusset plate.

All cross frames of diaphragms shall be installed as steel is erected and secured with erection pins and bolts except as otherwise noted. Individual cross frames or diaphragms at supports may be temporarily disconnected to install bearing anchor rods.



CAMBER DIAGRAM

	HAMPTON, LENZINI & RENWICK, INC. CIVIL & STRUCTURAL ENGINEERS LAND SURVEYORS		STRUCTURAL STEEL DETAILS SECTION 06-00214-08-BR F.A.U. ROUTE 361 / NEW STEARNS ROAD OVER THE NORTH ARM OF BREWSTER CREEK KANE COUNTY STRUCTURE NO. 045-3165 (W.B.) / STATION 590+18.15
	3085 STEVENSON DRIVE, SUITE 201 SPRINGFIELD, ILLINOIS 62703 (217) 546-3400		
	ELGIN • SPRINGFIELD		
	PROJECT NUMBER: 12-05-0077-1 DESIGNED-T.P.L.	DATE: 09/20/07 CHECKED: J.L.B. DRAWN: P.J.L.	