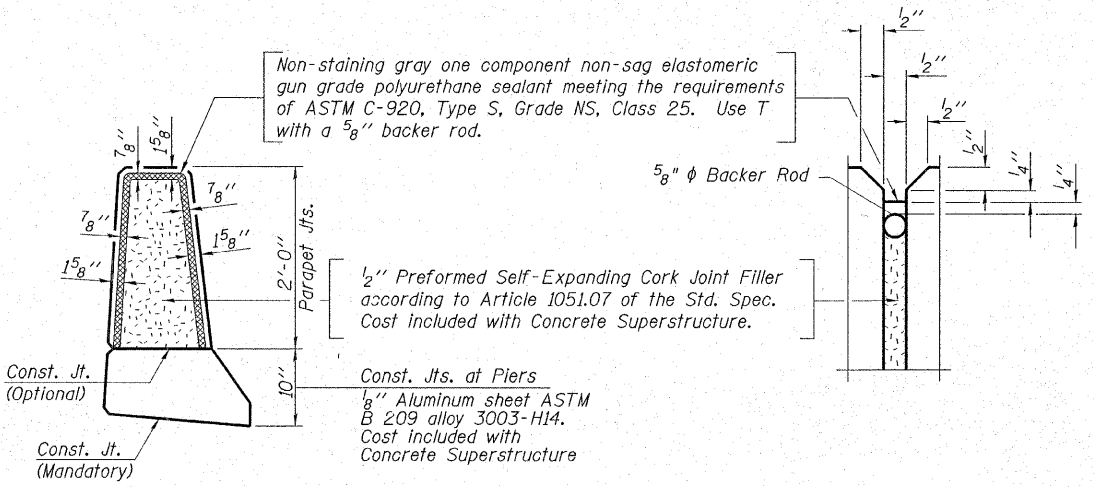
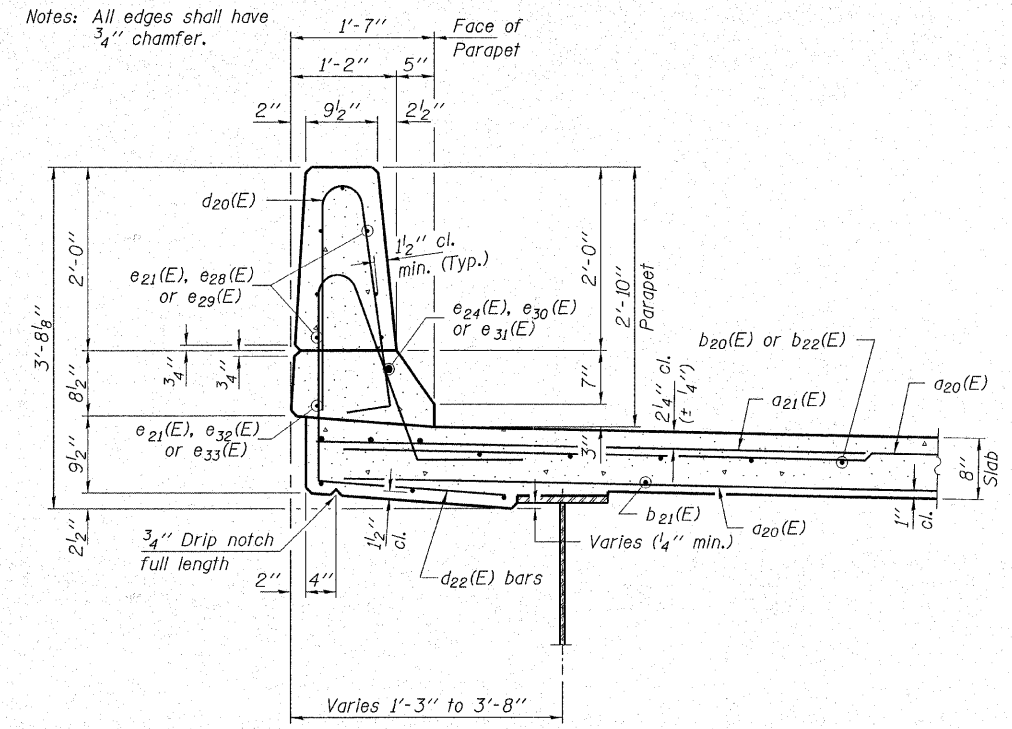


INSIDE ELEVATION OF SOUTH PARAPET
(Eastbound Structure)

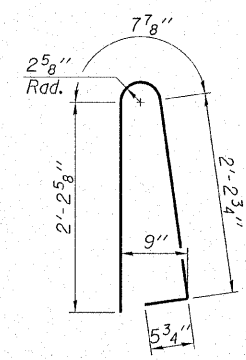
MIN. BAR LAPS
 #4 bars = 1'-8"
 #5 bars = 2'-2"
 #8 bars = 4'-6"



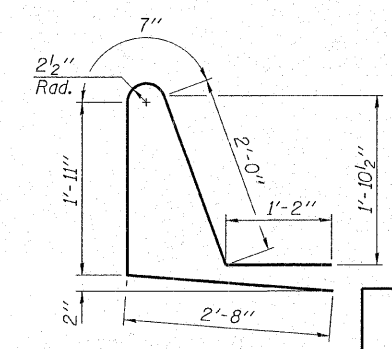
PARAPET JOINT DETAILS



SECTION THRU PARAPET



BAR d₂₀(E)



BAR d₂₂(E)

Note:
For Superstructure Bill of Material See Sheet #6

HAMPTON, LENZINI & RENWICK, INC.
 CIVIL & STRUCTURAL ENGINEERS
 LAND SURVEYORS

3085 STEVENSON DRIVE, SUITE 201
 SPRINGFIELD, ILLINOIS 62703
 (217) 546-3400

HLR

ELGIN • SPRINGFIELD

PROJECT NUMBER: 12-05-0077-1 DATE: 09/20/07
 DESIGNED: T.P.L. CHECKED: J.L.B. DRAWN: P.J.L.

SUPERSTRUCTURE DETAILS
 SECTION 06-00214-08-BR
 F.A.U. ROUTE 361 / NEW STEARNS ROAD
 OVER THE NORTH ARM OF BREWSTER CREEK
 KANE COUNTY

STRUCTURE NO. 045-3167 (E.B.) / STATION 590+50.50