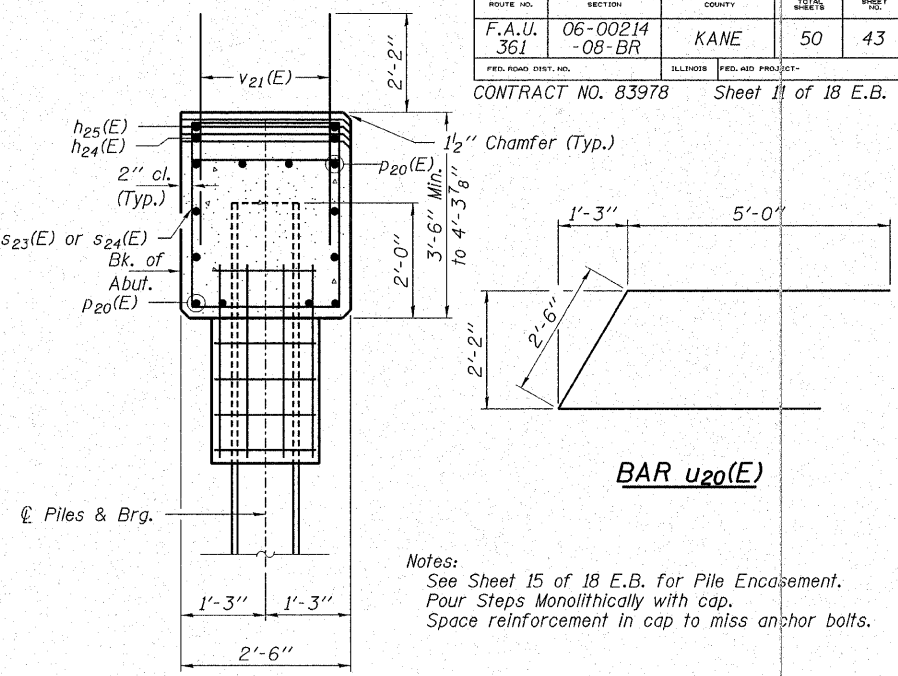
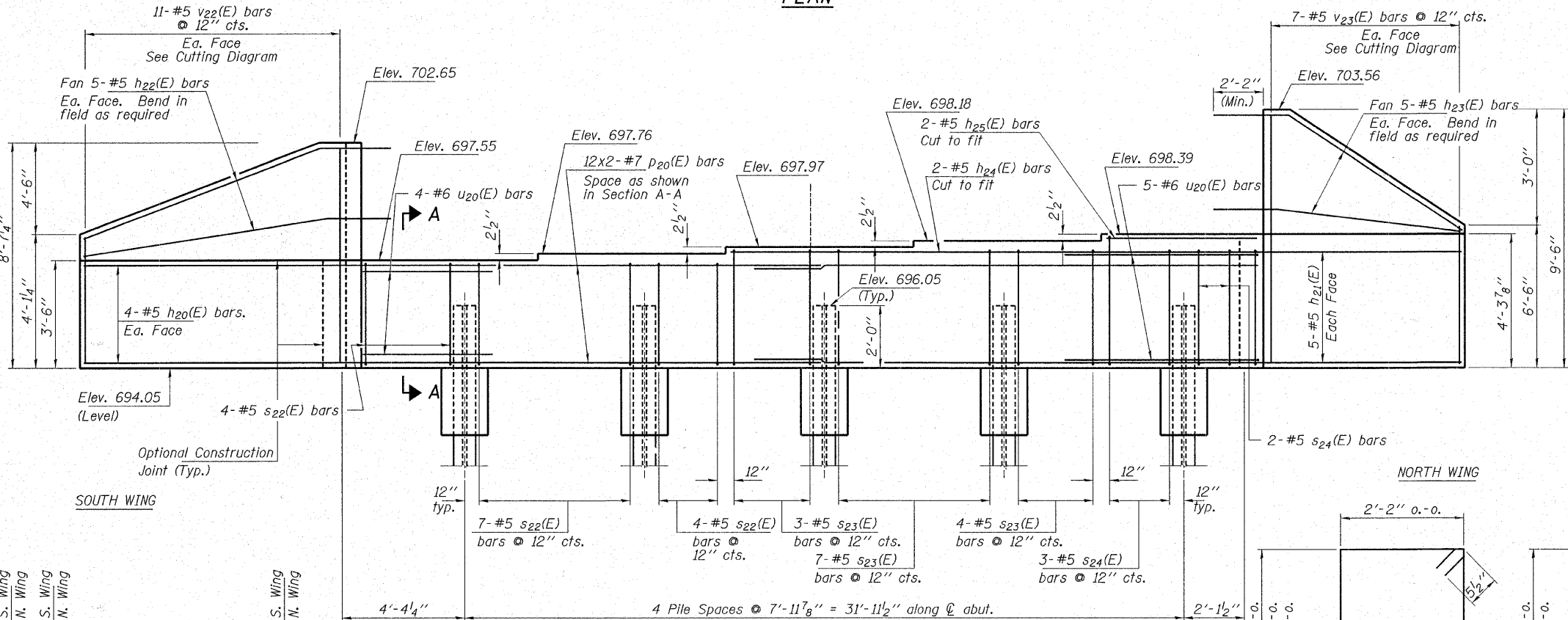


**PLAN**



**SECTION A-A**

Notes:  
See Sheet 15 of 18 E.B. for Pile Encasement.  
Pour Steps Monolithically with cap.  
Space reinforcement in cap to miss anchor bolts.



**ELEVATION**  
(West Abutment looking West)

**PILE DATA**

Type and Size \_\_\_\_\_ Steel HP12x63  
 Nominal Req'd Bearing \_\_\_\_\_ 497 Kips/Pile  
 Allowable Resistance Available \_\_\_\_\_ 166 Kips/Pile  
 Est. Length \_\_\_\_\_ 50 Ft/Pile  
 No. of Production Piles \_\_\_\_\_ 4  
 No. of Test Piles \_\_\_\_\_ 1

Notes: The Steel H-Piles shall be according to AASHTO M270 Grade 50.

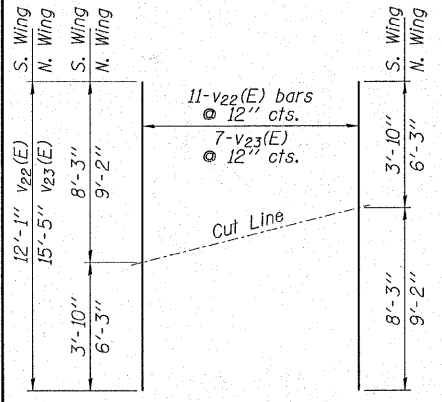
The test pile shall be driven to 110 percent of the Nominal Required Bearing Indicated in the pile data information.

See Sheet 15 of 18 E.B. for Pile Details.

**BILL OF MATERIAL WEST ABUT.**

BAR	NO.	SIZE	LENGTH	SHAPE
h20(E)	8	#5	12'-0"	—
h21(E)	10	#5	9'-0"	—
h22(E)	10	#5	13'-1"	—
h23(E)	10	#5	10'-1"	—
h24(E)	2	#5	22'-8"	—
h25(E)	2	#5	6'-5"	—
p20(E)	24	#7	21'-6"	—
s22(E)	15	#5	11'-7"	□
s23(E)	15	#5	12'-3"	□
s24(E)	5	#5	13'-3"	□
s25(E)	1	#5	12'-2"	□
s26(E)	1	#5	13'-10"	□
u20(E)	9	#6	12'-6"	—
v21(E)	77	#5	4'-4"	—
v22(E)	11	#5	12'-1"	—
v23(E)	7	#5	15'-5"	—
Concrete Structures		Cu. Yd.	18.4	
Reinforcement Bars, Epoxy Coated		Pound	2,790	
Furnishing Steel Piles HP 12x63		Foot	200	
Driving Piles		Foot	200	
Test Pile Steel HP 12x63		Each	1	
Concrete Encasement		Cu. Yd.	1.7	

Bars indicated thus 12x2-#7 etc. indicates 12 lines of bars with 2 lengths per line.

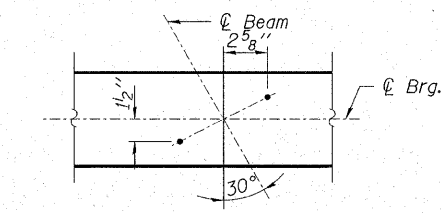


**FIELD CUTTING DIAGRAM**

Order v22(E) & v23(E) full length. Cut as shown and use remainder of bars in opposite face.

**MIN. BAR LAPS**

#5 = 2'-2"  
 #7 = 4'-10"



**TYP. ANCHOR BOLT LOCATIONS**

**HAMPTON, LENZINI & RENWICK, INC.**  
 CIVIL & STRUCTURAL ENGINEERS  
 LAND SURVEYORS

**HLR**

3085 STEVENSON DRIVE, SUITE 201  
 SPRINGFIELD, ILLINOIS 62703  
 (217) 546-3400

ELGIN • SPRINGFIELD

PROJECT NUMBER: 12-05-0077-1 DATE: 09/20/07  
 DESIGNED: T.P.L. CHECKED: J.L.B. DRAWN: P.J.L.

**WEST ABUTMENT**  
 SECTION 06-00214-08-BR  
 F.A.U. ROUTE 361 / NEW STEARNS ROAD  
 OVER THE NORTH ARM OF BREWSTER CREEK  
 KANE COUNTY

**STRUCTURE NO. 045-3167 (E.B.) / STATION 590+50.50**