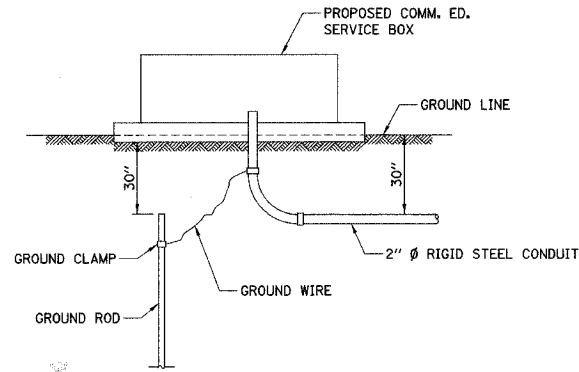


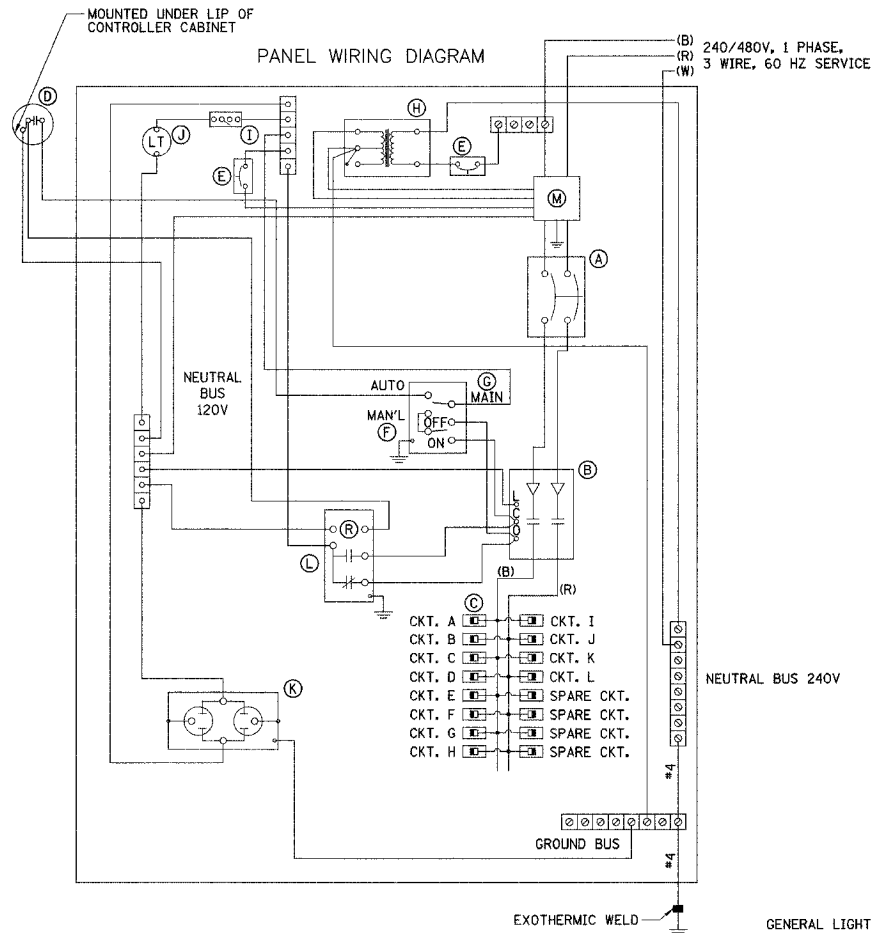
F.A.U. RTE.	SECTION	COUNTY	TOTAL SHEETS	SHEET NO.
1338	05-00083-00-FF	COOK	167	115
STA.		TO STA.		
FED. ROAD DIST. NO. 7		ILLINOIS FED. AID PROJECT M-8003(512)		



PROPOSED SERVICE INSTALLATION

NOTE: GROUND ROD, GROUND CLAMPS & GROUND WIRE TO BE IN ACCORDANCE WITH COMM. ED. REQUIREMENTS.

ITEM NUMBER	ITEMS	UNIT	QUANTITY
21300010	EXPLORATION TRENCH, SPECIAL	FOOT	125
80400100	ELECTRIC SERVICE INSTALLATION	EACH	1
80400200	ELECTRIC UTILITY SERVICE CONNECTION	L. SUM	1
81000600	CONDUIT IN TRENCH, 2" DIA., GALVANIZED STEEL	FOOT	171
81001000	CONDUIT IN TRENCH, 4" DIA., GALVANIZED STEEL	FOOT	1544
81018500	CONDUIT PUSHED, 2" DIA., GALVANIZED STEEL	FOOT	286
81018900	CONDUIT PUSHED, 4" DIA., GALVANIZED STEEL	FOOT	377
81603025	UNIT DUCT, 600V, 2-1C NO.4, 1/C NO.4 GROUND, (XLP-TYPE USE), 1" DIA. POLYETHYLENE	FOOT	2550
81603085	UNIT DUCT, 600V, 3-1C NO.4, 1/C NO.4 GROUND, (XLP-TYPE USE), 1 1/4" DIA. POLYETHYLENE	FOOT	20250
81702460	ELECTRIC CABLE IN CONDUIT, 600V (XLP-TYPE USE) 3-1/C NO. 3/0	FOOT	150
81900200	TRENCH AND BACKFILL FOR ELECTRICAL WORK	FOOT	11350
82102250	LUMINAIRE, SODIUM VAPOR, HORIZONTAL MOUNT, 250 WATT	EACH	43
82102400	LUMINAIRE, SODIUM VAPOR, HORIZONTAL MOUNT, 400 WATT	EACH	4
82500505	LIGHTING CONTROLLER, SPECIAL	EACH	1
83020500	LIGHT POLE, ALUMINUM, TRANSFORMER BASE, 30 FT. M.H., 12 FT. MAST ARM	EACH	39
83022500	LIGHT POLE, ALUMINUM, TRANSFORMER BASE, 40 FT. M.H., 12 FT. MAST ARM	EACH	8
83600215	LIGHT POLE FOUNDATION, 24" DIAMETER, OFFSET	FOOT	120
83600310	LIGHT POLE FOUNDATION, 30" DIAMETER, SPECIAL	FOOT	12
83600400	POLE FOUNDATION, METAL	EACH	72
84200500	REMOVAL OF EXISTING LIGHTING UNIT, SALVAGE	EACH	24
84200700	LIGHTING FOUNDATION REMOVAL	EACH	25
84400105	RELOCATE EXISTING LIGHTING UNIT	EACH	1
84500120	REMOVAL OF ELECTRIC SERVICE INSTALLATION	EACH	14
89502300	REMOVE ELECTRIC CABLE FROM CONDUIT	FOOT	21586
	DECORATIVE LIGHTING UNIT, 100 WATT HPS, 12' M.H.	EACH	35
	LUMINAIRE, SODIUM VAPOR, HORIZONTAL MOUNT, 250 WATT (MATERIAL ONLY)	EACH	2
	LUMINAIRE, SODIUM VAPOR, HORIZONTAL MOUNT, 400 WATT (MATERIAL ONLY)	EACH	2
	LIGHT POLE, ALUMINUM, TRANSFORMER BASE, 30 FT. M.H., 12 FT. MAST ARM (MATERIAL ONLY)	EACH	2
	LIGHT POLE, ALUMINUM, TRANSFORMER BASE, 40 FT. M.H., 12 FT. MAST ARM (MATERIAL ONLY)	EACH	2
	DECORATIVE LIGHTING UNIT, 100 WATT HPS, 12' M.H. (MATERIAL ONLY)	EACH	2



LIGHTING CONTROLLER WIRING DIAGRAM

ITEM	QUANT.	DESCRIPTION
(A)	1	200 AMP CIRCUIT BREAKER, MOLDED CASE, THERMAL MAGNETIC, 2-POLE, SINGLE THROW, 600V FRAME, NON-INTERCHANGEABLE TRIP, BOLT ON TYPE; INTERRUPTING CAPACITY OF NOT LESS THAN 25,000 RMS SYMMETRICAL AMPERES AT 600V
(B)	1	200 A., ELECTRICALLY OPERATED AND MECHANICALLY HELD LIGHTING CONTACTOR, 2-POLE, 600 V. WITH 120 V. COIL
(C)	12	240/480 V. 1 PHASE PANEL BOARD WITH 200 A. COPPER MAINS SINGLE POLE, 30 A., 277 V. BOLT ON BRANCH CIRCUIT BREAKERS INTERRUPTING CAPACITY OF NOT LESS THAN 14,000 RMS SYMMETRICAL AMPERES AT 277 V.
(D)	1	PHOTO-ELECTRIC CELL, 120 V, MOUNT UNDER LIP OF CONTROLLER CABINET
(E)	2	THERMAL MAGNETIC, MOLDED CASE CIRCUIT BREAKER, 1 POLE, 15 A., 277 V. BOLT ON TYPE, INTERRUPTING CAPACITY OF NOT LESS THAN 14,000 RMS SYMMETRICAL AMPERES AT 277 V.
(F)	1	CONTROL SWITCH, MOMENTARY CONTACT, SPDT, 15 A., 240 V.
(G)	1	CONTROL SWITCH, TOGGLE TYPE, SPDT, 20 A., 240 V. SPEC. GRADE
(H)	1	240/120V. STEP DOWN CONTROL TRANSFORMER 1500 VA RATED
(I)	1	MICRO SWITCH (MOUNTED WITH ACTUATOR TO SWITCH WHEN DOOR IS OPEN)
(J)	1	60 WATT LIGHT FIXTURE VAPORTIGHT WITH GLOBE, GUARD AND MOUNTING BOX
(K)	1	120 VOLT, 15 A. GFCI RECEPTACLE, SPECIFICATION GRADE IN NEMA 5-15R WEATHERPROOF BOX WITH FLAP-TYPE COVER
(L)	1	POWER RELAY WITH CONTACTS RATED FOR CONTACTOR INRUSH CURRENT - 120 V COIL
(M)	1	SURGE ARRESTOR, 5 WIRE EDCO "4803" OR EQUAL

GENERAL LIGHTING NOTES:

- CARE IS TO BE TAKEN AS NOT TO DAMAGE ANY OF THE EXISTING TRAFFIC SIGNAL CONDUITS, DETECTORS AND EQUIPMENT. IF ANY OF THE TRAFFIC SIGNAL CONDUIT AND/OR EQUIPMENT IS DAMAGED, THE CONTRACTOR SHALL REPAIR AND/OR REPLACE THE CONDUIT AND/OR EQUIPMENT AT NO COST TO THE COUNTY.
- THE CONTRACTOR SHALL MAKE SPECIAL NOTE OF THE REQUIREMENT FOR BURIED WARNING TAPE, SPECIFIED AS PART OF "TRENCH AND BACKFILL FOR ELECTRICAL WORK". THE INSTALLATION OF THE TAPE SHALL BE INSPECTED AND APPROVED BY THE RESIDENT ENGINEER PRIOR TO BACKFILLING OR DURING PLOWING OPERATIONS, AS APPLICABLE.
- THE CONTRACTOR SHALL BE RESPONSIBLE FOR THE ESTABLISHMENT OF FINISHED GRADE. THE RESIDENT ENGINEER MAY ASSIST THE CONTRACTOR, AS APPLICABLE, BUT THE RESPONSIBILITY FOR COORDINATING THE FINISHED GRADE ELEVATION WITH THE TOP OF THE FOUNDATION HEIGHTS AND THE LIGHT SHALL REMAIN WITH THE CONTRACTOR.
- NO POLES SHALL BE ERECTED UNTIL THE RESPECTIVE FOUNDATIONS HAVE CURED, AS APPROVED BY THE ENGINEER.
- THE CONTRACTOR SHALL MAKE SPECIAL NOTE OF THE REQUIREMENTS FOR WIRE MARKERS AND SHALL TAG ALL WIRE MARKERS AND WIRE ACCORDINGLY.
- EQUIPMENT GROUND CONDUCTORS SHALL BE SPLICED AND BONDED AT EACH LIGHT POLE OR OTHER PIECE OF EQUIPMENT.
- CONDUIT AND UNIT DUCT MUST BE POSITIONED IN THE FIELD TO AVOID CONFLICT WITH TREES, BUSHES, DRAINS AND OTHER UTILITIES AND LANDSCAPING.
- SPLICES ARE NOT ALLOWED IN THE HANDHOLE.
- ALL DISTURBED AREA WHERE RESTORATION IS NOT COVERED BY APPLICABLE SECTIONS OF THE SPECIAL PROVISIONS MUST BE RESTORED TO THE SATISFACTION OF THE ENGINEER. THE WORK MUST BE CONSIDERED INCIDENTAL TO THE CONTRACT. SEPARATE PAYMENT WILL NOT BE MADE.
- THE EXACT LOCATIONS OF ALL UTILITIES SHALL BE VERIFIED BY THE CONTRACTOR BEFORE THE INSTALLATION OF ANY COMPONENTS OF THE LIGHTING SYSTEM. FOR THE LOCATIONS OF THE UTILITIES, CALL J.U.L.I.E. TOLL FREE AT 1-800-892-0123. IT IS THE CONTRACTOR'S RESPONSIBILITY TO LOCATE EXISTING TRAFFIC SIGNAL CABLES AND CONDUITS.

ILLINOIS DEPARTMENT OF TRANSPORTATION

LIGHTING DETAILS
WISE ROAD

DATE: 9/28/07
DESIGNED BY: SJC
CHECKED BY: JRV