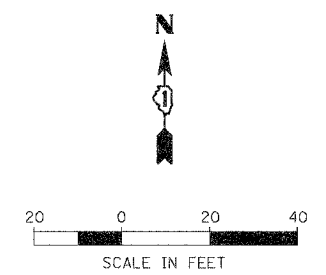
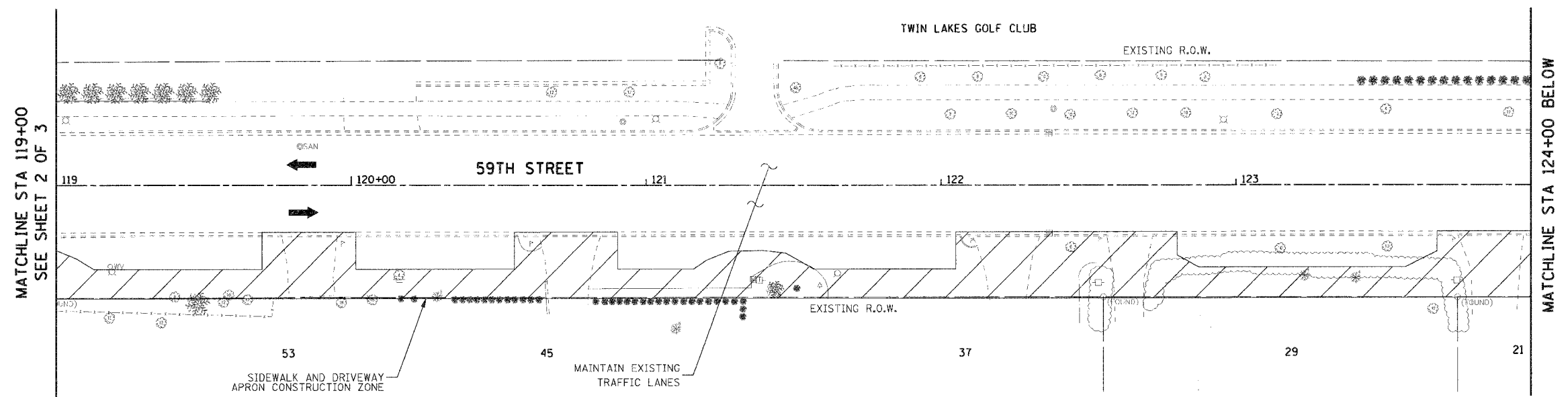


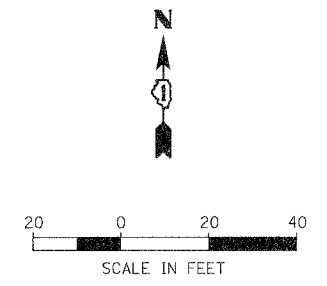
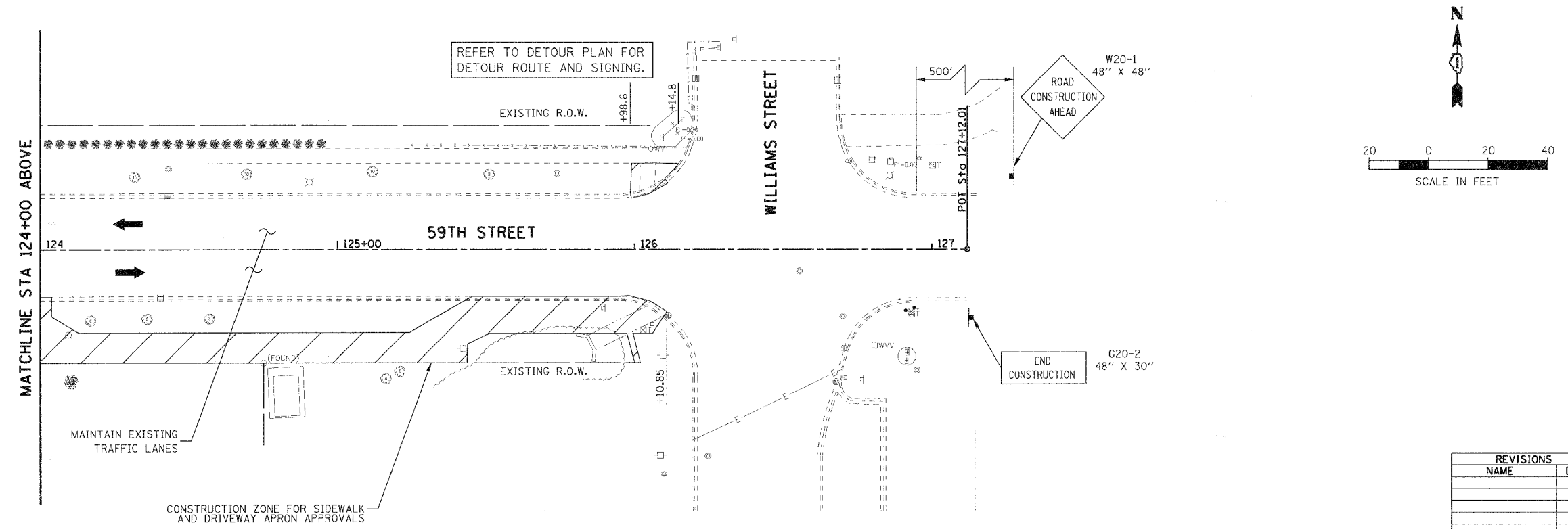
F.A.U. RTE.	SECTION	COUNTY	TOTAL SHEETS	SHEET NO.
1512	05-00093-00-WR	DUPAGE	72	16
STA. 119+00		TO STA. 127+00		
FED. ROAD DIST. NO. 1 ILLINOIS FED. AID PROJECT				
PROJECT NO.: M-8003 (699)				

PLAN	SURVEYED	DATE
	PLOTTED	BY
	NOTED	
	RT. OF WAY CHECKED	
	CONTRACT FILE NAME	
	NO.	



- LEGEND:
- CONSTRUCTION ZONE
  - DIRECTION OF TRAFFIC
  - TYPE II BARRICADE
  - TYPE III BARRICADE
  - MAINTENANCE OF TRAFFIC SIGNS

PROFILE	SURVEYED	DATE
	PLOTTED	BY
	NOTED	
	STRUCTURE NOTATIONS OK'D	
	NO.	



REVISIONS		ILLINOIS DEPARTMENT OF TRANSPORTATION
NAME	DATE	
		VILLAGE OF WESTMONT 59TH STREET RECONSTRUCTION MAINTENANCE OF TRAFFIC, STAGE 2 SHEET 3 OF 3 SCALE: 1"=20' DATE: 09/21/07

DRAWN BY: JMT  
CHECKED BY: MAP

PLOT DATE = #DATE#  
FILE NAME = #FILE#  
PLOT SCALE = #SCALE#  
USER NAME = #USER#