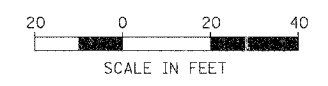
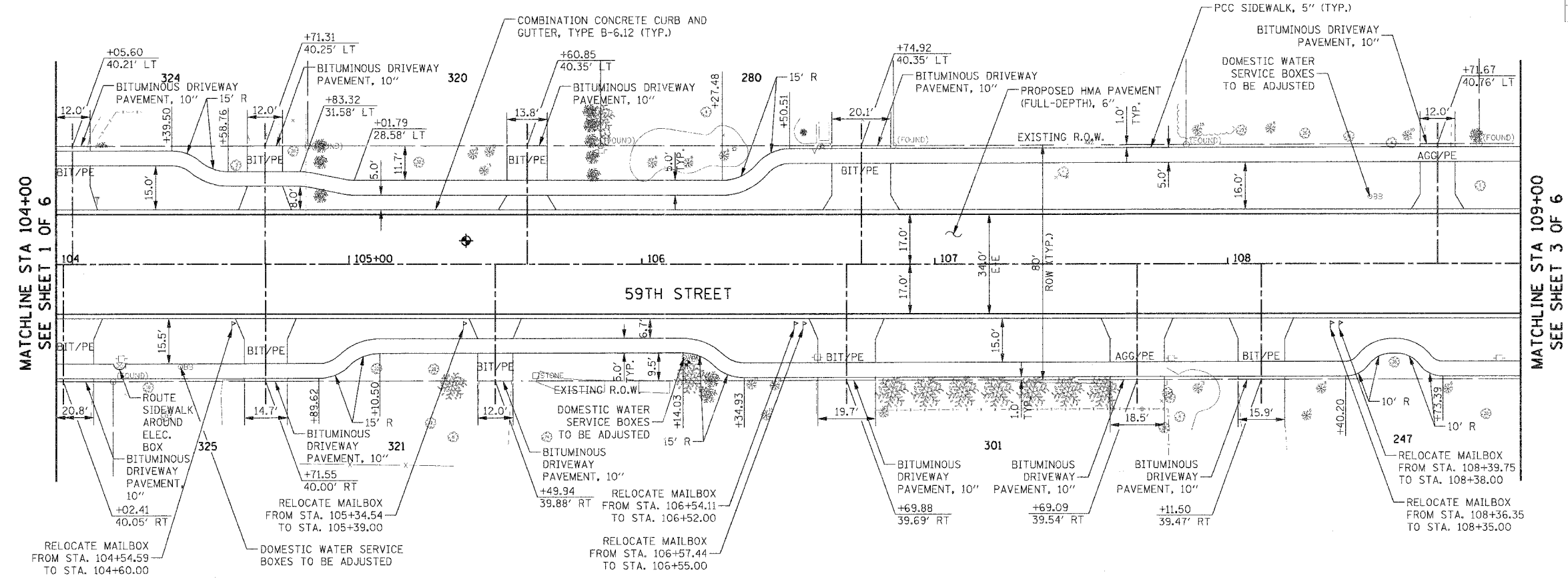
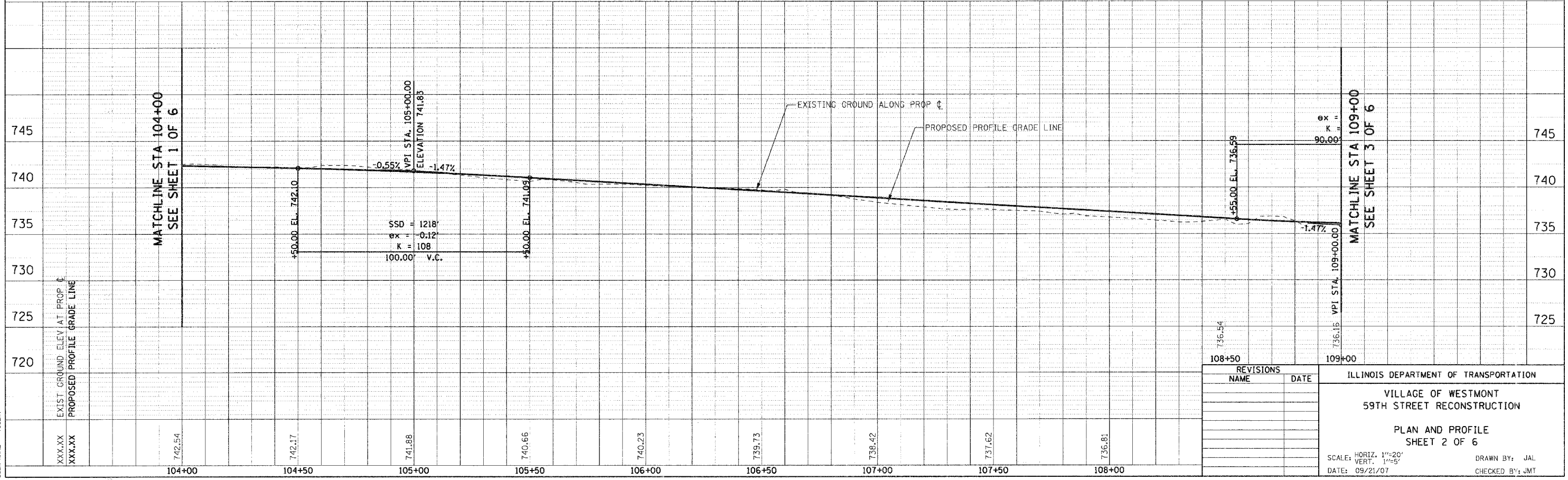


F.A.U. RTE.	SECTION	COUNTY	TOTAL SHEETS	SHEET NO.
1512	05-00093-00-WR	DUPAGE	72	21
STA. 104+00		TO STA. 109+00		
FED. ROAD DIST. NO. 1 ILLINOIS FED. AID PROJECT				
PROJECT NO.: M-8003 (699)				

PLAN	SURVEYED	DATE
NO.	BY	
	NOTED	
	REVISIONS	
	RT. OF WAY CHECKED	
	CADD FILE NAME	



PROFILE	SURVEYED	DATE
NO.	BY	
	NOTED	
	REVISIONS	
	STRUCTURE NOTATIONS	



PLOT DATE	DATE
FILE NAME	FILE #
PLOT SCALE	SCALE #
USER NAME	USER #

REVISIONS	
NAME	DATE

ILLINOIS DEPARTMENT OF TRANSPORTATION

VILLAGE OF WESTMONT

59TH STREET RECONSTRUCTION

PLAN AND PROFILE

SHEET 2 OF 6

SCALE: HORIZ. 1"=20'
VERT. 1"=5'

DATE: 09/21/07

DRAWN BY: JAL
CHECKED BY: JMT