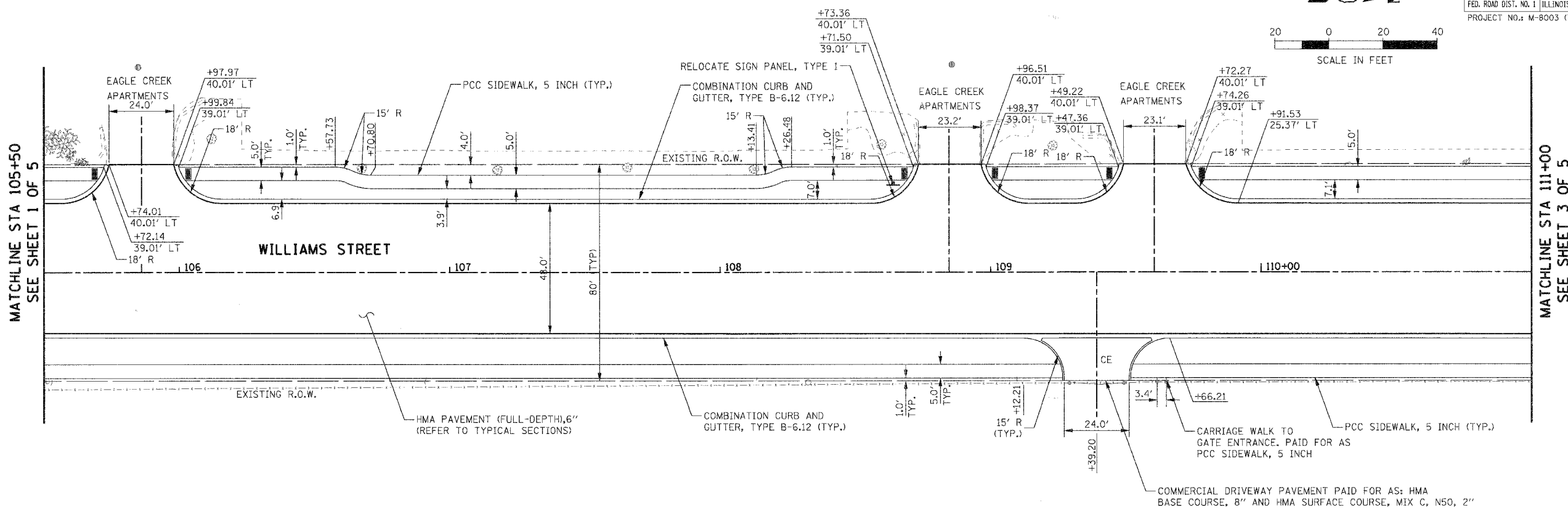
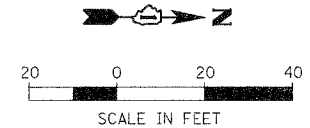
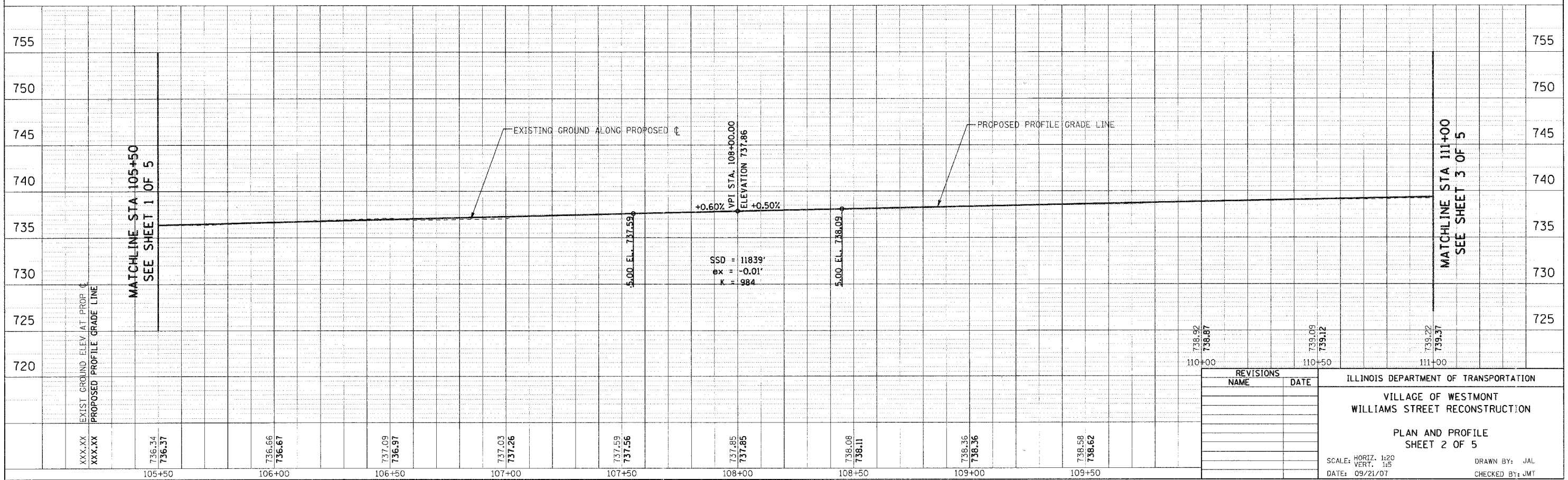


F.A.U. RTE.	SECTION	COUNTY	TOTAL SHEETS	SHEET NO.
2993	05-00094-00-WR	DUPAGE	67	22
STA. 105+50		TO STA. 111+00		
FED. ROAD DIST. NO. 1 ILLINOIS FED. AID PROJECT				
PROJECT NO. M-8003 (707)				



PLAN	SURVEYED	DATE
	BY	
	DATE	
	BY	
	DATE	
	BY	
	DATE	
	BY	
	DATE	

PROFILE	SURVEYED	DATE
	BY	
	DATE	
	BY	
	DATE	
	BY	
	DATE	
	BY	
	DATE	



REVISIONS	
NAME	DATE

ILLINOIS DEPARTMENT OF TRANSPORTATION
 VILLAGE OF WESTMONT
 WILLIAMS STREET RECONSTRUCTION
 PLAN AND PROFILE
 SHEET 2 OF 5

SCALE: HORIZ. 1:20
 VERT. 1:5
 DATE: 09/21/07

DRAWN BY: JAL
 CHECKED BY: JMT

PLOT DATE: #DATE#
 FILE NAME: #FILE#
 PLOT SCALE: #SCALE#
 USER NAME: #USER#