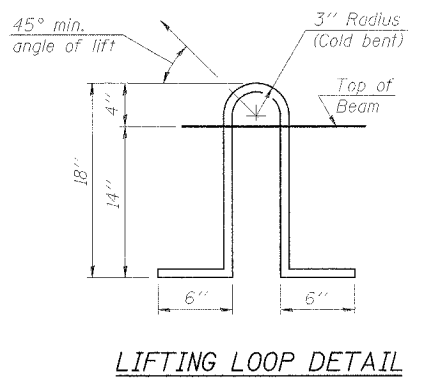
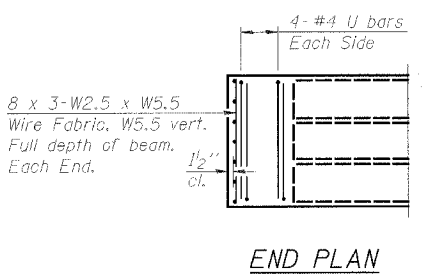
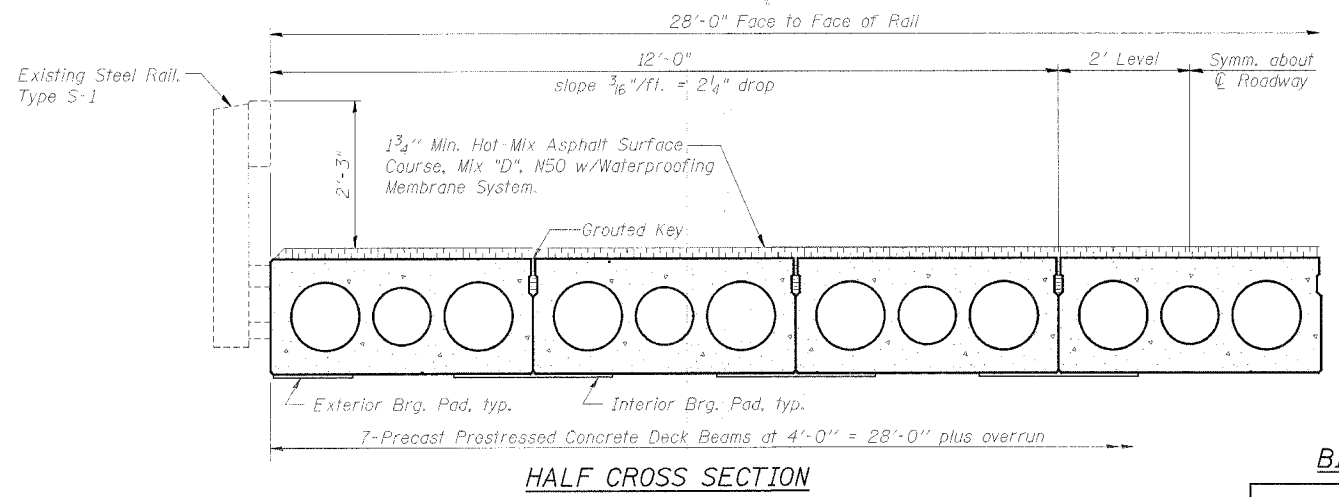
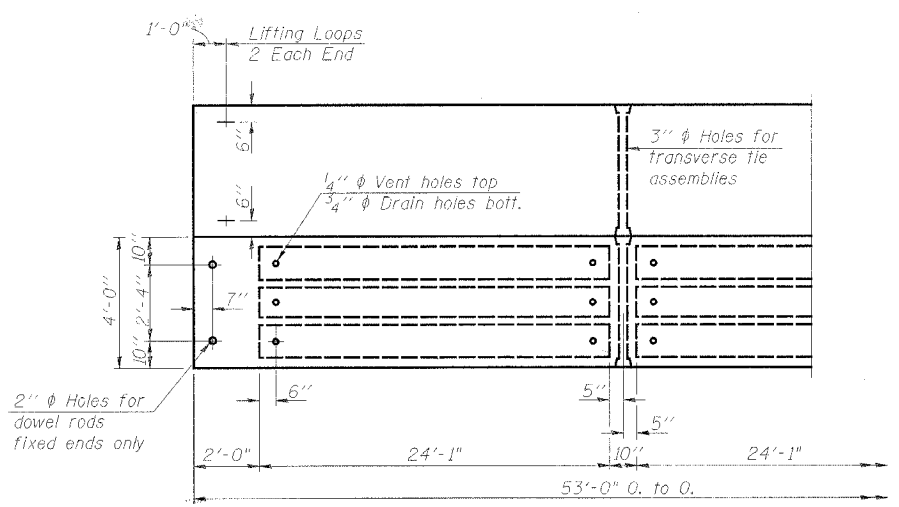
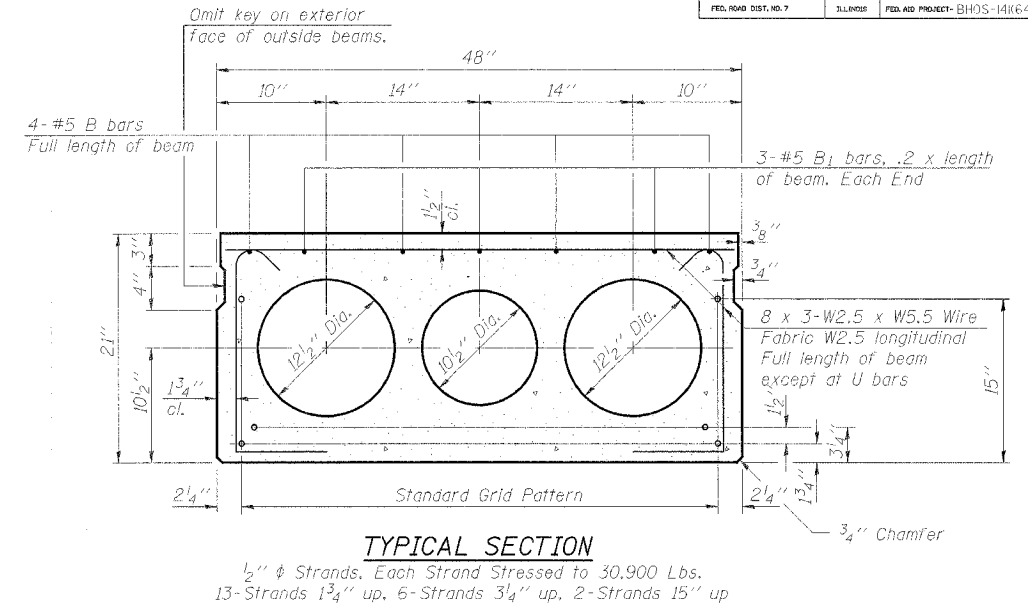
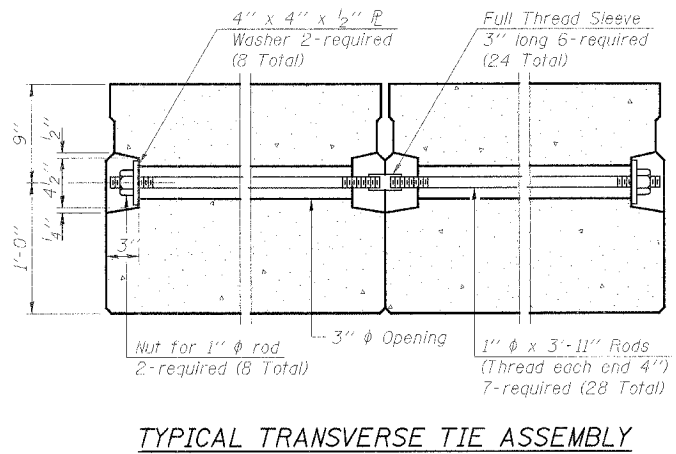
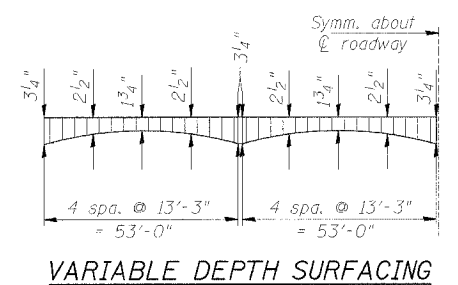
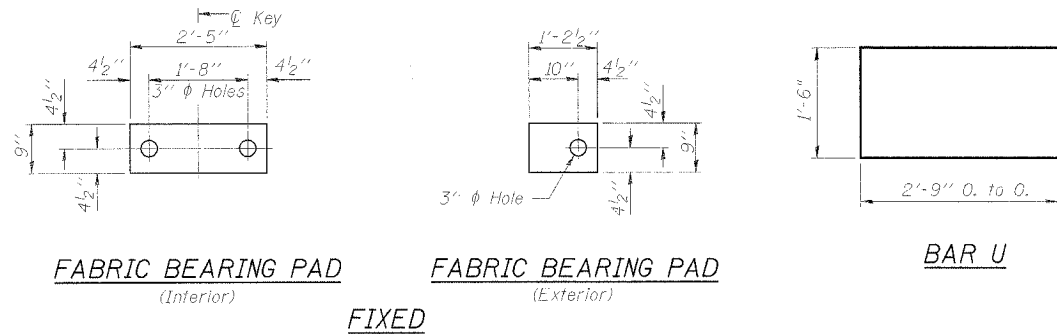


DATE	SECTION	COUNTY	SHEET
TR 06-15118-01-BR	06-02121-01-BR	OGLE	14
61A	WINNEBAGO		6
FED. ROAD DIST. NO. 7	ILLINOIS	FED. AID PROJECT: BH05-14(R64)	



NOTES

Prestressing steel shall be uncoated high strength, low relaxation 7-wire strand, Grade 270. The nominal diameter shall be 1/2" and the nominal cross-sectional area shall be 0.153 sq. in. Lifting loops shall be 2 - 1/2" diameter 270 ksi strands, as shown. The 1" diameter rods in the transverse tie assembly shall be tightened to a snug fit and the threads set. Packets that receive transverse tie bar on outside shall be filled with grout after transverse tie assembly is in place. Non prestressing steel shall conform to AASHTO M-31, M-42 or M-53 Grade 60. The bearing seat surfaces shall be adjusted by shimming to assure firm and even bearing. Two 1/8" fabric adjusting shims of the dimensions of the Exterior Bearing Pad shall be provided for each bearing. Keyway surfaces shall be cleaned to remove form oil or other bond breaking material prior to shipment of the beams. Cleaning shall be done by sandblasting the keyway areas between top of the beam and the bottom edge of the key. Corrosion Inhibitor, as covered in the Special Provisions, shall be used in the concrete for precast prestressed concrete deck beams. Required Release Strength, f'ci, shall be 4,000 p.s.i. The top surface of the beams shall be finished according to the IDOT Manual for Fabrication of Precast Prestressed Concrete Products.

Note:
Place strands symmetrically about centerline of beam.

BILL OF MATERIAL

Item	Unit	Quant.
Hot-Mix Asphalt Surface Course, Mix "D", NSO	Ton	100
21" Precast, Prestressed Conc. Deck Bms.	Sq. Ft.	5,936
Waterproofing Membrane System	Sq. Yd.	665
Portland Cement	Ft.	1,272
Concrete Fairing Course		

DECK BEAM DETAILS
EDSON ROAD (TR 61A) OVER
SOUTH BRANCH KISHWAUKEE RIVER
STA. 41+00 (071-3304)
SECTION 06-15118-01-BR
MONROE ROAD DISTRICT
OGLE COUNTY
SECTION 06-02121-01-BR
CHERRY VALLEY ROAD DISTRICT
WINNEBAGO COUNTY
 WHA # 1092D06